

Steel Sensing

Part# PRX+	4100	4400	4800
CONTACT FORM	FORM A	FORM A	FORM A
	SPST-NO	SPST	SPST
SWITCHING RATING			
VOLTS DC MAX	120	120	120
AMPS DC MAX	0.25	0.25	3.0
WATTS DC MAX	10	10	200
VOLTAGE HOLDOFF (DC) MIN.	200	200	250
INITIAL RESISTANCE (OHMS)	.15	.25	.50
OPERATING TEMP RANGE (°C)	-20 +100	-20 +100	-20 +100
D-MUST OPERATE (INCH)	0.250	0.190	0.375
D-MUST RELEASE (INCH)	0.310	0.400	0.750
WIRE COLOR/AWG	BLK/20	BLK/16	BLK/16

**STEEL
TARGET
(3.000"x
1.000"x.062")**

YES

YES

YES

**ACTUATOR
PART NO.**

STEEL
TARGET

STEEL
TARGET

STEEL
TARGET

NOTES:

Part Number **PRX+4100** Contact Form A Switch Configuration SPST Rev. B

Ferrous Metal Sensor

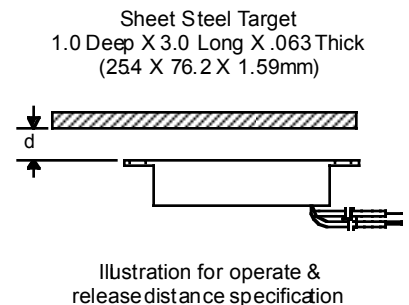
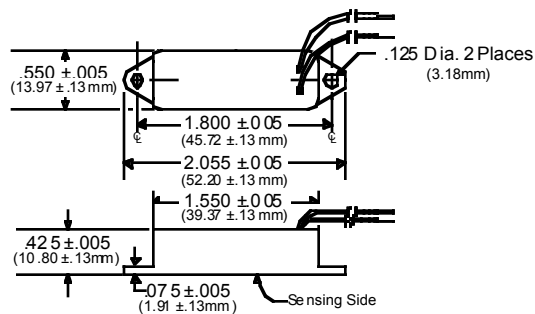
Features	Advantages
<ul style="list-style-type: none"> Hermetically sealed contacts Black ABS housing 	<ul style="list-style-type: none"> Extended operations in extreme environments Not ESD sensitive Sensing distance & opposite side sensing can be application specific Patented Design Additional housing option available Form B version available

Electrical Specifications

Power		Watts - maximum	10
Voltage	Switching	VDC - maximum	100
	Breakdown	VDC - minimum	200
Current	Switching	Amp - maximum	0.25
	Carry	Amp - maximum	TBD
Resistance	Initial Contact Resistance	Ohm - maximum	1
	Insulation Resistance	Ohm - minimum	1 E11
Capacitance	Contact	pF - typical	0.8
Temperature	Operating	°C - maximum	+80
	Storage	°C	-40 to +105

Physical/Operational Specifications

Housing Volume	Excluding Connection	CC - nominal	6.1
External Connection	20 AWG	UL 1007/1569	PVC
Must Operate	Distance (d)	Inches	0.250
Must Release	Distance (d)	Inches	0.310
Operate Time	Including Bounce	mSeconds - maximum	1.00
Release Time	Including Bounce	mSeconds - maximum	.30



- Notes:
- Specifications are not constant across entire magnetic range.
 - Customer must exercise care in handling and mounting to prevent damage to internal components and subsequent changes to sensor performance.
 - For information about performance, custom configuration (i.e. wire length or color; connectors; operational variation), or packaging contact our Sales department.
 - Information contained hereon is for informational purposes only and should not be deemed as accurate for a specific application. Consult factory for specific application information and/or latest revision.