

Basic Rack PDU **Rack PDU, Basic, 1U, 15A, 120V, (10)5-15**



APC Basic Rack PDU , Input: 120V , Input Connections: NEMA 5-15P , Cord Length: 12 feet (3.66 meters) , Output: 120V , Output Connections: NEMA 5-15R

Includes: Installation guide, Rack Mounting brackets

Standard Lead Time: Usually in Stock

AP9562 Features

19 inch Rack-Mountable	Supplies redundant AC power to connected equipment. Two AC lines power the unit and if the primary AC power fails, the unit will automatically switch to the alternate power source.
Vertical mounting capability	
Horizontal mounting capability	

Basic Rack PDU Features & Benefits

Agility	
Rack-Mountable	Includes horizontal, vertical, and toolless-mount varieties. Puts power where it is needed most - in the racks near the equipment.
Single input power source	Supply power from one branch whip to multiple pieces of equipment, conveniently powering rack-mount equipment. Saves time and money during installation by using one branch whip and standard connections.
Wide range of input and output connections	Product family includes a variety of input and output connections to distribute 120V, 208V, or 230V power to multiple outlets. Having a variety of inputs and outputs allow users to adapt to varying power requirements. APC offers units that bring up to 14.4kW using a single branch whip.
Total Cost of Ownership	
Low Cost Power Distribution	Provides a number of outlets to bring power to rack equipment at an affordable price.

Output

Nominal Output Voltage	120V
Maximum Total Current Draw per Phase	15A
Output Connections	(10) NEMA 5-15R



Input

Nominal Input Voltage	120V
Input Frequency	50/60 Hz
Regulatory Derated Input Current (North America)	12A
Input Connections	NEMA 5-15P
Cord Length	3.66 meters
Number of Power Cords	1
Maximum Input Current per phase	15A
Load Capacity	1800 VA



Physical

Net Weight	2.50 KG
Maximum Height	44.00 mm
Maximum Width	447.00 mm
Maximum Depth	57.00 mm
Shipping Weight	3.64 KG
Shipping Height	70.00 mm
Shipping Width	464.00 mm
Shipping Depth	229.00 mm
Color	Black

Environmental

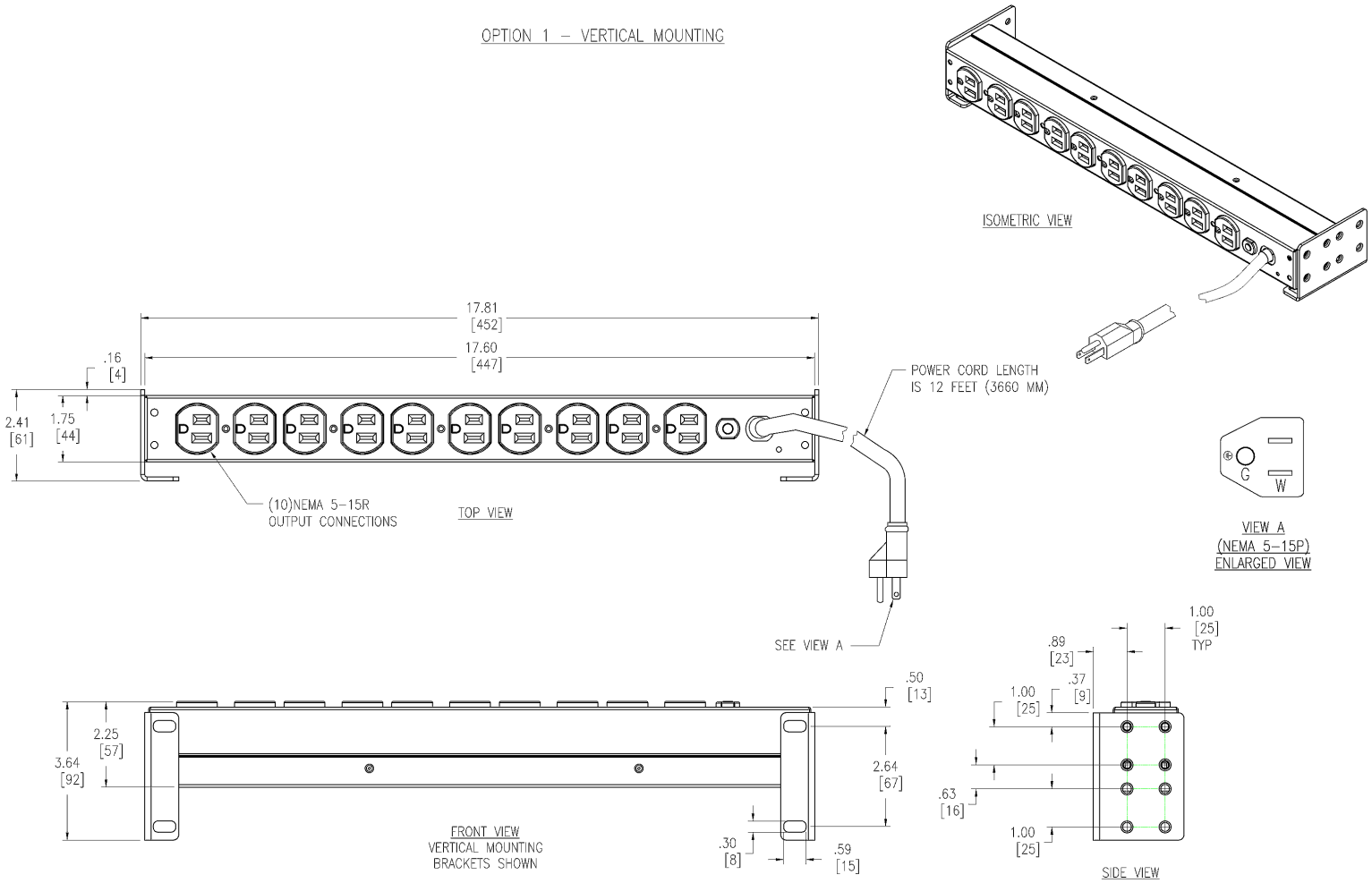
Operating Environment	-5 - 45 °C
Operating Relative Humidity	0%
Operating Elevation	0-3000 meters
Storage Temperature	-25 - 65 °C

Storage Relative Humidity	0%
Storage Elevation	0-15000 meters

Conformance

Regulatory Approvals	cUL Recognized,CSA,GOST,METI Denan,UL 1363,UL Recognized
Standard Warranty	2 years repair or replace
ROHS/WEEE Compliance	RoHS

OPTION 1 – VERTICAL MOUNTING



NOTES:

1. INSTALLATION SHALL COMPLY WITH ALL APPLICABLE NATIONAL, STATE AND LOCAL CODES.
2. PLEASE REFER TO PRODUCT DOCUMENTATION FOR FURTHER INFORMATION.
3. UNLESS OTHERWISE SPECIFIED ALL DIMENSIONS ARE IN INCHES [MILLIMETERS].
4. NET WEIGHT IS 4.82 LBS, [2.19 kg].
5. BRACKET KITS TO MOUNT TO SPECIFIC COMPETITORS RACKS ARE AVAILABLE AS OPTIONS.

THIS DRAWING AND SPECIFICATIONS HEREIN ARE THE PROPERTY OF AMERICAN POWER CONVERSION AND SHALL NOT BE COPIED, REPRODUCED OR USED IN WHOLE OR IN PART, AS THE BASIS FOR THE MANUFACTURE OR SALE OF ITEMS WITHOUT WRITTEN PERMISSION FROM APC. THIS DRAWING IS BASED UPON LATEST AVAILABLE INFORMATION AND IS SUBJECT TO CHANGE WITHOUT NOTICE.

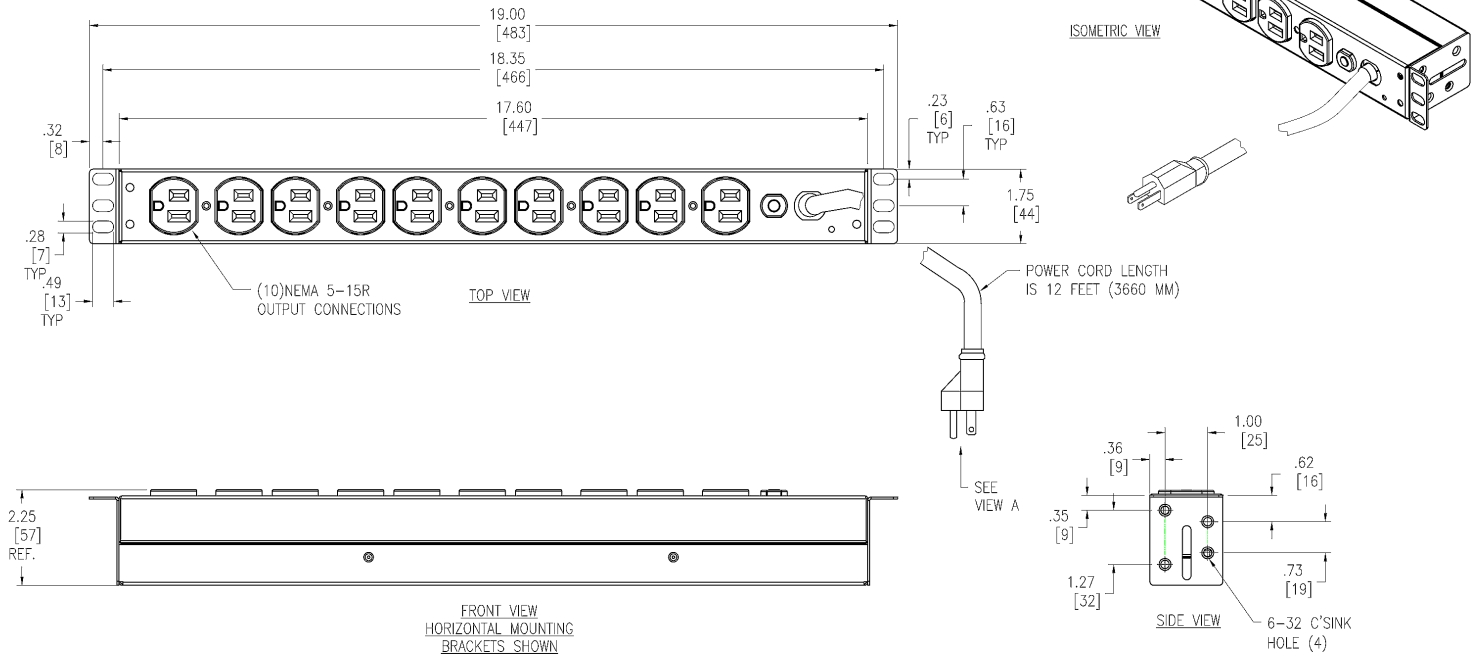


TITLE: RACK, PDU, BASIC, 1U
 INPUT: 120V, 12A, NEMA 5-15R
 OUTPUT: 120V, (10) NEMA 5-15R
 MAIN MECHANICAL—VERTICAL MOUNTING

DWG NO:	AP9562	REV:	0
DRAWN:	B ZAHN	THIRD ANGLE PROJECTION	
ENGINEER:	Y JIANG, T HORSTMANN		
APPROVED:	B SHERIDAN/S WAGH		

PROJECT: SUBMITTAL DRAWINGS SHEET 1 OF 2

OPTION 2 - HORIZONTAL MOUNTING



NOTES:

1. INSTALLATION SHALL COMPLY WITH ALL APPLICABLE NATIONAL, STATE AND LOCAL CODES.
2. PLEASE REFER TO PRODUCT DOCUMENTATION FOR FURTHER INFORMATION.
3. UNLESS OTHERWISE SPECIFIED ALL DIMENSIONS ARE IN INCHES [MILLIMETERS].
4. NET WEIGHT IS 4.82 LBS, [2.19 kg].
5. BRACKET KITS TO MOUNT TO SPECIFIC COMPETITORS RACKS ARE AVAILABLE AS OPTIONS.

THIS DRAWING AND SPECIFICATIONS HEREIN ARE THE PROPERTY OF AMERICAN POWER CONVERSION AND SHALL NOT BE COPIED, REPRODUCED OR USED IN WHOLE OR IN PART, AS THE BASIS FOR THE MANUFACTURE OR SALE OF ITEMS WITHOUT WRITTEN PERMISSION FROM APC. THIS DRAWING IS BASED UPON LATEST AVAILABLE INFORMATION AND IS SUBJECT TO CHANGE WITHOUT NOTICE.



TITLE: RACK, PDU, BASIC, 1U
 INPUT: 120V, 14A, NEMA 5-15P
 OUTPUT: (14) NEMA 5-15R
 MAIN MECHANICAL—HORIZONTAL MOUNTING

DWG NO:	AP9562	REV:	0
DRAWN:	B ZAHN	PROJECTION	ANGLE
ENGINEER:	Y JIANG/T HORSTMANN		
APPROVED:	B SHERIDAN/S WAGH		N/A

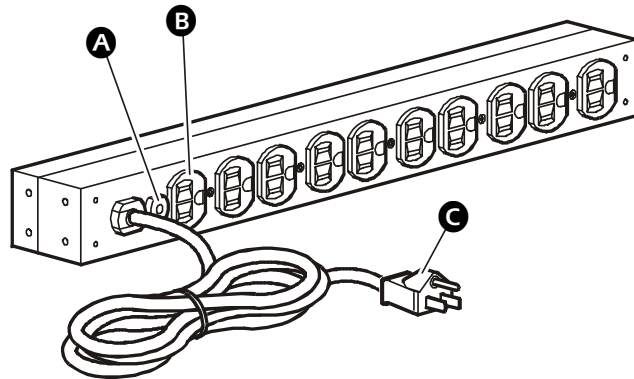
PROJECT: SUBMITTAL DRAWINGS SHEET 2 OF 2



Power Distribution Units AP9562, AP9563, and AP9564

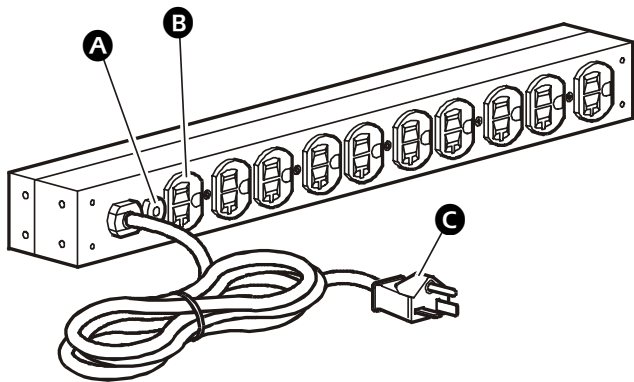
AP9562, AP9563, and AP9564 are 15- and 20-amp Rack Power Distribution Units (PDUs) that provide 120-volt power to rack-mounted equipment.

AP9562



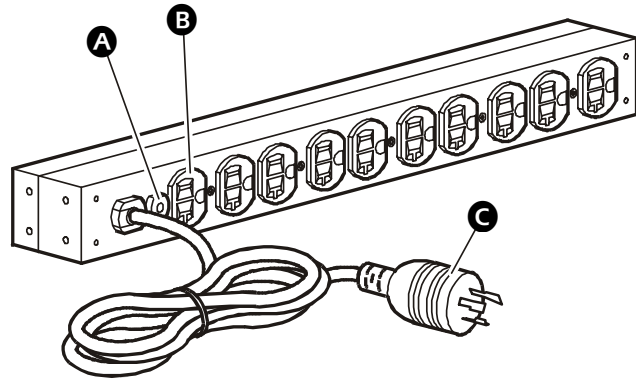
- A** 15-amp circuit breaker (1)
- B** NEMA 5-15 outlets (10)
- C** 12-foot NEMA 5-15 power cord

AP9563



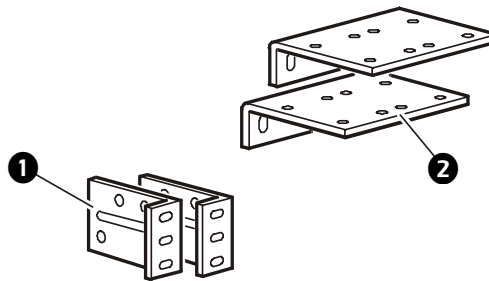
- A** 20-amp circuit breaker (1)
- B** NEMA 5-20 outlets (10)
- C** 12-foot NEMA 5-20 power cord

AP9564



- A** 20-amp circuit breaker (1)
- B** NEMA 5-20 outlets (10)
- C** 12-foot NEMA L5-20 power cord

Mounting brackets



- 1** Brackets for horizontal mounting
- 2** Brackets for vertical mounting



Note

Each PDU is packaged with two types of mounting brackets (for horizontal and vertical mounting). Choose your mounting orientation and attach the appropriate brackets to the PDU for installation.

Specifications

	AP9562	AP9563	AP9564
Electrical			
Input voltage range	100–120 V		
Maximum current draw	15 A	20 A	20 A
Physical			
Size (h×w×d)	1.75×17.6×2.25 in (4.45×44.7×5.72 cm)		
Shipping size (h×w×d)	2.75×18.25×9.0 in (6.99×46.35×22.86 cm)		
Weight	5.5 lb (2.5 kg)		
Shipping weight	8.0 lb (3.6 kg)		
Environmental			
Elevation (above MSL)	Operating: 0–10,000 ft (0–3000 m) Storage: 0–50,000 ft (0–15 000 m)		
Relative humidity	Operating: 0 to 95%, non-condensing Storage: 0 to 95%, non-condensing		
Temperature	Operating: 23 to 113° F (–5 to 45° C) Storage: –13 to 149° F (–25 to 65° C)		
Compliance			
Safety	UL/cUL Recognized; UL 1363		