

- Back**
- o Flat Cable Connectors SEK
 - o *har-mik*@
 - o D-Sub
 - o InduCom

• **Applications**

Product details

09 56 200 5601
High density cable connector

Gender	Male High Density
Termination	Crimp
Number of contacts	26
Flange	through hole 3.1 mm
Shell	tinned metal shell with dimples
Insulation material	PBTP
Contact configuration	contacts must be order separately
RoHS compliant	Yes

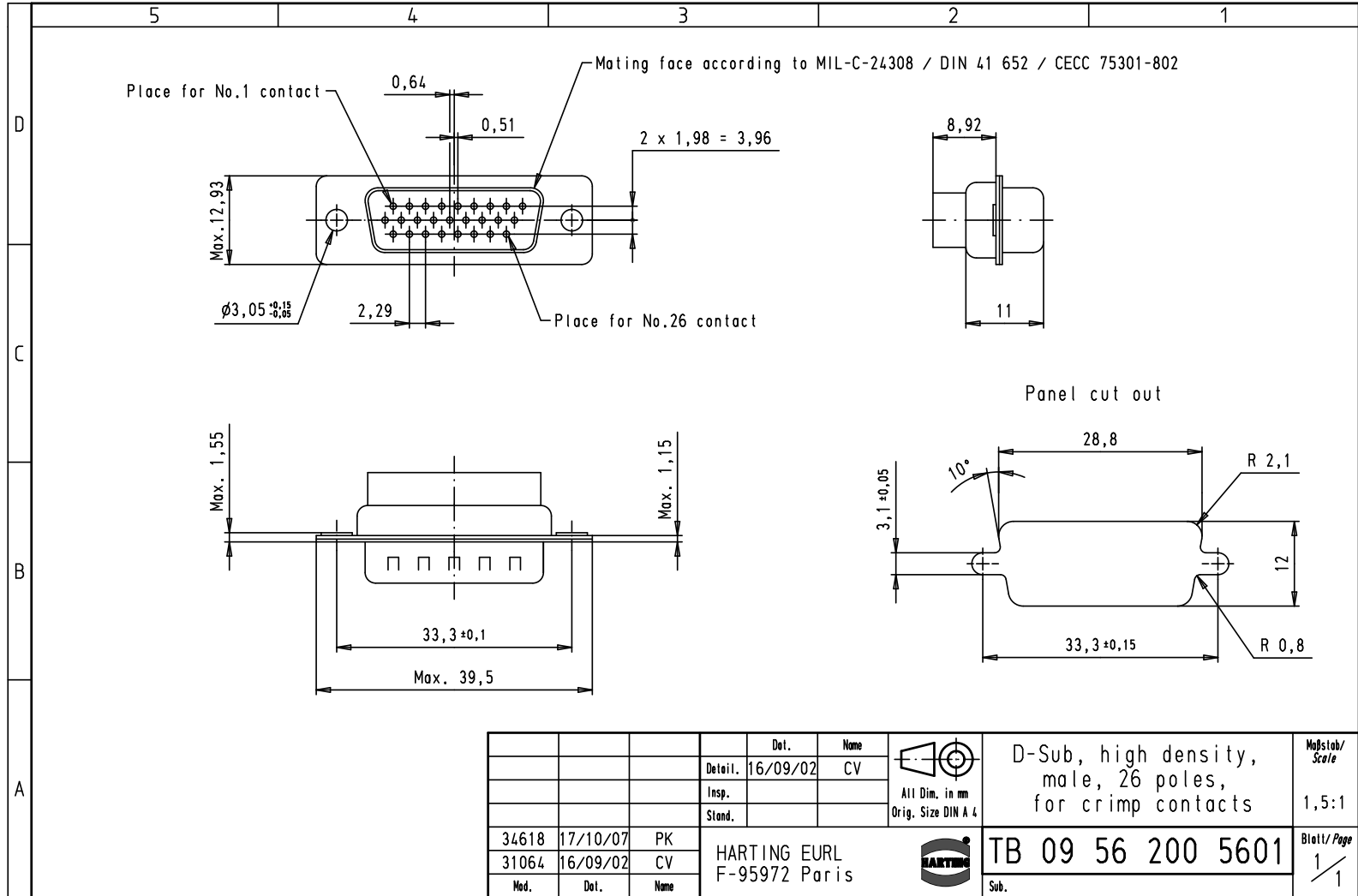
Inquiry



Available Downloads

Title	Format	
Data sheet	PDF	download
CAD data 2D	DXF	download

Product news

Alle Rechte vorbehalten / All rights reserved



				Det.	Name	 All Dim. in mm Orig. Size DIN A 4	D-Sub, high density, male, 26 poles, for crimp contacts	Maßstab/ Scale 1,5:1
			Detail.	16/09/02	CV			
			Insp.					
			Stand.					
34618	17/10/07	PK	HARTING EURL				TB 09 56 200 5601	Blatt/ Page 1 / 1
31064	16/09/02	CV	F-95972 Paris					
Mod.	Det.	Name				Sub.		