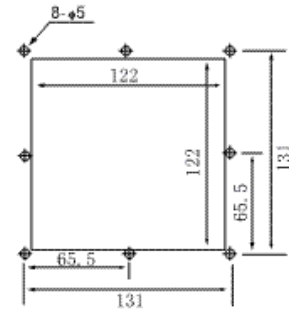
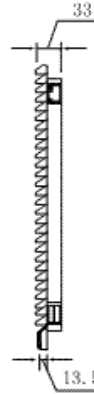
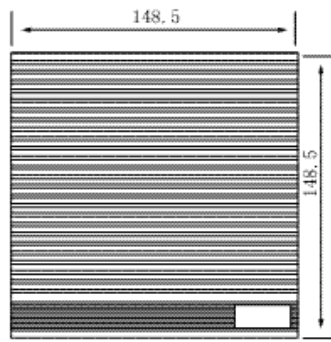


# Louvered Fan Guards

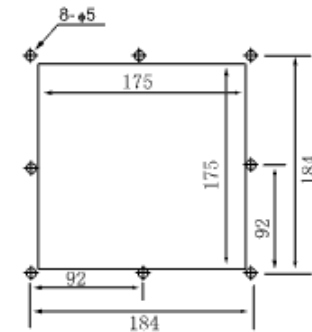
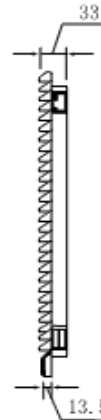
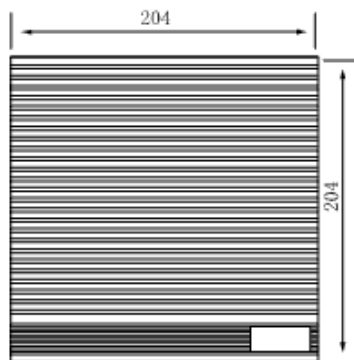


Filter Kits for 120mm (4.7"),  
172mm (6.7") & 254mm (10") Fans

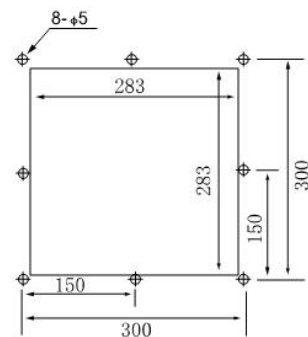
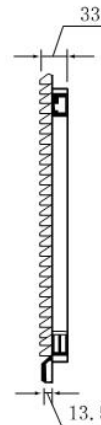
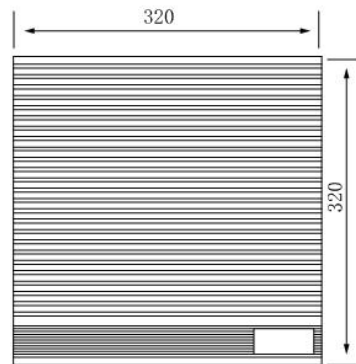
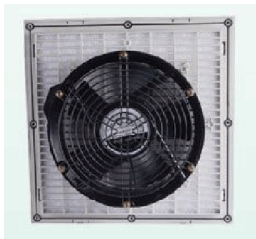
**LFG120B**  
Filter kit for  
120mm fan



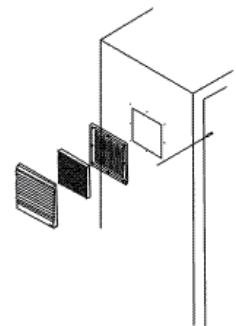
**LFG172B**  
Filter kit for  
172mm fan



**LFG254B**  
Filter kit for  
254mm fan



| Part Number          | LFG120B   | LFG172B | LFG254B |
|----------------------|---|---------|---------|
| Frame Description    | ABS Resin - flame resistant UL94V-0, Vents with screens at 45-degree angle. High foam sealing edge available by special order - protection grade IP44-IP54. |         |         |
| Filter Mesh Material | Nylon Fiber - Synthetic Resin, filters to 8 microns.  |         |         |
| Color                | Black is standard. Gray is available on request. To specify gray remove "B" from part number. Minimums may apply.   |         |         |



10557 Metric Drive  
Dallas, Texas 75243

OrionFans.com

Information and data is subject to  
change without prior notification.