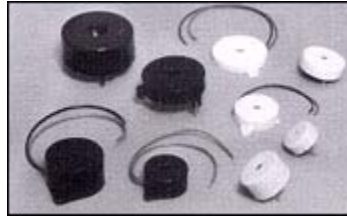


## PIEZO ELECTRIC ALARM WITH INTERNAL CIRCUITRY



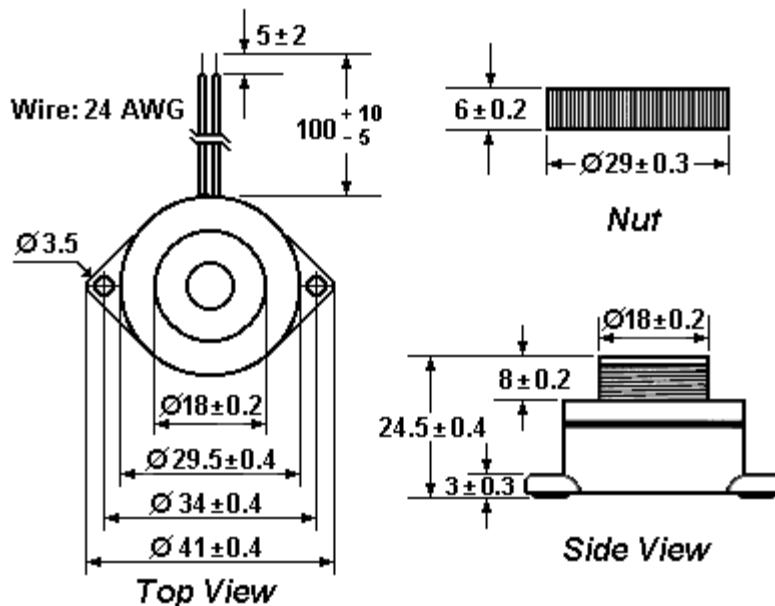
ROHS COMPLIANT

**PART NUMBER:**  
**BRP3025L-12-C**

### SPECIFICATIONS:

RATED VOLTAGE:	12 VDC
OPERATING VOLTAGE:	1.5 ~ 16 V
MAX CURRENT:	15 mA
SOUND OUTPUT LEVEL:	95dB @30CM
TERMINAL TYPE:	2 LEADWIRES
RESONANT FREQUENCY:	3500 ± 500 Hz
OPERATING TEMPERATURE:	-20 TO +60 °C
TONE MODE:	CONTINUOUS
FRAME DIAMETER:	29.5 mm
FRAME DEPTH:	24.5 mm
MOUNTING DIMENSIONS:	34.0 mm

**DIMENSIONS:**



**FREQUENCY RESPONSE:**

