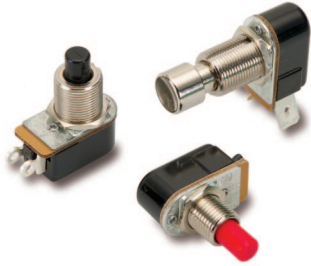


## P26-Series Pushbutton Switches



The P26-Series pushbutton switches are single pole, AC rated for 8 amps at 125 VAC and suitable for shallow back panel applications. These switches are momentary action with a medium actuation force (13 oz. typical). The P26-Series switch is equipped with a slow-make, slow-break contact mechanism. Typical applications include usage for an Alarm or Warning Device, as well as Test and Measurement Equipment.

### Dielectric Strength

UL/CSA: 1000V - live to dead metal parts

### Electrical Life

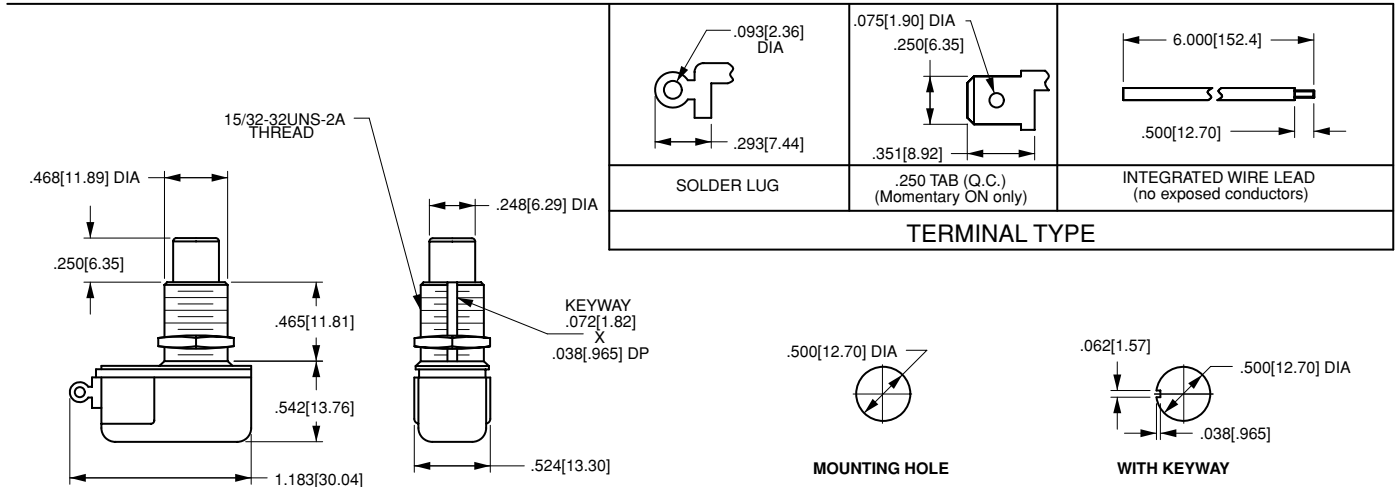
25,000 cycles

### Mechanical Life

100,000 cycles

### Operating Temperature

32°F to 85°F (0°C to +85°C)



**P26L - 1D - BL**

1 Base Part Number

2 Bushing Style

3 Button Style/Color

1 BASE PART NUMBER: SERIES/POLES/CIRCUITRY/RATING <sup>1</sup> /TERMINATION				2 BUSHING STYLE		3 BUTTON STYLE/COLOR	
<i>Single Pole</i>	<i>solder lug</i>	<i>.250 tab</i>	<i>wire leads</i>	<i>length</i>	<i>diameter</i>	<b>BL</b>	black nylon
<b>3A 250VAC, 6A 125 VAC, 3/4A 125V</b>	<b>P26A</b>	<b>P26B</b>	<b>P26F</b>	<b>1A</b>	.406	<b>RD</b>	red nylon
OFF - (ON)	<b>P26L</b>	-	<b>P26T</b>	<b>1B</b>	.406	<b>RND MTL</b> <sup>2</sup>	round metal
ON - (OFF)				<b>1C</b>	.465	<b>CON MTL</b> <sup>2</sup>	concave metal
<b>3A 277VAC, 6A 125 VAC</b>	<b>P267A</b>	<b>P267B</b>	<b>P267F</b>	<b>1D</b>	.465		
OFF - (ON)	<b>P267L</b>	-	<b>P267T</b>				
ON - (OFF)							

### NOTES

<sup>1</sup> Only available with 1D bushing in .502 length.

( ) Indicates momentary function.