

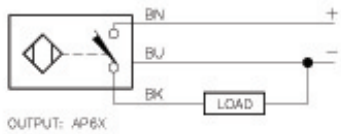
# Inductive Sensors



Housing Style	Part Number	ID Number	Features	Sensing Range (mm)	Output
<b>12 mm - Non-Embeddable, Potted-In Cable</b> 	Ni 4-M12-AD4X	T4405200		4	2-Wire DC
	Ni 8-M12-AD4X	T4411235	<i>Extended Range</i>	8	
	Ni 8-M12-AD4X/S90	T4411235-1	<i>Extended Range</i>	8	
	Ni 4-M12-AN6X	T4606380		4	3-Wire DC NPN
	Ni 8-M12-AN6X	T4611318	<i>Extended Range</i>	8	
	Ni 8U-EM12-AN6X	M1644320	<i>Ext. Range, Uprox</i>	8	
	Ni 8U-M12-AN6X	M1644120	<i>Ext. Range, Uprox</i>	8	
	Ni 4-M12-AP6X	T4605200		4	3-Wire DC PNP
	Ni 4-M12-AP6X/S100	M4605201	<i>High Temp. 100°C</i>	4	
	Ni 8-M12-AP6X	T4611319	<i>Extended Range</i>	8	
	Ni 8U-EM12-AP6X	M1644300	<i>Uprox</i>	8	
	Ni 8U-M12-AP6X	M1644100	<i>Uprox</i>	8	
	Ni 4-M12-VN6X	T1640400	<i>Ext. Range, Comp. Output</i>	4	4-Wire DC NPN
	Ni 8-M12-VN6X	T4611321	<i>Ext. Range, Comp. Output</i>	8	
	Ni 4-M12-VP6X	T1630400	<i>Ext. Range</i>	4	4-Wire DC PNP
	Ni 8-M12-VP6X	T4611322	<i>Ext. Range, Comp. Output</i>	8	

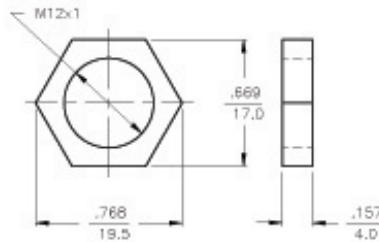
Voltage	Switching Freq. (Hz)	Operating Current (mA)	Operating Temp. (°C)	Protection	Housing	Face	End Cap	Power LED	Output LED	Cable Length/ Cable /Mat.	Wiring Diagram #	Wiring Diagrams
10-65 VDC	1000	≤100	-25 to +70	IP 67	CPB	PA 12	EPTR	N/A	YE	2M/PVC	1	<b>Diagram 1</b> 
	1000	≤100	-25 to +70	IP 67	CPB	PA 12	EPTR	N/A	YE	2M/PVC	1	
	1000	≤100	-25 to +70	IP 67	CPB	PA 12	EPTR	N/A	YE	2M/PUR	1	
10-30 VDC	2000	≤200	-25 to +70	IP 67	CPB	PA 12	EPTR	N/A	YE	2M/PVC	2	<b>Diagram 2</b> 
	2000	≤200	-25 to +70	IP 67	CPB	PA 12	EPTR	N/A	YE	2M/PVC	2	
	2000	≤200	-30 to +85	IP 68	SS	PA 12	EPTR	N/A	YE	2M/PVC	2	
	2000	≤200	-30 to +85	IP 67	CPB	PA 12	EPTR	N/A	YE	2M/PVC	2	
10-30 VDC	2000	≤200	-25 to +70	IP 67	CPB	PA 12	EPTR	N/A	YE	2M/PVC	3	<b>Diagram 3</b> 
	2000	≤200	-25 to +100	IP 67	CPB	PA 12	EPTR	N/A	YE	2M/PVC	3	
	2000	≤200	-25 to +70	IP 67	CPB	PA 12	EPTR	N/A	YE	2M/PVC	3	
	2000	≤200	-30 to +85	IP 68	SS	PA 12	EPTR	N/A	YE	2M/PVC	3	
	2000	≤200	-30 to +85	IP 67	CPB	PA 12	EPTR	N/A	YE	2M/PVC	3	
10-30 VDC	2000	≤200	-25 to +70	IP 67	CPB	PA 12	EPTR	N/A	YE	2M/PVC	4	<b>Diagram 4</b> 
	2000	≤200	-25 to +70	IP 67	CPB	PA 12	EPTR	N/A	YE	2M/PVC	4	
10-30 VDC	2000	≤200	-25 to +70	IP 67	CPB	PA 12	EPTR	N/A	YE	2M/PVC	5	<b>Diagram 5</b> 
	2000	≤200	-25 to +70	IP 67	CPB	PA 12	EPTR	N/A	YE	2M/PVC	5	

WIRING DIAGRAM



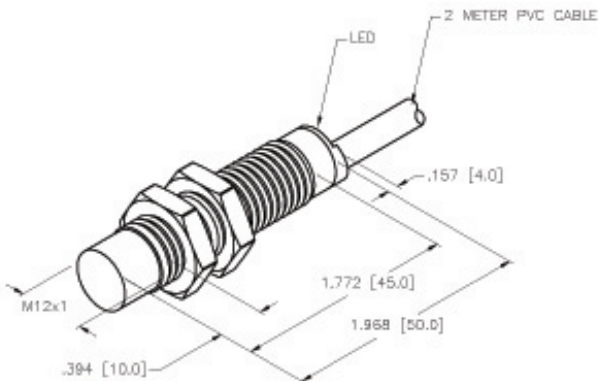
SHORT-CIRCUIT AND OVERLOAD PROTECTED

LOCKNUT LN-M12



SPECIFICATIONS

RATED OPERATING DISTANCE	8mm [.315]
MOUNTING MODE	NON-FLUSH, PARTIALLY FLUSH MOUNTABLE
TEMPERATURE DRIFT	≤±10% ≤±15%, ≤-25°C v ≥+70°C
HYSTERESIS	3-15%
MIN. REPEAT ACCURACY	≤2%
OPERATING TEMPERATURE	-30°C to +85°C (-22°F to +185°F)
RATED OPERATIONAL VOLTAGE	10-30 VDC
MAX. RIPPLE	≤10%
DC RATED OPERATIONAL CURRENT	≤200 mA
NO-LOAD CURRENT	≤15 mA
RESIDUAL CURRENT	≤0.1 mA
RATED INSULATION VOLTAGE	≤0.5 kV
SHORT-CIRCUIT PROTECTION	YES
MAX. VOLTAGE DROP	≤1.8 V
WIRE BREAKAGE PROTECTION	INCORPORATED
REVERSE POLARITY PROTECTION	INCORPORATED
OUTPUT FUNCTION	3-WIRE, NORMALLY OPEN, PNP
MAX. SWITCHING FREQUENCY	≤2 kHz
HOUSING MATERIAL	BRASS, CHROME PLATED
ACTIVE FACE MATERIAL	PLASTIC, PBT
END CAP MATERIAL	PLASTIC, EPTR
CABLE	Ø5.2, LITZY, PVC, 2 METER LENGTH
VIBRATION RESISTANCE	55 Hz (IN ALL 3 PLANES)
SHOCK RESISTANCE	30 g, 11 ms
DEGREE OF PROTECTION	IP 67
SWITCHING STATUS INDICATION	LED, YELLOW



RELATED DOCUMENTS 1. 2. 3. 4.	3RD ANGLE PROJECTION 	THIS DRAWING IS PROPERTY OF TURCK INC. USE OF THIS DOCUMENT WITHOUT WRITTEN PERMISSION IS PROHIBITED.		<b>TURCK INC</b> High Technology Sensors and Automation Controls	
MATERIAL	TOLERANCES UNLESS OTHERWISE SPECIFIED	DWGT RDS	DATE 10/27/04	DESCRIPTION NI 8U-M12-AP6X	
FINISH	±0.0394 in [±1.00 mm]	USGN RT	SCALE 1=1.0	IDENTIFICATION NO. M1644100	
A DRAWING RELEASE	RDS 10/27/04	UNIT OF MEASUREMENT <b>INCH [ MILLIMETER ]</b>		REV A	
REV DESCRIPTION	BY DATE EDO NO.	DO NOT SCALE THIS DRAWING		FILE: M1644100	SHEET 1 OF 1