



Home > Products > Product Page

71898



Halogen Swivel Mount Lamp, 4 in x 6 in [101,6 mm x 152,4 mm], Wide Flood Beam Pattern, 12 Vdc/50 W/4 A

Actual product appearance may vary.

Features

- Halogen heavy duty and composite off-highway lamps
- Wide variety of types and sizes, with a complete selection of beam patterns and mounting configurations available to suit almost any application
- Sealed beam replacement lamps
- Composite halogen lights
- Halogen heavy duty and composite off-highway lamps
- Halogen swivel-mount lamps
- Marine lights

Potential Applications

- Recreational Vehicles, including ATVs and snowmobiles
- Construction Equipment
- Agricultural, including tractors and combines
- Golf carts
- Scissor/Platform Lifts
- Farm machinery
- Marine

Description

Hobbs produced the first halogen sealed beams for agricultural use in the early 1980s and has manufactured more than 25 million incandescent and halogen lamps for use in some of the most rugged working environments imaginable. Because they are designed for use in heavy construction and farming equipment, they are also designed to take shock, vibration, and other extreme service conditions in stride. A wide variety of types and sizes, with a complete selection of beam patterns and mounting configurations are available to suit almost any off-road application.

The Hobbs product line includes halogen sealed beams, composites, custom designer lights, specialty lighting and indicator modules for vehicular and non-vehicular applications.

Product Specifications	
Lamp Type	Halogen Swivel Mount Lamps
Size	4 in x 6 in [102 mm x 152 mm]
Beam Pattern	Wide Flood
Sealing	IP67
Electrical Rating	12 Vdc/50 W/4 A
Mounting	Stud, 1/2 in [12,7 mm] Ø
Termination	Hollow Stud, Two 6 in Wires
Agency Approvals and Standards	UL, CE, CSA
Availability	Global
UNSPSC Code	25172900
Series Name	Halogen Swivel Mount

HALOGEN SWIVEL MOUNT LAMPS

Halobbs offers a full line of heavy-duty halogen off-highway vehicle lamps to keep equipment moving long after the sun has set. Our halogen lamp housings are constructed of durable, vibration resistant materials. The securing hardware is zinc plated steel with a black dichromate coating. Reflectors are vacuum metalized. The borosilicate glass lenses are highly resistant to cracking, especially when subjected to extreme temperature changes.



Wattages available:

12 Volt 3x5 version--

- 35W
- 35/35W
- 50W

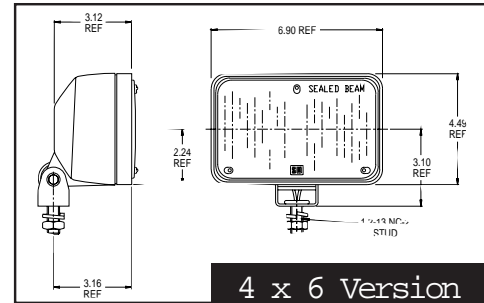
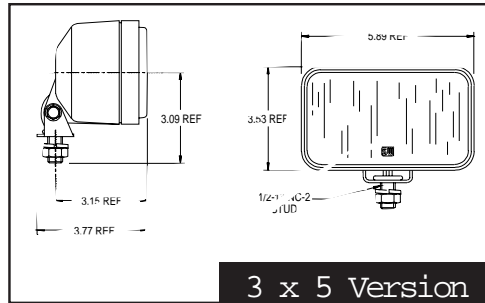
12 Volt 4x6 version--

- 35W
- 35/65W
- 50W
- 60W

24 Volt 4x6 version--

- 60W

- Optional stainless steel hardware available
- Various terminations available per customer's request.



Extended Eyebrow Version

This lamp is designed for mounting on the top of a cab (stud up) or on a fender (stud down). The extended eyebrow version of this lamp reduces the amount of glare on the cab windows. The sturdy steel bracket permits easy adjustments of direction.

Size	Rated Voltage	Wattage	Beam Pattern	Termination	Part #
3x5	12V	35W	Wide Flood 80°x30°	Hollow Stud (2) 6" Wires	73766
3x5	12V	35W	Narrow Flood 55°x30°		73767
3x5	12V	35W	Trap 35°x35°		73768
3x5	12V	35W	Spot		73764
3x5	12V	50W	Wide Flood 80°x30°		73761
3x5	12V	50W	Narrow Flood 55°x30°		73762
3x5	12V	50W	Trap 35°x35°		73763
3x5	12V	50W	Spot		73764
4x6	12V	50W	Wide Flood 80°x30°		71898
4x6	12V	50W	Narrow Flood 55°x30°		74001
4x6	12V	50W	Trap 35°x35°		71915
4x6	12V	50W	Spot		71902
4x6	12V	35/65W	Hi/Lo Driving		75237
4x6	24V	60W	Wide Flood 80°x30°		72540
4x6	24V	60W	Narrow Flood 55°x30°		75109
4x6	24V	60W	Trap 35°x35°		72542
4x6	24V	60W	Spot	72544	