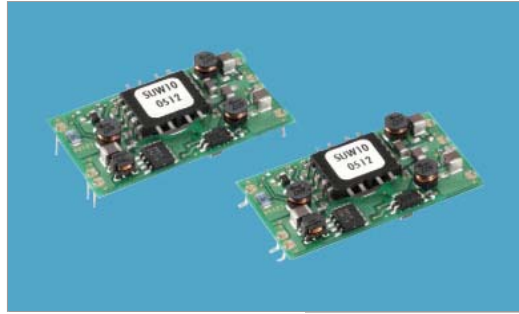


[Home](#) > Product Details

## SUW10



### Features

- High reliability : not built-in aluminum and tantalum electrolytic capacitor
- SMD mounting type and through-hole mounting type
- High efficiency (synchronous rectifier circuit)
- Built-in Over Current Protection
- RoHS Compliant

### Safety Agency Approvals

UL1950, C-UL, EN60950

### CE Markings

Low Voltage Directive

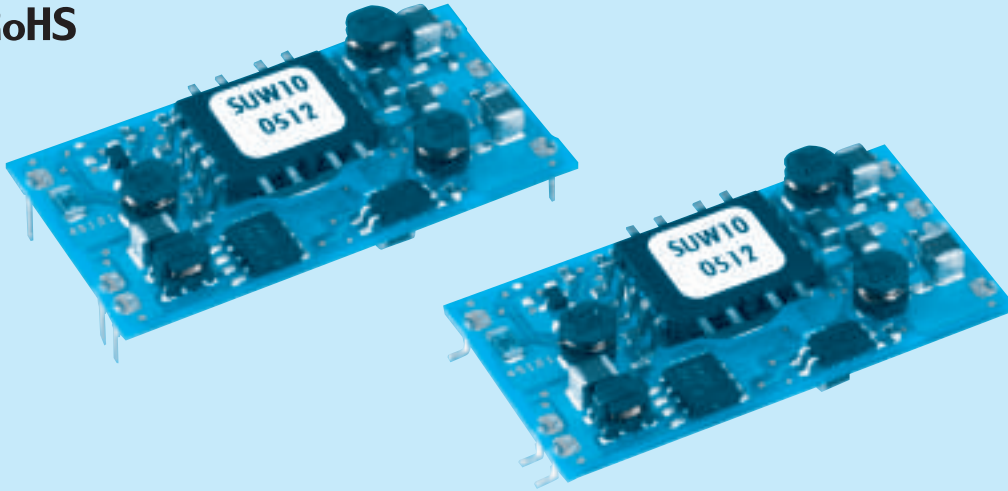
**5 year warranty(refer to Instruction Manual)**

Model	Input Voltage [V]	Output Wattage [W]	DC Output [V/A]
SUW100512	DC 4.5 - 9	10.8	-12 - 24V 0.45A
SUW100515	DC 4.5 - 9	10.5	-15 - 30V 0.35A
SUW101212	DC 9 - 18	10.8	-12 - 24V 0.45A
SUW101215	DC 9 - 18	10.5	-15 - 30V 0.35A
SUW102412	DC 18 - 36	10.8	-12 - 24V 0.45A
SUW102415	DC 18 - 36	10.5	-15 - 30V 0.35A
SUW104812	DC 36 - 76	10.8	-12 - 24V 0.45A
SUW104815	DC 36 - 76	10.5	-15 - 30V 0.35A

SU W 10 12 12 B P - □

① ② ③ ④ ⑤ ⑥ ⑦ ⑧


  
**RoHS**



- ① Series name
- ② Dual output
- ③ Output wattage
- ④ Input voltage
- ⑤ Output voltage
- ⑥ Mounting type  
B : SMD  
C : DIP
- ⑦ Packing form  
Blank: Plastic cover  
P : Pallet (SMD type)
- ⑧ Optional  
G : Capacitor between  
Input and Output is  
removed.

MODEL	SUW100512	SUW100515	SUW101212	SUW101215	SUW102412	SUW102415	SUW104812	SUW104815
<b>MAX OUTPUT WATTAGE[W]</b>	10.8	10.5	10.8	10.5	10.8	10.5	10.8	10.5
<b>DC OUTPUT</b>	VOLTAGE[V] *1	±12 or +24	±15 or +30	±12 or +24	±15 or +30	±12 or +24	±15 or +30	±12 or +24
	CURRENT[A]	0.45	0.35	0.45	0.35	0.45	0.35	0.45

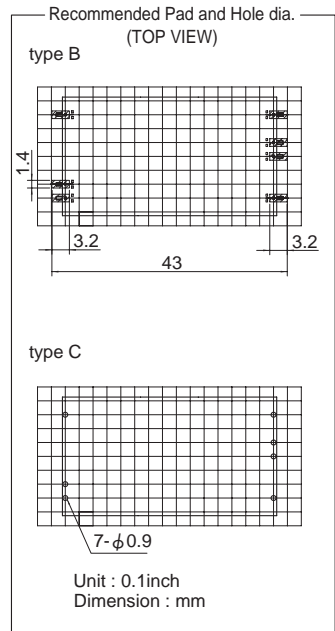
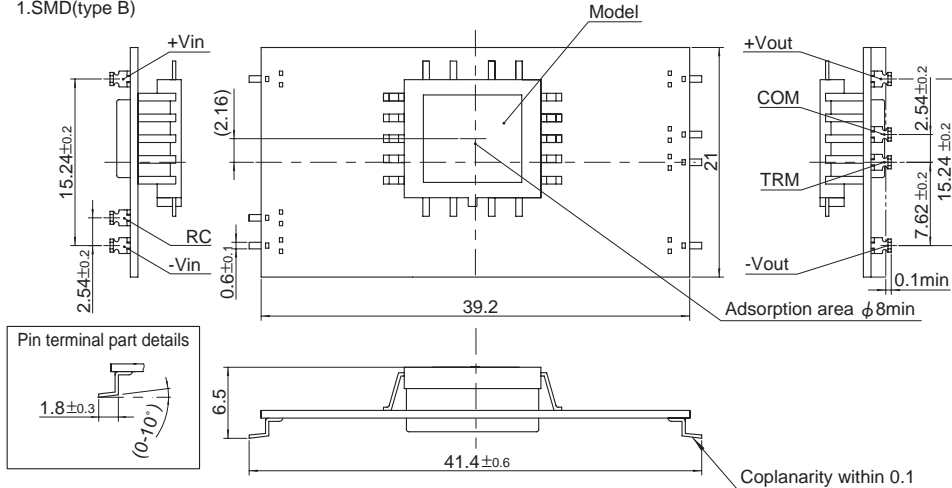
## SPECIFICATIONS

	MODEL	SUW100512	SUW100515	SUW101212	SUW101215	SUW102412	SUW102415	SUW104812	SUW104815	
<b>INPUT</b>	<b>VOLTAGE[V]</b>	DC4.5 - 9		DC9 - 18		DC18 - 36		DC36 - 76		
	<b>CURRENT[A]</b> *2	2.51typ	2.44typ	1.05typ	1.02typ	0.523typ	0.509typ	0.262typ	0.254typ	
	<b>EFFICIENCY[%]</b> *2	86typ	86typ	86typ	86typ	86typ	86typ	86typ	86typ	
<b>OUTPUT</b>	<b>VOLTAGE[V]</b>	±12(+24)	±15(+30)	±12(+24)	±15(+30)	±12(+24)	±15(+30)	±12(+24)	±15(+30)	
	<b>CURRENT[A]</b>	0.45	0.35	0.45	0.35	0.45	0.35	0.45	0.35	
	<b>LINE REGULATION[mV]</b>	60max	75max	60max	75max	60max	75max	60max	75max	
	<b>LOAD REGULATION[mV]</b>	600max	750max	600max	750max	600max	750max	600max	750max	
	<b>RIPPLE[mVp-p]</b>	-20 to +55°C *3	120max	120max	120max	120max	120max	120max	120max	120max
		-40 to -20°C *3	150max	150max	150max	150max	150max	150max	150max	150max
	<b>RIPPLE NOISE[mVp-p]</b>	-20 to +55°C *3	150max	150max	150max	150max	150max	150max	150max	150max
		-40 to -20°C *3	200max	200max	200max	200max	200max	200max	200max	200max
	<b>TEMPERATURE REGULATION[mV]</b>	-20 to +55°C	150max	180max	150max	180max	150max	180max	150max	180max
		-40 to +55°C	240max	290max	240max	290max	240max	290max	240max	290max
<b>DRIFT[mV]</b> *4	50max	60max	50max	60max	50max	60max	50max	60max		
<b>START-UP TIME[ms]</b>	20max (Minimum input, Io=100%)									
<b>VOLTAGE ADJUSTMENT RANGE</b>	Fixed (TRM pin open) ±5% adjustable by external VR									
<b>VOLTAGE SETTING[V] (±5%)</b>	11.40 - 12.60	14.25 - 15.75	11.40 - 12.60	14.25 - 15.75	11.40 - 12.60	14.25 - 15.75	11.40 - 12.60	14.25 - 15.75		
<b>PROTECTION CIRCUIT AND OTHERS</b>	<b>OVERCURRENT PROTECTION</b>	Works over 105% of rating and recovers automatically								
	<b>REMOTE ON/OFF</b>	Provided (Negative logic L : ON, H : OFF)								
<b>ISOLATION</b>	<b>INPUT-OUTPUT</b>	AC500V 1minute, Cutoff current = 10mA, DC500V 50MΩ min (20±15°C)								
<b>ENVIRONMENT</b>	<b>OPERATING TEMP., HUMID. AND ALTITUDE</b>	-40 to +85°C, 20 - 95%RH (Non condensing) (Required Derating), 3,000m (10,000feet) max								
	<b>STORAGE TEMP., HUMID. AND ALTITUDE</b>	-40 to +100°C, 20 - 95%RH (Non condensing), 9,000m (30,000feet) max								
	<b>VIBRATION</b>	10 - 55Hz, 98.0m/s <sup>2</sup> (10G), 3minutes period, 60minutes each along X, Y and Z axis								
	<b>IMPACT</b>	490.3m/s <sup>2</sup> (50G), 11ms, once each along X, Y and Z axis								
<b>SAFETY</b>	<b>AGENCY APPROVALS</b>	UL60950-1, C-UL, EN60950-1								
<b>OTHERS</b>	<b>CASE SIZE/WEIGHT</b>	39.2×6.5×21.0mm (W×H×D) / 6g max								
	<b>COOLING METHOD</b>	Convection/Forced air								

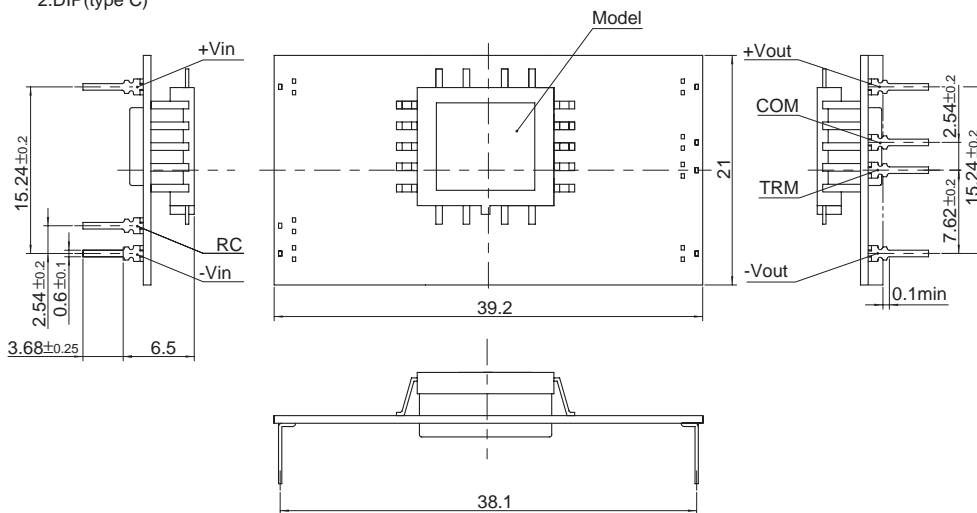
\*1 Output pins can be connected in series to make a 24V/30V output.  
 \*2 Rated input 5V, 12V, 24V or 48V DC Io=100%  
 \*3 Ripple and Ripple Noise is measured by using measuring board with capacitor with in 25mm from output pin terminals.  
 \*4 Drift is the change in DC output for an eight hour period after a half-hour warm-up at 25°C.  
 \* Parallel operation with other model is not possible.

External view

1.SMD(type B)



2.DIP(type C)



- ※ Tolerance ±0.5
- ※ Dimensions in mm
- ※ Pin terminal thickness : 0.3±0.1
- ※ Pin terminal material : Copper alloy
- ※ Plating treatment of terminal : Lead free plating
- ※ Mass 6g less