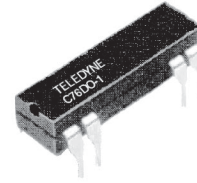
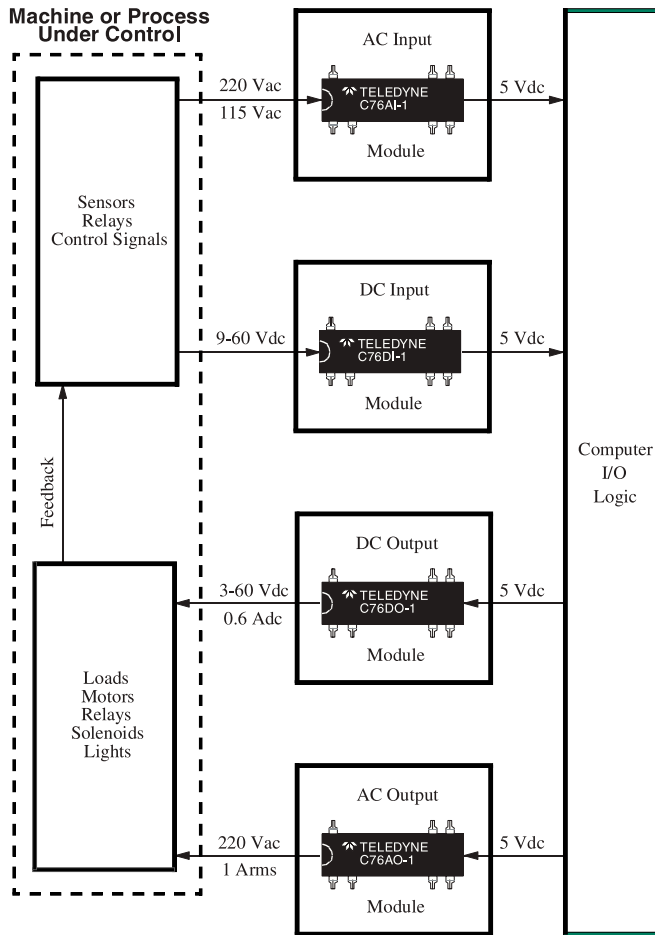


C76 I/O INTERFACE SYSTEM



APPLICATIONS

- Robotics
- Programmable Controllers
- Process Control
- Machine Tool Control
- Energy Management
- Automatic Test Equipment

FEATURES/BENEFITS

- Input Enable Function: For computer timing function control.
- Floating Outputs: Eliminates ground loops and signal noise. Protects computer I/O and logic circuits
- Low Off-State Leakage: High off-state impedance
- Switches/Controls High Voltages: To 250 Vrms
- Switches/Controls High Currents: To 1.0 Arms
- High Noise Immunity: Control signals isolated from switching noise
- High Dielectric Strength: Safety and protection of control and signal level circuits

DESCRIPTION

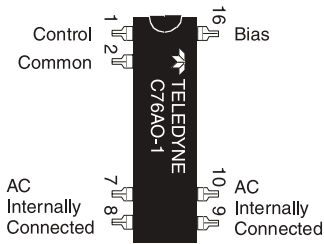
The Series C76 solid-state computer input/output modules are designed expressly for application in computerized control systems where reliable noise-free interface of switching is required to isolate computer logic elements from high conducted noise encountered in industrial environments. Sensitive logic circuitry is kept noise-free by means of optical isolation between logic and power lines.

Output modules allow either TTL or CMOS level signals to control the switching of power to high voltage and high current loads. Hysteresis at the input significantly increases the noise margin when used in the CMOS input mode, preventing false triggering in noisy environments

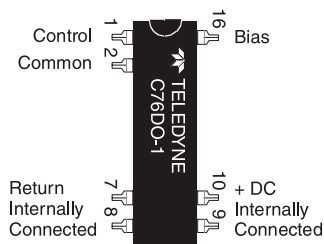
Input modules convert the presence or absence of load level voltages from pressure, flow, temperature and other transducers, limit switches, solenoids or relays to "clean" low level logic signals for computer input. An ENABLE function maintains the module's output in an "open" state until the ENABLE terminal is brought up to the bias supply level.

Part Number	Type	Characteristics
C76AO-1	AC Output	3.8 to 16 Vdc Input 5 to 250 Vrms, 1 A Output
C76AI-1	AC Input	90 to 250 Vrms Input 0 to 60 Vdc, 100 mA Output
C76DO-1	DC Output	3.8 to 16 Vdc Input 3 to 60 Vdc, 0.6 A Output
C76DI-1	DC Input	9 to 60 Vdc Input 0 to 60 Vdc, 100 mA Output

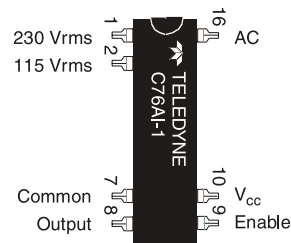
PIN CONFIGURATIONS



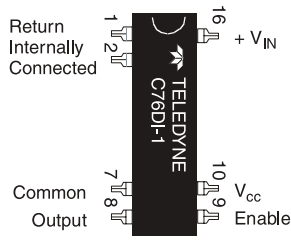
C76AO-1



C76DO-1



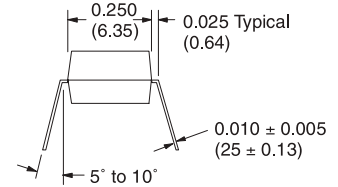
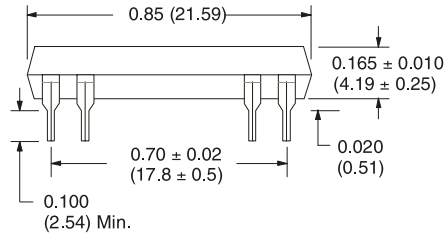
C76AI-1



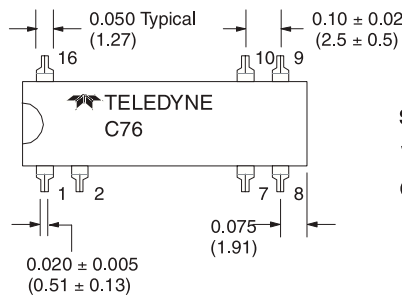
C76DI-1

(TOP VIEW)

MECHANICAL SPECIFICATION



DIMENSIONS ARE SHOWN IN INCHES (MILLIMETERS)
Tolerances (unless otherwise specified) ± 0.015 (0.38)



Operating Temperature Range: -40°C to 85°C

Storage Temperature Range: -40°C to 100°C

Weight: 2.0 gm. maximum

Case: Special 16 pin dual In line, filled epoxy.

TRUTH TABLE FOR ENABLE FUNCTION

V_{IN}^1	ENABLE ²	OUTPUT ³
0	0	0
1	0	0
0	1	0
1	1	1

1. For C76AI-1:

When using 115 Vrms input, V_{IN} is a "1" when the voltage is ≥ 90 Vrms
When using 220 Vrms input, V_{IN} is a "1" when the voltage is ≥ 180 Vrms

2. For C76AI-1 and C76DI-1:

The Enable input is a "1" when the Enable voltage V_E is ≥ 2.0 Vdc.
The Enable input is a "0" when the Enable voltage V_E is ≤ 0.4 Vdc.

3. A "0" represents an open output switch.

A "1" represents a closed output switch.

NOTE:

When used in the CMOS input configuration, the C76AO-1 and the C76DO-1 provide inversion. When the input voltage is 0.5 Vdc or less the output will be guaranteed "On". When the input voltage is 2.8 Vdc or more the output will be guaranteed "Off".

INPUT (CONTROL) SPECIFICATIONS

Parameter	Min	Max	Units	
Control Voltage Range	$V_{IN} = 115$ Vrms	90	135	Vrms
	$V_{IN} = 220$ Vrms	180	250	Vrms
Input Current	$V_{IN} = 115$ Vrms	3.5	mA	
	$V_{IN} = 220$ Vrms	3.0	mA	
Must Turn-Off Voltage	115 Vrms; V_{IN}	20	Vrms	
	230 Vrms; V_{IN}	50	Vrms	
Input Transient (≤ 1 ms)		± 600	Vpeak	

INPUT (ENABLE) SPECIFICATIONS

Parameter	Min	Max	Units
Enable Voltage	2.0	15.0	Vdc
Enable Current		10.0	μ A

OUTPUT SPECIFICATIONS

Parameter	Min	Max	Units
Logic Supply Voltage (V_{CC})	4.0	16.0	Vdc
Breakdown Output Voltage Rating (V_o)		60	Vdc
Output Current Rating (See Figure 3)		100	mA
On Resistance		6.0	Ohms
Output Leakage Current @ 15 Vdc		10	μ A
Turn-On Time		40	ms
Turn-Off Time		40	ms
Insulation Resistance (Input to Output)	10^9		Ohms
Dielectric Strength (Input to Output)	3750		Vac
Capacitance (Input to Output)		5.0	pF
Junction Temperature (T_J)		125	$^{\circ}$ C
Output Voltage Drop		0.5	Vdc

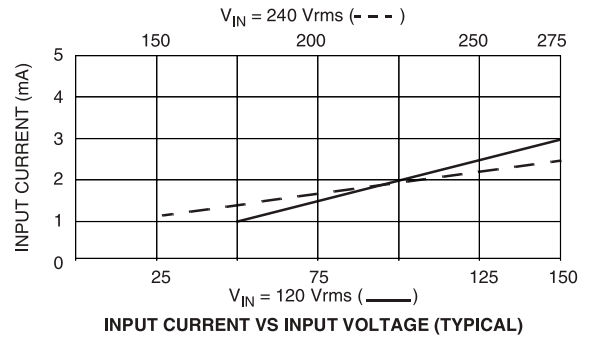


FIGURE 1

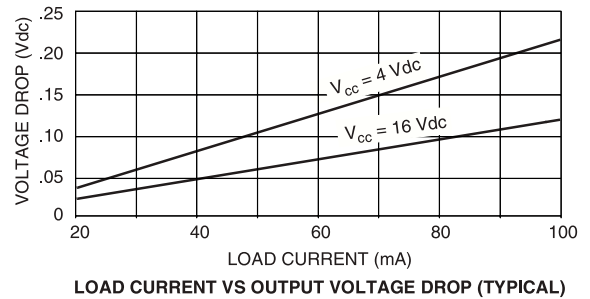


FIGURE 2

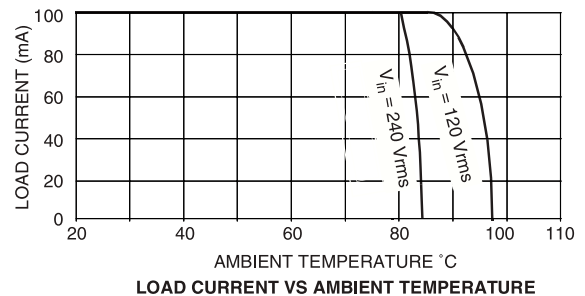
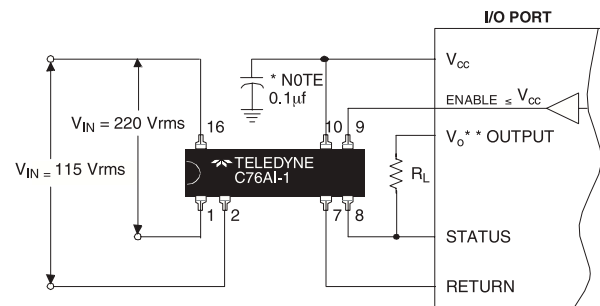


FIGURE 3

TYPICAL INTERFACE TO I/O PORT



* NOTE: 0.1 μ f decoupling capacitor is recommended
** V_o maybe supplied by V_{CC}