



Conforms to EN574 Cat. IIIC, EN60204-1, EN954-1, VDE 0113-1
UL and C-UL listed, BG approved



H

safety monitoring relays

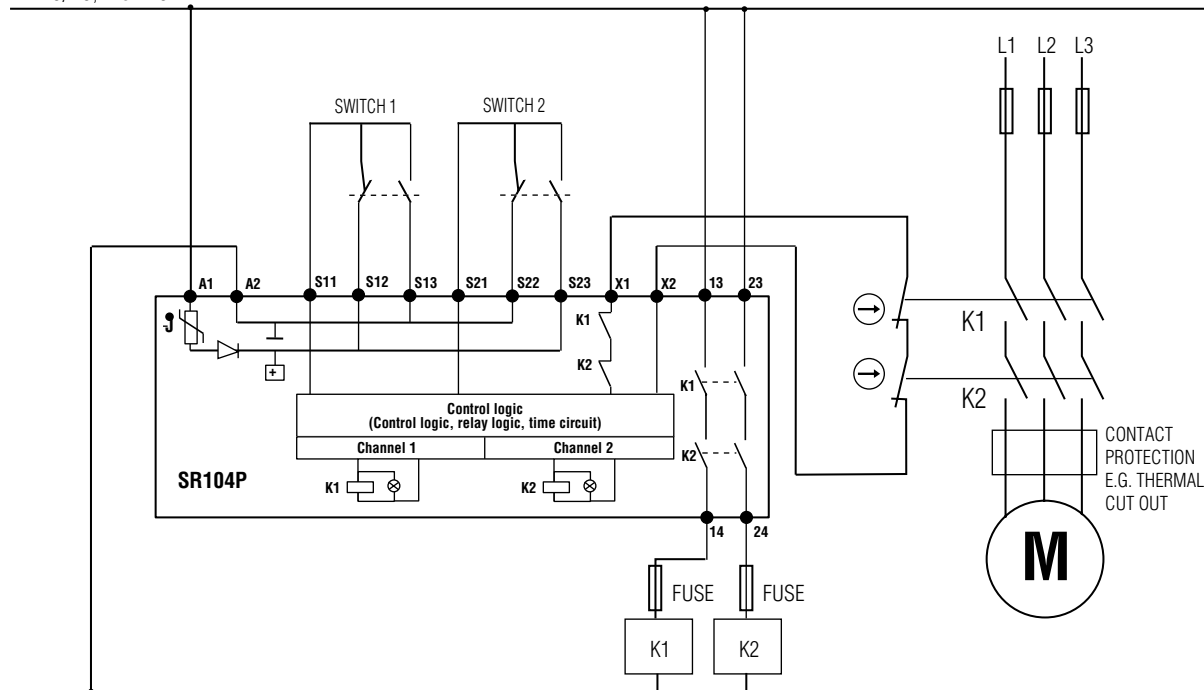
SR104P

Two-Hand Control Safety Monitoring Relay

- Power requirements—the SR104P will accept 24 VAC/DC and 115 VAC
- Inputs—controls and monitors two-hand control switches to ensure that both switches are operated within 0.5 seconds of each other
- Outputs—the SR104P has 2 N/O outputs to route power to the coils of power contactors
- External Device Monitoring (EDM) is provided with a N/C loop between X1 and X2 on the SR104P

■ Application

24VAC/DC, 115 VAC



The SR104P only allows machine operation if both buttons are operated at the same time. Operating one button or both buttons and then releasing one will not start the machine.

H
safety monitoring relays

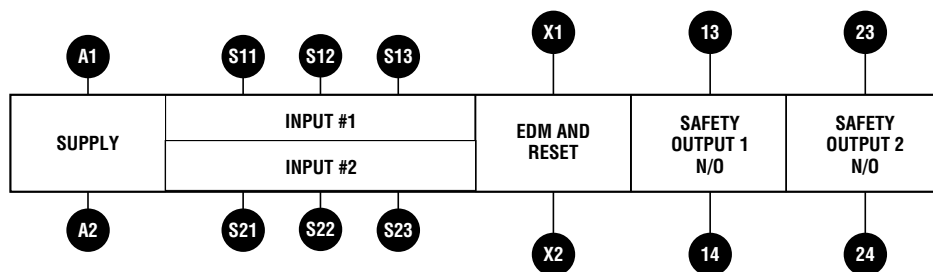
Output Contact Arrangements



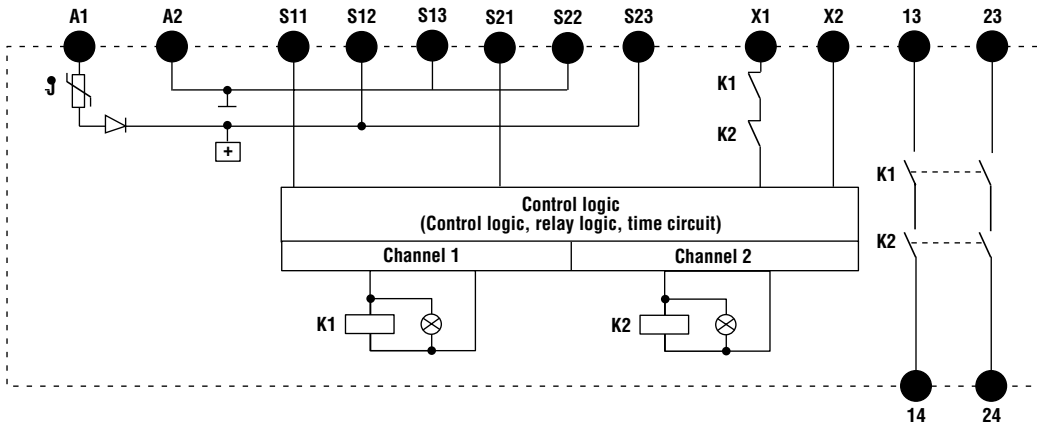
Terminal Pin Assignments

| | | | | | | | | |
|----|---|---|-----|--|-----|---|---|----|
| | ⊘ | ⊘ | S21 | | A1 | ⊘ | ⊘ | X1 |
| | ⊘ | ⊘ | S22 | | S11 | ⊘ | ⊘ | X2 |
| 14 | ⊘ | ⊘ | S23 | | S12 | ⊘ | ⊘ | 13 |
| 24 | ⊘ | ⊘ | A2 | | S13 | ⊘ | ⊘ | 23 |

Terminal Connections



■ Block Diagram

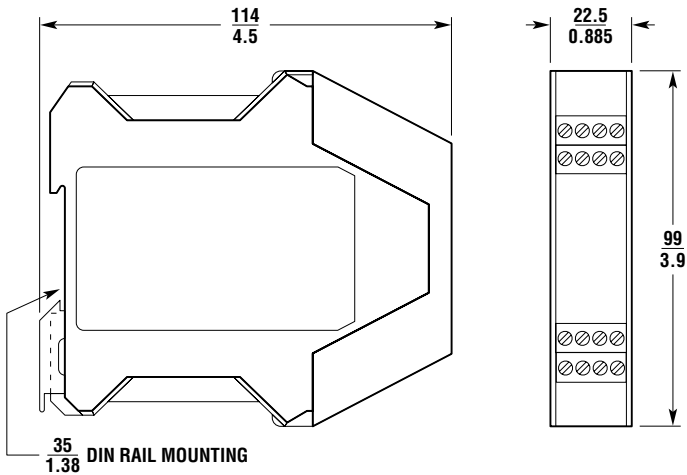


H

safety monitoring relays

■ Dimensions — mm/in.

SR104P



A Go to the Engineering Guide
For in-depth information on
safety standards and use.

■ Specifications

| Electrical | All Models | SR104P01 | SR104P02 |
|--------------------------------------|--|-----------|----------|
| Power Supply: | ±10%, 50-60 Hz | 24 VAC/DC | 115 VAC |
| Power Consumption AC: | Approx. 2.5 VA | | |
| Power Consumption DC: | Approx. 1.5 W | | |
| Safety Inputs: | 2 x 2 pole (1 N/C + 1 N/O) hand switches | | |
| Relay Outputs: | 2 N/O | | |
| Max Switched AC: | Inductive AC-15, 4 A/230 V | | |
| Max Switched DC: | Inductive DC-13, 2 A/24 V | | |
| Min Switched Current/Voltage: | 20 mA/24 V | | |
| Impulse Withstand Voltage: | 2500 V | | |
| Max Drop-Out Time: | 35 ms (90 ms by removing supply voltage) | | |
| Max Output Fuse: | 6 A quick-acting or 4 A slow-acting | | |
| Contactors Monitoring: | N/C loop between X1 and X2 | | |
| Mechanical | | | |
| Mounting: | 35 mm (1.38 in.) DIN rail | | |
| Case Material: | Fiber-filled Polyamid PA6.6 | | |
| Max Wire Size: | 1 x 2.5 mm ² (14 AWG) stranded | | |
| Weight: | 200 g (7 oz.) | | |
| Color: | Red | | |
| External Switches: | None | | |
| Indication: | Green = K1 Closed, Green = K2 Closed | | |
| Mechanical Life: | 1 x 10 ⁷ operations | | |
| Environmental | | | |
| Enclosure Protection: | IP20 terminals, IP40 (NEMA 1) housing | | |
| Operating Temperature: | 24 VAC/DC: -15 to 60°C (5 to 140°F) 115 VAC: -15 to 40°C (5 to 104°F) | | |
| Humidity: | 93% RH at 40°C (104°F) | | |
| Compliance | | | |
| Standards: | EN 60204-1, EN 574 Cat. IIIC, EN 954-1, VDE 0113-1 | | |
| Approvals/Listings: | CE marked for all applicable directives, UL and C-UL, BG | | |
| Safety Category: | Cat. 4 per EN954-1 (SR104 internal operation) | | |

Specifications are subject to change without notice.

Note: The safety contacts of the Omron STI switches are described as normally closed (N/C)—i.e., with the guard closed, actuator in place, and the machine able to be started.

■ Ordering

| Model | Supply | Inputs | Outputs | Part No. |
|----------|-----------|--|---------|------------|
| SR104P01 | 24 VAC/DC | 2 x 2 pole (1 N/C + 1 N/O) hand switches | 2 N/O | 44510-1041 |
| SR104P02 | 115 VAC | 2 x 2 pole (1 N/C + 1 N/O) hand switches | 2 N/O | 44510-1042 |