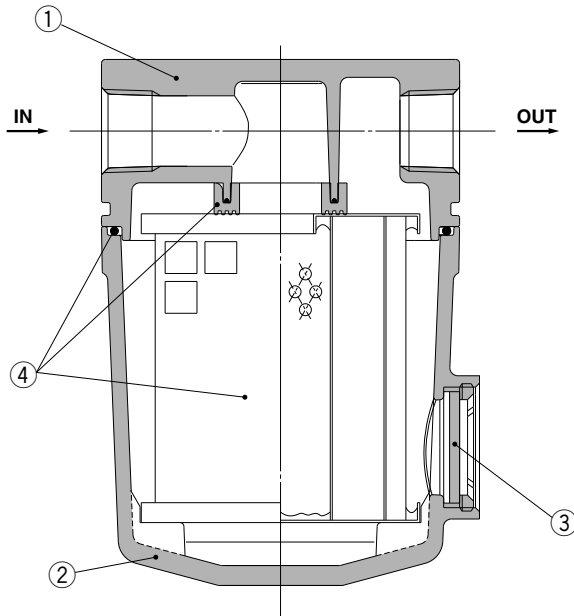
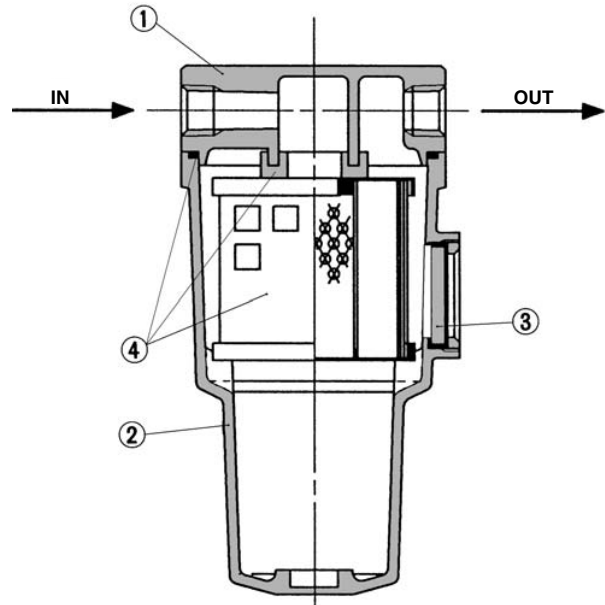


**Construction**

**AME150C to 550C**



**AME650/850**



**Component Parts**

No.	Description	Material	Note
1	<b>Body</b>	Aluminum die-casted	Chrome treated
2	<b>Housing</b>	Aluminum die-casted*	Epoxy coating on inner surface
3	<b>Sight glass</b>	Tempered glass	—

\* The AME850 is aluminum casted.



Note) Refer to "How to Order Bowl Assembly" on page 63.



Note) Sight glass is indicated in the figure for easy understanding of component parts. However, it differs from the actual construction. Refer to dimensions on pages 49 through to 51 for details.

**Replacement Parts**

No.	Description	Material	Applicable model	Model						
				AME150C	AME250C	AME350C	AME450C	AME550C	AME650	AME850
4	<b>Element assembly</b>	Glass fiber, others	Except option F For option F	AME-EL150 AME-EL150-F	AME-EL250 AME-EL250-F	AME-EL350 AME-EL350-F	AME-EL450 AME-EL450-F	AME-EL550 AME-EL550-F	AME-EL650	AME-EL850

\* Element assembly: With gasket (1 pc.) and O-ring (1 pc.)

\* Element assemblies for Made to Order (X12, X20) are same as those for standard (see the above table).