

Item # 731-0040 Model 711/731 Electromechanical Hour Meter



Model 711/731 Electromechanical Hour Meter

The Redington Model 711/731 provides a family of compact 7 figure, AC or DC Hour Meters. Models are available in the standard industry housings, 2-Hole rectangular, flush-round and flush-rectangular. DC Models are quartz controlled for high reliability and accuracy. A choice of two rectangular panel cutouts are offered 1.45 inch x 0.95 inch (36.8 x 24.1mm) or 1.45 inch x 0.87 inch (36.8mm x 2.1mm). The Round meter has a panel cutout of 1.99 inch (50.5mm).

Specifications

Model No.	731
Mounting	2-Hole
Reset	Non-reset
Termination	1/4 inch (6.3mm) spade terminals
Display	7 figures, 0.14 inch (3.6mm) 99999.99
Display Height	0.14 Inch
Display Height	3.6 mm
No. of Digits	7
Records	99999.99 hours
Input Voltage	10-28 VDC
Power	0.4 watts
Operating Temperature	-40 to +180 °F
Operating Temperature	-40 to +82 °C
Storage Temperature	-40 to +185 °F
Storage Temperature	-40 to +85 °C
Case Material	Black Polymer
Weight	1.2 oz
Weight	35 gm
Panel Cutout	1.45 x 0.87 Inch
Panel Cutout	36.8 x 22.1 mm
Approvals	CE Compliant, UL/cUL Recognized
Front Panel	IP65
Transient Immunity	EMI: ± 400V

Alternator Load Dump	150V inductive switching, reverse polarity and over voltage protection
Shock	55 g's
Vibration	20 g's
Humidity	95% RH, SAE J 1378
Stock Availability	Yes
Quartz Accuracy	0.01%



Description

The Redington Model 711/731 provides a family of compact 7 figure, AC or DC Hour Meters. Models are available in the standard industry housings, 2-Hole rectangular, flush-round and flush-rectangular. DC Models are quartz controlled for high reliability and accuracy. A choice of two rectangular panel cutouts are offered 1.45" X 0.95" [36.8mm X 24.1mm] or 1.45" X 0.87" [36.8mm X 2.1mm]. The Round meter has a panel cutout of 1.99" [50.5mm].

Features

- 7 figure, 99999.99
- Various voltage inputs
- Quartz accuracy (DC)
- Large figures, 0.14" [3.6mm]
- CE Compliant
- UL Recognized/CSA Certified for AC
- UL/cUL Recognized for DC

Options

- Special voltages
- Terminations
- Panel cutout

Specifications

Figures: 7 figures, 0.14" [3.6mm] 99999.99
Reset: Non-reset
Voltages: 24, 115 or 230VAC (± 10%), 50 or 60 Hz 10-28VDC
Power: 2 watts AC, 0.4 watts DC
Mounting: Clip or mounting holes
Termination: 1/4" [6.3mm] spade terminals with screws (AC)
 1/4" [6.3mm] spade terminals (DC)
Accuracy: 0.01% (DC) quartz
Case Material: Black polymer
Agency Approvals: CE Compliant
 UL Recognized/CSA Certified for AC
 UL/cUL Recognized for DC
Weight: 1.2oz. [35g]

Environmental:
Front Panel: IP65
Operating Temperature: -22°F to +180°F [-30°C to +82°C]
Storage Temperature: -40°F to +185°F [-40°C to +85°C]
Vibration: 1g [10/500Hz] IEC 68-T2-34
Shock: 30g [18ms] IEC 68-T2-27
 25g [16ms] IEC 68-T2-19

Models

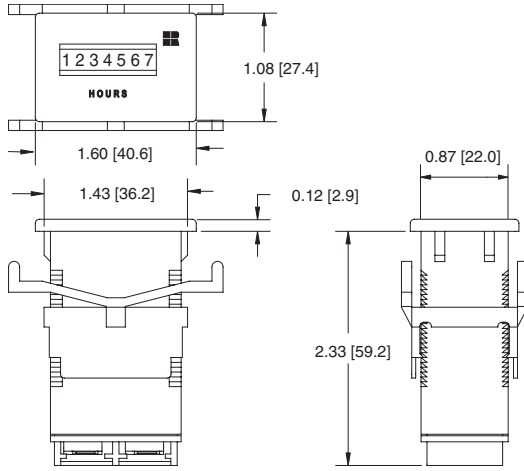
Models	Voltage AC	Mount	Panel Cut-out		
			1.45 X .87	1.45 X .95	1.99
711-0013	115VAC/60Hz	Round			X
711-0014	230VAC/60Hz	Round			X
711-0113	115VAC/60Hz	Flush Rect	X		
711-0114	24VAC/60Hz	Flush Rect.	X		
711-0120	115VAC/60Hz	Flush Rect		X	
711-0123	230VAC/60Hz	Flush Rect.		X	
711-0130	115VAC/60Hz	2-Hole	X		
711-0131	230VAC/60Hz	2-Hole	X		
711-0132	24VAC/60Hz	2-Hole	X		
711-0133	115VAC/50Hz	2-Hole	X		
711-0138	230VAC/60Hz	Flush Rect.	X		

Models	Voltage DC	Mount	Panel Cut-out		
			1.45 X .87	1.45 X .95	1.99
731-0006	10-28VDC	Round			X
731-0040	10-28VDC	2-Hole			
731-0041	10-28VDC	Flush Rect	X		
731-0042	10-28VDC	Flush Rect		X	
731-0051	10-28VDC	2-Hole		X	

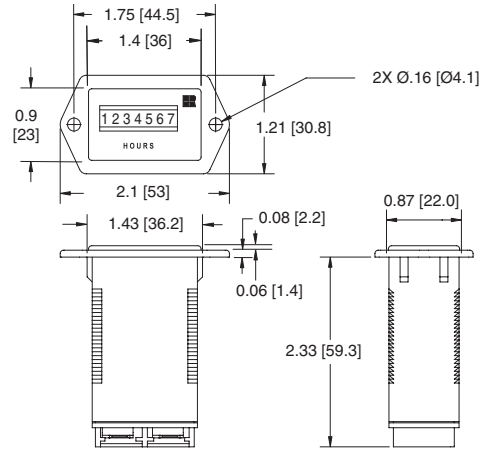
* Items in bold are normally in factory stock.



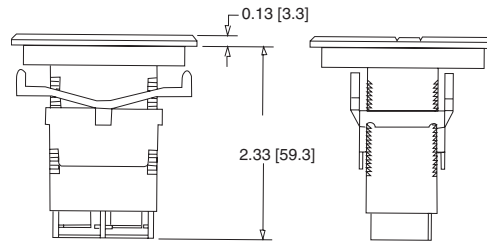
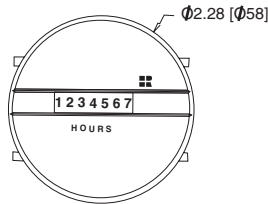
Dimensions



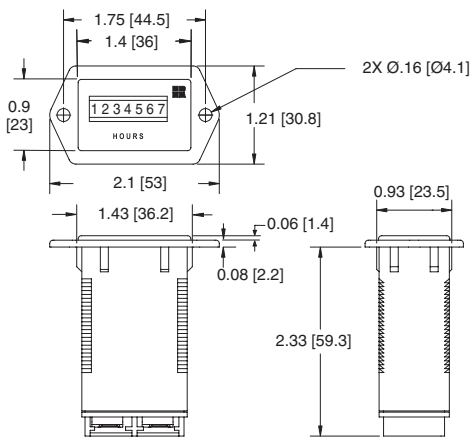
PANEL OPENING 1.45 [36.8] X 0.87 [22.1]
PANELTHICKNESS 0.50" [12.7]



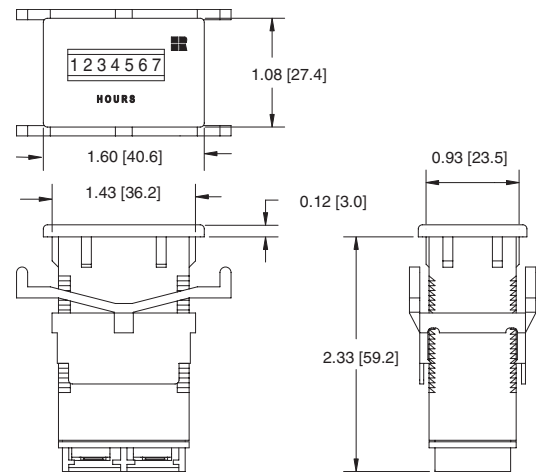
PANEL OPENING 1.45 [36.8] X 0.87 [22.1]



PANEL OPENING 1.99 [50.5] DIA



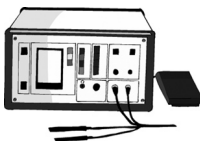
PANEL OPENING 1.45 [36.8] X 0.95 [24.1]



PANEL OPENING 1.45 [36.8] X 0.95 [24.1]
PANELTHICKNESS 0.50" [12.7]

Applications

Medical equipment



Test equipment



Office equipment

