



## HBL15W47 -- Elastogrip Series Connector Body

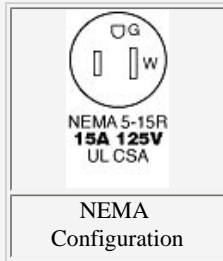


2R3W, 15A 125V, 5-15R, Yellow Elastomer, Watertight

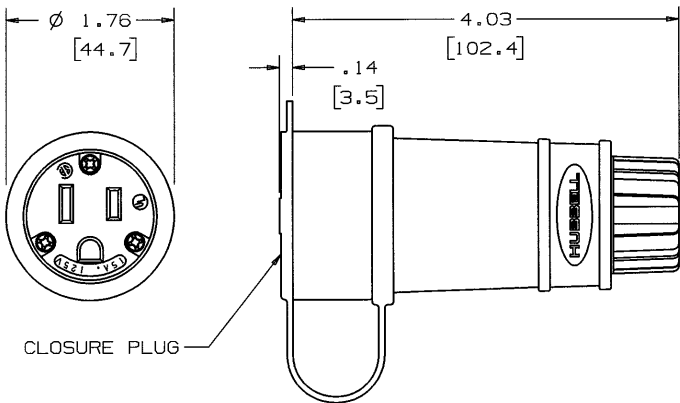
### Product Specifications

<b>Product Type</b>	 <p style="text-align: center;"><b>Connectors</b></p>
<b>Body Style</b>	Straight
<b>Standard</b>	NEMA
<b>Amperage</b>	15A
<b>Voltage</b>	125V
<b>Poles and Wires</b>	2 Pole, 3 Wire Grounding
<b>Wiring Method</b>	Back Wire
<b>Hospital Grade ?</b>	No
<b>Plug/Connector Grade</b>	Elastogrip
<b>Enhancement</b>	Water Tight
<b>Color</b>	 <p style="text-align: center;"><b>Yellow</b></p>
<b>NEMA No.</b>	5-15R

<b>Cord Dia.</b>	.300"-.655" (7.6-16.6)
<b>Description</b>	Straight Blade Connector
<b>Type</b>	2 Pole, 3 Wire, Grounding
<b>Rating</b>	15A, 125V
<b>Certification</b>	UL Listed to UL498 File E1706, CSA Certified to C22.2 No. 42 File 280
<b>IP Suitability</b>	IP20
<b>Housing Material</b>	PVC-Yellow
<b>Retainer Material</b>	Polycarbonate-Clear
<b>Cord Clamp Material</b>	Nylon-Yellow
<b>Terminal Screw Material</b>	#8-32 Brass, Multiple Drive
<b>Ground Screw Material</b>	#8-32 Brass, Multiple Drive (Green)
<b>Wire Clamps Material</b>	0.062" (1.6) Steel - Ni Plated
<b>Body Holding Screws</b>	Steel Multiple Drive
<b>Contact Holder Material</b>	Nylon-Natural
<b>Power Contacts Material</b>	.040" (1.0) Copper Alloy
<b>Dielectric Voltage</b>	Withstands 2,000V minimum.
<b>Current Interrupting</b>	Certified for current interrupting at full rated current.
<b>Temperature Rise</b>	Max 30°C temperature rise at full rated current after 50 cycles of overload at 150% of rated current at a power factor of 75%..
<b>Terminal Identification</b>	Terminals identified in accordance with UL498 (Brass, White, Green).
<b>Terminal Accommodation</b>	#14-#10 AWG copper stranded or solid conductor only.
<b>Product Identification</b>	Ratings are a permanent part of the device.
<b>Flammability</b>	UL 94 HB or better.
<b>Operating Temperatures</b>	Maximum continuous 75°C, minimum -40°C (w/o impact).
<b>M Drawings</b>	<a href="#">Click here for M-Drawing</a>
<b>Catalog Page</b>	<a href="#">Click here for catalog page A18</a>
<b>Brochures</b>	<a href="#">Click here for product brochure</a>
<b>Catalog Section</b>	<a href="#">Click here for Section-A</a>
<b>UPC Number</b>	78358501302
<b>Weight in LBs</b>	0.3



M-6400 2



CAT. NO.	CONFIGURATION	RATING
HBL15W47	NEMA 5-15R NON-LOCKING	15A.125V
HBL15W33	NEMA 5-20R NON-LOCKING	20A.125V
HBL25W47	NEMA L5-15R LOCKING	15A.125V

NOTES: (UNLESS OTHERWISE SPECIFIED)

- 1) DIMENSION FORMAT IS: INCHES [ mm ]
- 2) DIMENSIONS SHOWN ON THIS DRAWING ARE NOMINAL VALUES FOR GENERAL USE ONLY. ACTUAL PART TOLERANCES MUST BE OBTAINED FROM HUBBELL ENGINEERING.

LIST OF PARTS		
DESCRIPTION	MATERIAL	FINISH
BODY	NYLON	NATURAL
RETAINER	POLYCARBONATE	AMBER
WIRE CLAMP	.062 C.R.S.	NICKEL PLATE
CONTACT SPRING	.031 BRONZE	
BINDING SCREW	BRASS	*
GR HEX HD BIND'G SCR	BRASS	GREEN
SPACER	NYLON	NATURAL
NUT	NYLON	YELLOW
ISLAND	NEOPRENE	GRAY
OUTER SLEEVE	VINYL	YELLOW
CLOSURE PLUG	VINYL	YELLOW
GOTCHA RING	NYLON	

\* WHITE FINISH ON NEUTRAL

SUPERSEDES DRAWING  
DATED 5-1-84

2 REDRAWN WITH CHANGES: ADDED "HBL" TO 15W47, 15W33, & 25W47; DUAL DIMENSIONS WERE FRACTIONAL ONLY; ADDED NOTES 1 & 2; "SEE TABLE" WAS "SEE CHART"; IN PARTS LIST "POLYCARBONATE" WAS "LEXAN"; PER DCN #8682. JMN	TCM	12/7/01
----------------------------------------------------------------------------------------------------------------------------------------------------------------------------------------------------------------------------------------------	-----	---------

SYM	REVISIONS	APP	DATE

THE DESIGN AND DIMENSIONS OF THE  
PRODUCT SHOWN ON THIS DRAWING ARE  
SUBJECT TO CHANGE WITHOUT NOTICE

TITLE  
2 POLE 3 WIRE WATERTIGHT  
ELASROMERIC CONNECTORS

TOLERANCES UNLESS OTHERWISE SPECIFIED	WIRING DEVICE-KELLEMS HUBBELL INCORPORATED BRIDGEPORT, CT	
FRACTIONS ±1/64	DR. BY A.Z.	APP. BY J.N.C.
DECIMALS ±.005	TR. BY J.M.N.	SCALE 1:1
ANGLES ±2°	CHK'D BY	DATE 6/9/00

CODE 74545

QUESTION SHEET FOR CAT. NO. SEE TABLE

REPAIRABLE  NON-REPAIRABLE

B

M-6400

2

## Straight Blade Devices

### 2 Pole, 3 Wire Grounding

15 and 20 Ampere, 125 Volts

### ELASTOGRIP® Plugs and Connector Bodies



### IP20 and IP55

SUITABILITY



NEMA 5-15P  
15A 125V  
UL CSA  
0.5 HP



NEMA 5-20P  
20A 125V  
UL CSA  
1 HP

### Elastogrip Plugs

Description	Cord Dia.	Catalog Numbers
Yellow elastomer, dust tight.	.300"-.655" (7.6-16.6)	<b>HBL1447</b> <b>HBL1433</b>
Yellow elastomer, watertight.	.300"-.655" (7.6-16.6)	<b>HBL14W47*</b> <b>HBL14W33*</b>

Note: Horsepower ratings listed are AC only.

\*Watertight plugs IP55 suitability when installed and used properly with mating Elastogrip watertight connector bodies.

### IP20 and IP55

SUITABILITY



NEMA 5-15R  
15A 125V  
UL CSA



NEMA 5-20R  
20A 125V  
UL CSA

### Elastogrip Connector Bodies

Description	Cord Dia.	Catalog Numbers
Yellow elastomer, dust tight.	.300"-.655" (7.6-16.6)	<b>HBL1547</b> <b>HBL1533</b>
Yellow elastomer, watertight.	.300"-.655" (7.6-16.6)	<b>HBL15W47*</b> <b>HBL15W33*</b>

Notes: Connector bodies are not HP rated.

\*Watertight connectors IP55 suitability when closure plug inserted or when installed and used properly with mating Elastogrip watertight plug.