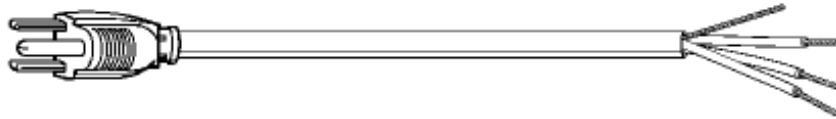


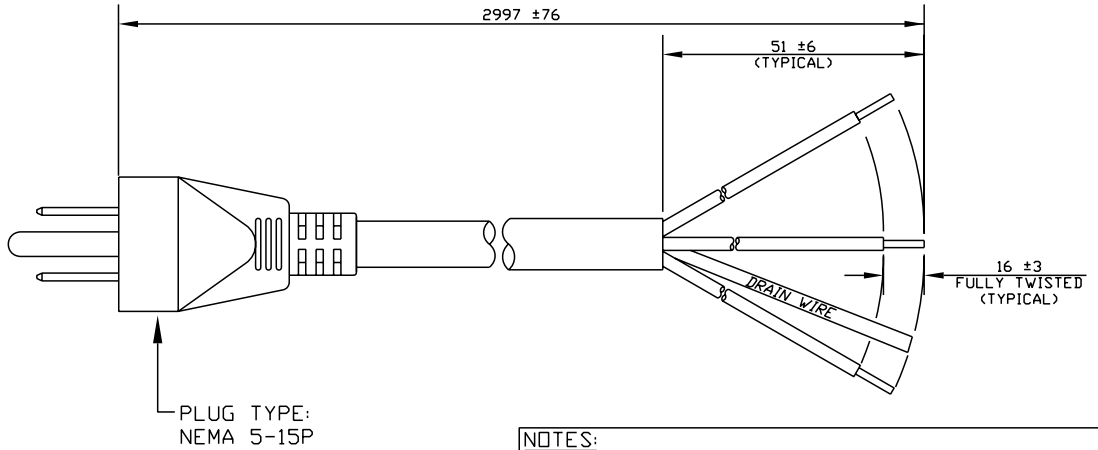
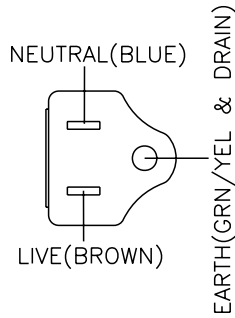
VOLEX

GROUP

Standard Cord Details: 17613 10 C3



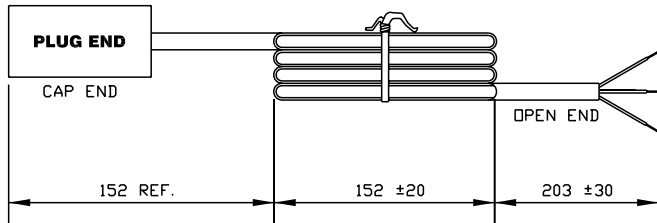
Specifications	
Certifications	
Part Number	17613 10 C3
Connector Type	none
Plug Type	5-15P
Category	Plastic
Application	Non-Detachable
Plug Catalog No.	
Connector Catalog No.	
Cable	SJT AWG 18x3 (Shielded)
Jacket Color	Black
Length in Feet	9'10
Length in Meters	3
Temperature Rating	60 C
Packaging Units Per Carton	100
Color Coding	International
Nominal OD in Inches	0.34
Nominal OD in Millimeters	8.64
Notes	See 17741 for SVT version. See 1753 for unshielded version.



VOLEX RESERVES THE RIGHT TO ALTER NON-CRITICAL DIMENSIONS WITHOUT NOTICE.

- NOTES:
- 1) CORDAGE: 18/3, SJT, 60°C, BLACK, LEAD FREE, FOIL SHIEDED WITH DRAIN WIRE.
 - 2) APPROVALS:
 - 3) RATING: 10 AMP/125 VOLTS
 - 4) FLAME RATING : FT2
 - 5) DRAIN WIRE CONNECTED TO GROUND PIN OF PLUG PRIOR TO MOLDING.
 - 6) PACKAGING: 50 PIECES/CARTON
 - 7) ALL DIMENSIONS IN MILLIMETERS.

PACKAGING: FOLD & TIE



2	REDRAWN TO SHOW CHINESE MANUFACTURED CORD	12/3/07
1	C.U.D - NEW RELEASE	9/5/07
REV	DESCRIPTION	DATE

	<input checked="" type="checkbox"/> Indianapolis, IN <input type="checkbox"/> Conover, N.C. <input type="checkbox"/> Freemont, CA <input type="checkbox"/> Aguascalientes, MX <input type="checkbox"/> Tijuana, Mexico <input type="checkbox"/> Hermosillo, MX <input type="checkbox"/> Clinton, AR <input type="checkbox"/> Kanata, Canada	Proprietary Notice: This document is the property of Volex Incorporated. The information contained herein is not to be disclosed to anyone without the express written consent of Volex Inc.	MATERIAL: PLUG: PVC, BLK, LEAD FREE JACKET: PVC, BLK, LEAD FREE	SCALE: NOT TO SCALE ECD: N/A	ITEM DESCRIPTION CORDSET - NORTH AMERICAN POWER SUPPLY CORD (9' 10")		
	FINISH: JACKET: SMOOTH		TOLERANCE UNLESS OTHERWISE SPECIFIED .XXX ± .005 .XX ± .02 .X ± .03 FRACT. ± 1/32 ANGULAR ± 1/2°	APPROVED: STC DRAWN BY: STC DATE: 9/5/07	PART NO. 17613 10 C3		

FORM IN71-07 REV.A