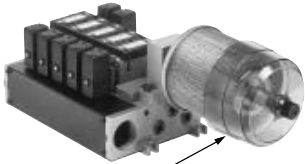


5 Port Pilot Operated Solenoid Valve Metal Seal, Plug-in/Non Plug-in Series VFS3000

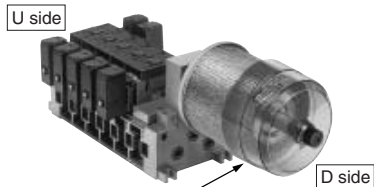
Manifold with Exhaust Cleaner

- Serves to protect working environment.
- Valve exhaust noise dampening: 35 dB or more.
- Collection rate of drainage and oil mist: 99.9% or more.
- Piping work is reduced.



Plug-in type

Exhaust cleaner AMC610-10 (Option)



Non plug-in type

Exhaust cleaner AMC610-10 (Option)

Manifold Specifications

Manifold	Plug-in type: VV5FS3-01□	Non plug-in type: VV5FS3-10
Wiring	With terminal blocks With multi-connector With D-sub connector	DIN terminal Grommet terminal
Applicable valve model	VFS3□00-□F	VFS3□10-□D, VFS3□10-□E
Porting specifications Rc	Common SUP, Common EXH	
	2(B), 4(A) port 1(P), 3(R2), 5(R1) port	Rc 1/4, 3/8 P: Rc 1/2, EXH: Rc 1
Stations	2 to 10 ⁽¹⁾	
Applicable exhaust cleaners	AMC610-10 (Connecting port size R 1) ⁽²⁾	



Note 1) With multi-connector, or with D-sub connector: 8 stations max.
Note 2) Exhaust cleaner "AMC610-10" is not attached.

How to Order

VV5FS3-10-06-1-03-CD

Series VFS3000
Manifold

Base type/Electrical entry

01T	Plug-in type with terminal block
01C	Plug-in type with multi-connector
01F	Plug-in type with D-sub connector
10	Non plug-in type

Connector mounting direction

Symbol	With connector	Applicable base
Nil	None	01T, 10
D	D side mounting	01C, 01F
U	U side mounting	

Stations

02	2 stations
⋮	⋮
10	10 stations

Base type 01T, 10: 2-10 stations
Base type 01C, 01F: 2-8 stations

Exhaust cleaner mounting direction

Symbol	Exhaust cleaner mounting direction
CD	D side D side mounting
CU	U side U side mounting

Thread type

Nil	Rc
N*	NPT
T*	NPTF
F*	G

* Option

Port size

Symbol	P	A, B
02	Rc 1/2	Rc 1/4
03		Rc 3/8
M		Mixed

Symbol

Symbol	Passage		Porting specifications (A, B)
	P	R1, R2	
1	Common	Common	Side
2			Bottom*

* Option

Caution

When using an exhaust cleaner, mount it downwards.



* For details about exhaust cleaners, refer to Best Pneumatic Vol. 5.

Please indicate manifold base type, corresponding valve, and option parts.

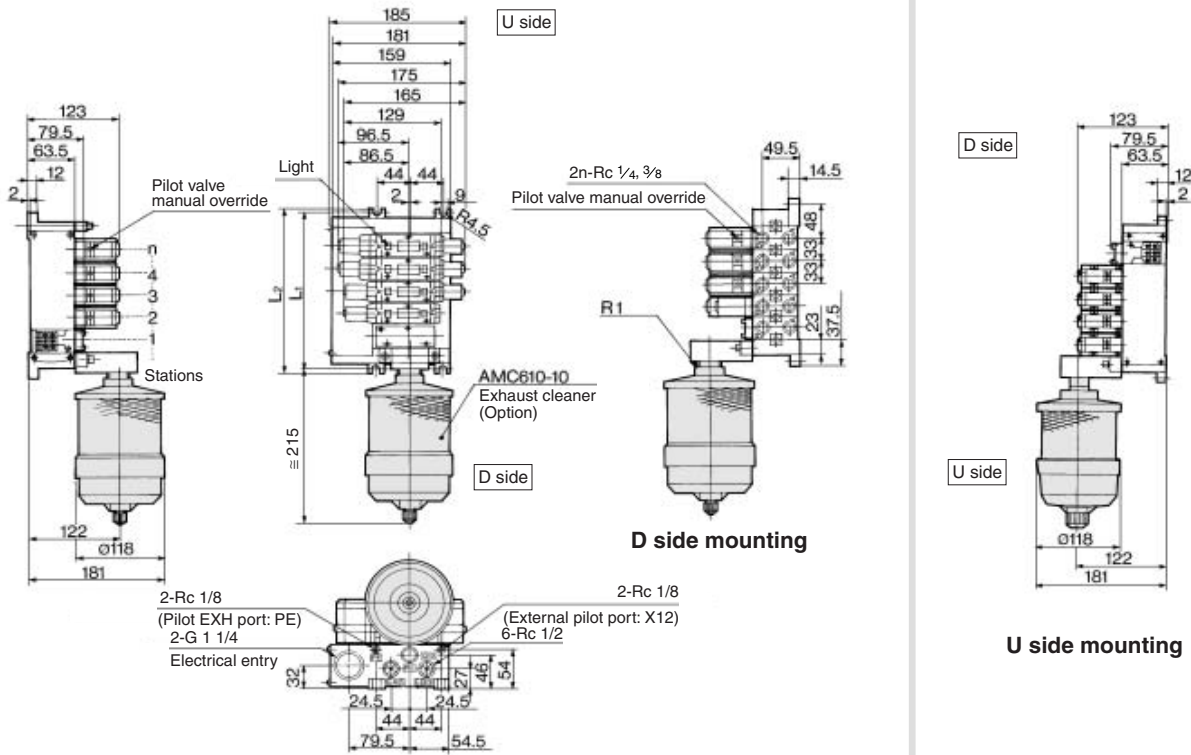
<Example>

• Plug-in type with terminal block (6 stations)	
(Manifold base)	VV5FS3-01T-061-03-CD 1
(2 position single)	VFS3100-5FZ 3
(2 position double)	VFS3200-5FZ 2
(Blanking plate)	VVFS3000-10A 1
(Exhaust cleaner)	AMC610-10 1
• Non plug-in type (6 stations)	
(Manifold base)	VV5FS3-10-061-03-CU 1
(2 position single)	VFS3110-5E 3
(2 position double)	VFS3210-5E 2
(Blanking plate)	VVFS3000-10A 1
(Exhaust cleaner)	AMC610-10 1

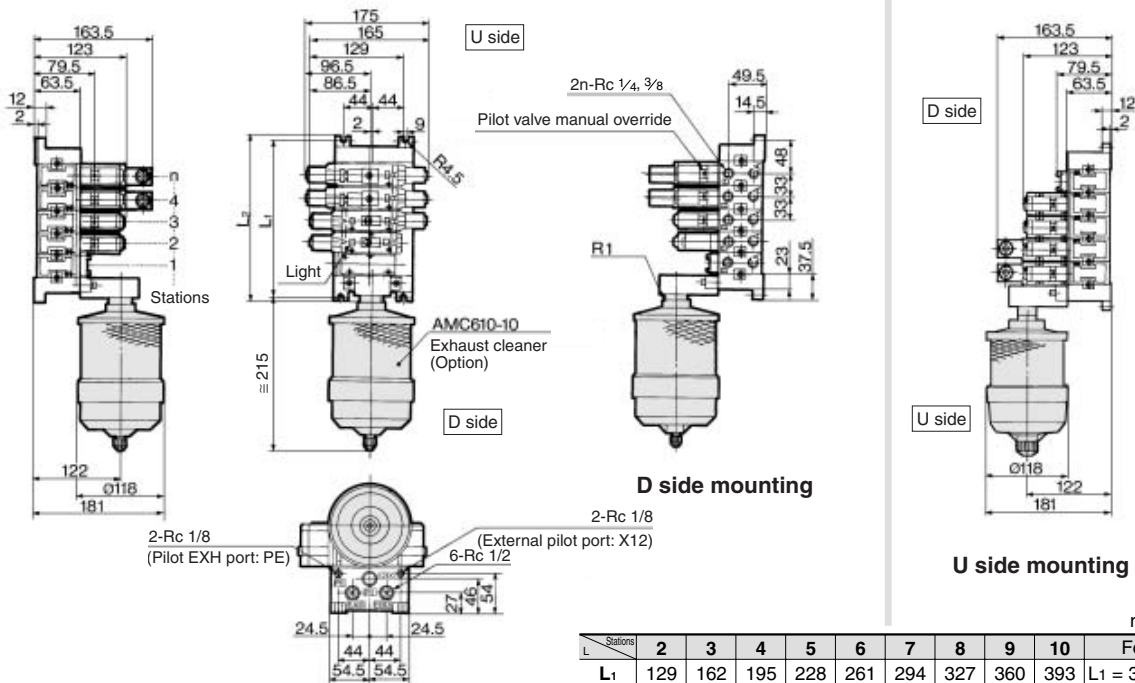
Series VFS3000

Manifold with Exhaust Cleaner Plug-in type, Non plug-in type

Plug-in type: VV5FS3-01T-Station 1- Port size -^{CD}/_{CU}



Non plug-in type: VV5FS3-10-Station 1- Port size -^{CD}/_{CU}



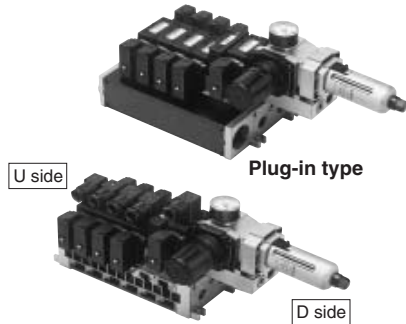
n: Stations

Stations	2	3	4	5	6	7	8	9	10	Formula
L ₁	129	162	195	228	261	294	327	360	393	L ₁ = 33 x n + 63
L ₂	141	174	207	240	273	306	339	372	405	L ₂ = 33 x n + 75

5 Port Pilot Operated Solenoid Valve Metal Seal, Plug-in/Non Plug-in Series VFS3000

Manifold with Control Unit

- Control unit (Filter, Regulator, Pressure switch, Air release valve) are all standardized to the one unit, and can be mounted on the manifold base without any attachments.
- Piping processes are eliminated.



Non plug-in type

Manifold Specifications

Manifold	Plug-in type: VV5FS3-01□	Non plug-in type: VV5FS3-10
Wiring	With terminal block With multi-connector With D-sub connector	DIN terminal Grommet terminal
Applicable valve model	VFS3□00-□F	VFS3□10-□D, VFS3□10-□E
Porting specifications Rc	Common SUP, Common EXH	
	2(B), 4(A) port 1(P), 3(R2), 5(R1) port	Rc 1/4, 3/8 Rc 1/2
Stations	2 to 10 *	

* With multi-connector, or with D-sub connector: 8 stations max.

Control Unit Specifications

Air filter (With auto-drain/With manual drain)	
Filtration degree	5 μm
Regulator	
Set pressure (Outlet pressure)	0.05 to 0.85 MPa
Pressure switch ⁽¹⁾	
Set pressure range: OFF	0.1 to 0.6 MPa
Differential	0.08 MPa or less
Contact	1a
Indicator light	LED (RED)
Max. switch capacity	2 VA AC, 2 W DC
Max. operating current	24 VAC/DC or less: 50 mA 100 VAC/DC: 20 mA
Air release valve (Single only)	
Operating pressure range	0.1 to 1.0 MPa

Control Unit/Option

Air release ⁽²⁾ valve spacer	<Plug-in type> VVFS3000-24A-1R (D side mounting)	
	<Non plug-in type> VVFS3000-24A-2R (D side mounting)	
Pressure ⁽³⁾ switch	IS1000P-2-1	
Blanking plate	Filter regulator	MP2-3
	Pressure switch	MP3-2
	Release valve	VVFS3000-24A-10
Filter element	INA-13-854-12-5B	

Note 1) Voltage: 24 VDC to 100 VAC
Inner voltage drop: 4 V

Note 2) Combination of valve VFS31□□ (single) and a release valve spacer can be used an air release valve.

Note 3) The non plug-in type cannot be mounted afterwards.

Caution

When using an air filter with auto-drain or manual drain, mount the filter vertically.

How to Order

VV5FS3-10-08-1-02-AP

Series VFS3000 Manifold

Base type/Electrical entry

01T	Plug-in type with terminal block
01C	Plug-in type with multi-connector
01F	Plug-in type with D-sub connector
10	Non plug-in type

Connector mounting direction

Symbol	With connector	Applicable base
Nil	None	01T, 10
D	D side mounting	01C, 01F
U	U side mounting	

Stations

02	2 stations
10	10 stations

Base type 01T, 10: 2 to 10 stations
Base type 01C, 01F: 2 to 8 stations

Symbol

Symbol	Passage		Porting specifications (A, B)
	P	EA, EB	
1	Common	Common	Side
2	Common	Common	Bottom*

* Option

Port size

Symbol	P, EA, EB	A, B
02	Rc 1/2	Rc 1/4
03		Rc 3/8
M		Mixed

Thread type

Nil	Rc
N*	NPT
T*	NPTF
F*	G

* Option

Air release valve coil rating

Nil	None (F, G type only)
1	100 VAC, 50/60 Hz
5	24 VDC
9	Other

Control unit type

Symbol	Nil	A	AP	M	MP	F	G	C	E
Control equipment									
Air filter with auto-drain		●	●			●			
Air filter with manual drain				●	●		●		
Regulator		●	●	●	●	●	●		
Air release valve		●	●	●	●			●	●
Pressure switch			●		●				
Blanking plate (Air release valve)						●	●		
Blanking plate (Filter, Regulator)							●	●	
Blanking plate (Pressure switch)	●			●		●	●	●	
Number of manifold blocks required for mounting (stations)	2	2	2	2	2	2	2	2	1

Please indicate manifold base type, corresponding valve, and option parts.

<Example>

- Plug-in type with terminal block — In order to mount control unit, it requires 2 stations. (Manifold base) VV5FS3-01T-081-03-AP5 1 (2 position single) VFS3100-5FZ 4 (2 position double) VFS3200-5FZ 2
- Non plug-in type — In order to mount control unit, it requires 2 stations. (Manifold base) VV5FS3-10-061-03-A 1 (2 position single) VFS3110-5D 4

VK

VZ

VF

VFR

VP4

VZS

VFS

VS4

VQ7

EVS

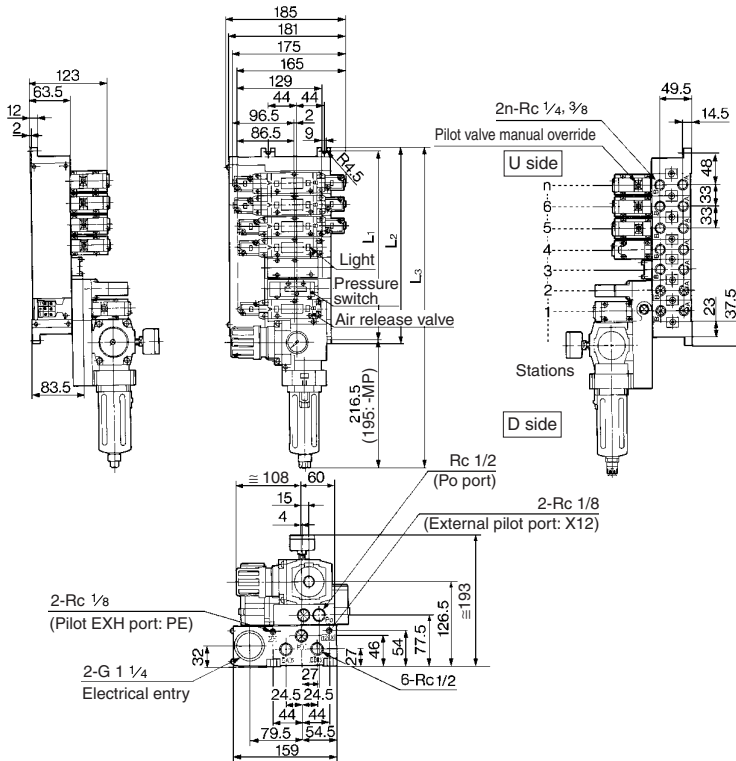
VFN

Series VFS3000

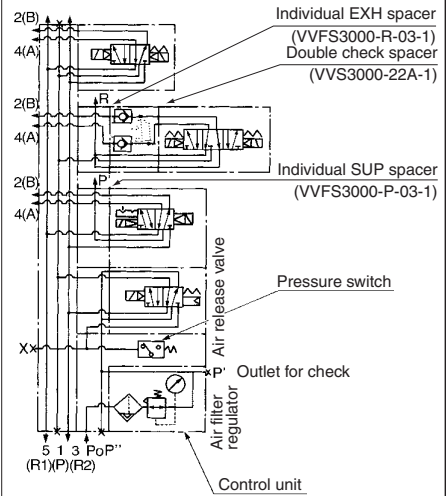
Manifold with Control Plug-in type, Non plug-in type

Plug-in type:

VVFS3-01T- Station 1- Port size -AP Voltage for release valve

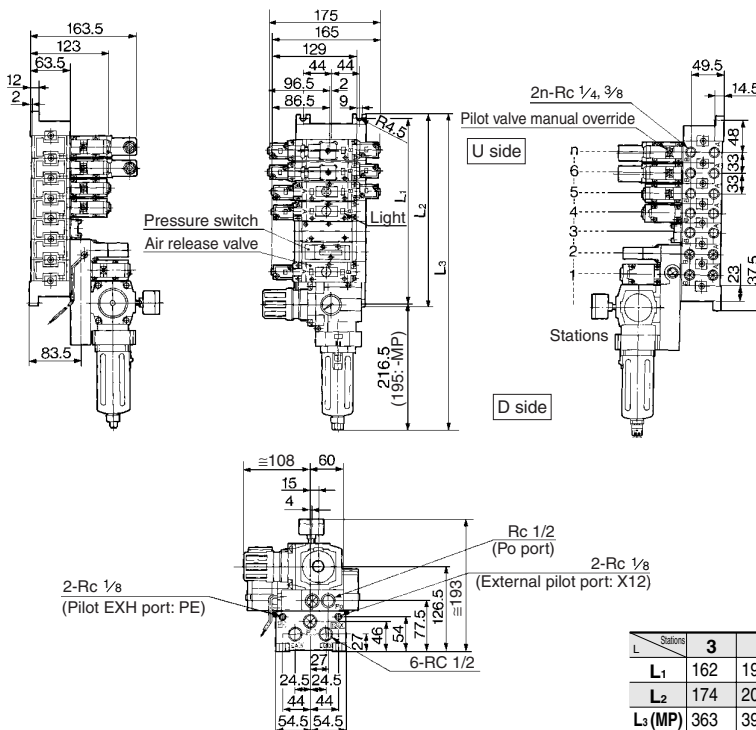


Example for manifold

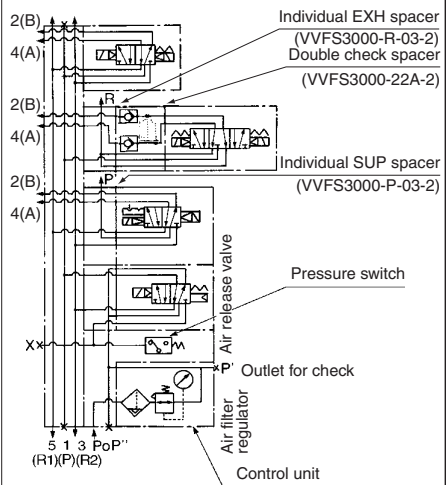


Non plug-in type:

VV5FS3-10- Station 1- Port size -AP Voltage for release valve



Example for manifold

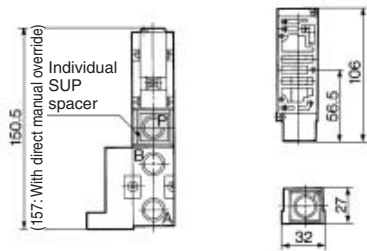


Station	3	4	5	6	7	8	9	10	Formula
L ₁	162	195	228	261	294	327	360	393	L ₁ = 33 x n + 63
L ₂	174	207	240	273	306	339	372	405	L ₂ = 33 x n + 75
L ₃ (MP)	363	396	429	462	495	528	561	594	L ₃ = 33 x n + 264
L ₃ (AP)	384.5	417.5	450.5	483.5	516.5	549.5	582.5	615.5	L ₃ = 33 x n + 285.5

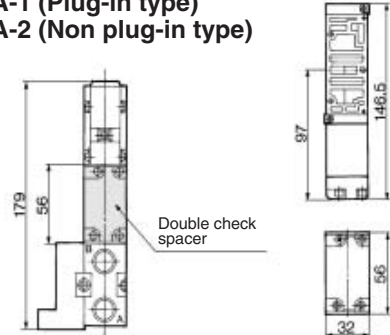
5 Port Pilot Operated Solenoid Valve Metal Seal, Plug-in/Non Plug-in Series VFS3000

Manifold Option Parts Plug-in type, Non plug-in type

Individual SUP spacer:
VVFS3000-P-03-1 (Plug-in type)
VVFS3000-P-03-2 (Non plug-in type)



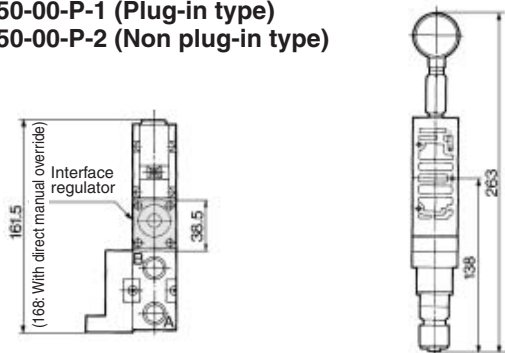
Double check spacer:
VVFS3000-22A-1 (Plug-in type)
VVFS3000-22A-2 (Non plug-in type)



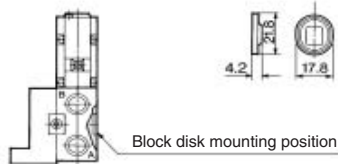
Individual EXH spacer:
VVFS3000-R-03-1 (Plug-in type)
VVFS3000-R-03-2 (Non plug-in type)



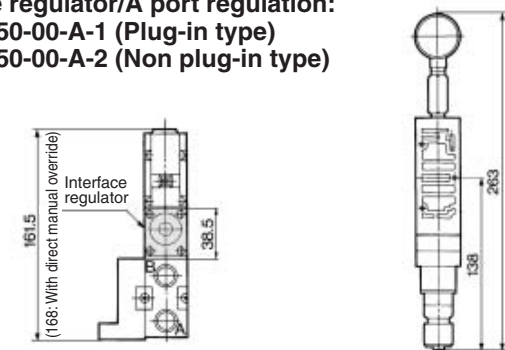
Interface regulator/P port regulation:
ARBF3050-00-P-1 (Plug-in type)
ARBF3050-00-P-2 (Non plug-in type)



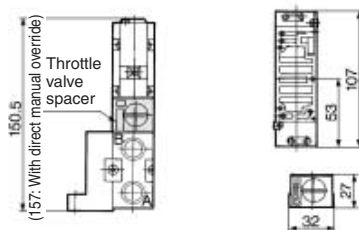
SUP/EXH block disk: AXT636-1A



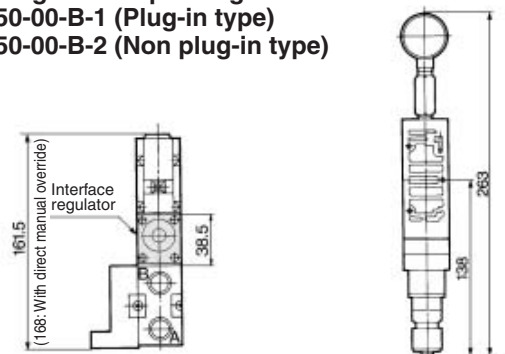
Interface regulator/A port regulation:
ARBF3050-00-A-1 (Plug-in type)
ARBF3050-00-A-2 (Non plug-in type)



Throttle valve spacer:
VVFS3000-20A-1 (Plug-in type)
VVFS3000-20A-2 (Non plug-in type)



Interface regulator/B port regulation:
ARBF3050-00-B-1 (Plug-in type)
ARBF3050-00-B-2 (Non plug-in type)



VK

VZ

VF

VFR

VP4

VZS

VFS

VS4

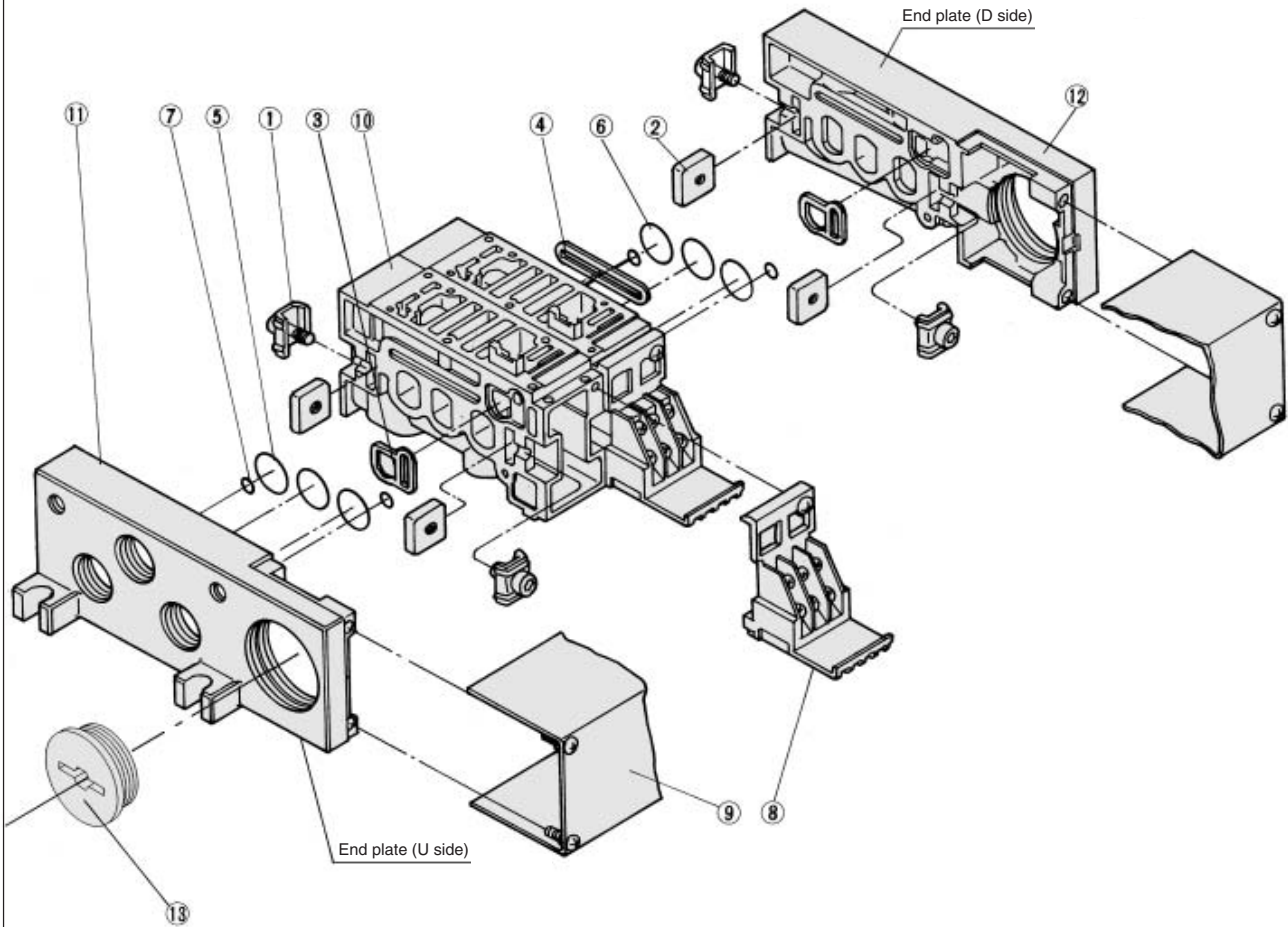
VQ7

EVS

VFN

Series VFS3000

Manifold Base Construction Plug-in type, Non plug-in type



Replacement Parts

No.	Description	Material	Part no.
①	Connection fitting A	Steel plate	VVFS3000-5-1A
②	Connection fitting B	Steel plate	VVFS3000-5-2
③	Gasket	NBR	VVFS3000-7-1
④	Gasket	NBR	VVFS3000-8
⑤	O-ring	NBR	19.8 x 16.6 x 1.6 (End plate)
⑥	O-ring	NBR	20 x 16 x 2 (Manifold block)
⑦	O-ring	NBR	6.2 x 3 x 1.6
⑧	Terminal assembly		VVFS3000-6A
⑨	Junction cover assembly	For 01T	VVFS3000-4A- ^[Stations]
		For 01SU	AZ738-22A- ^[Stations]
⑬	Rubber plug	NBR	AXT336-9

- For increasing the manifold bases, please order the manifold block assembly number of the principal part assembly ⑩. For plug-in type: The manifold base with terminal stand (integrated with a junction cover) is required with the ⑨ junction cover assembly.

Replacement Parts: Sub Assembly



Note) Manifold Base/Construction: Plug-in with terminal block.

No.	Description	Assembly part no.	Component parts	Applicable manifold base
⑩	Manifold block assembly	VVFS3000-1A-1- ⁰² / ₀₃	Manifold block ⑩, Terminal ⑧, Metal joint ①, ②, Gasket ③, ④, O-ring ⑥, ⑦, Receptacle assembly	Plug-in type
		VVFS3000-1A-2- ⁰² / ₀₃	Manifold block ⑩, Metal joint ①, ②, Gasket ③, ④, O-ring ⑥, ⑦	Non plug-in type
⑪	End plate (U side) assembly	VVFS3000-2A-1	End plate (U) ⑪, Metal joint ①, ②, O-ring ⑤, ⑥	Plug-in type
		VVFS3000-2A-2	End plate (U) ⑪, Metal joint ①, ②, O-ring ⑤, ⑥	Non plug-in type
⑫	End plate (D side) assembly	VVFS3000-3A-1	End plate (D) ⑫, Metal joint ①, ②, Gasket ③	Plug-in type
		VVFS3000-3A-2	End plate (D) ⑫, Metal joint ①, ②, Gasket ③	Non plug-in type