

HyperGain® Range Extender 5 dBi Mobile or Desktop Omni
Wireless LAN Antenna with Magnetic Base

Model: RE05U



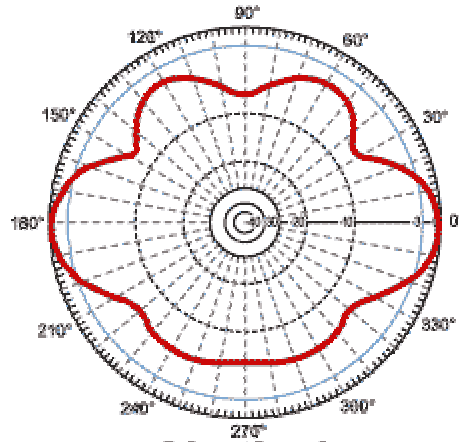
Description

This is a low cost WiFi antenna kit designed for applications where 360 degree coverage is desired. It can be used indoors or outdoors to achieve greater range than standard "rubber duck" antennas or a PC card's internal antenna. It is ideally suited for IEEE 802.11b and 802.11g wireless LANs and Bluetooth® applications and other systems operating in the 2.4GHz ISM band. The magnetic base is suitable for fixing to vehicles or other metal surfaces as well as sitting on a tabletop or shelf. This antenna features a magnetic base with attached 4 foot min* cable terminated with the appropriate radio connector, eliminating the need for a separate radio pigtail adapter.

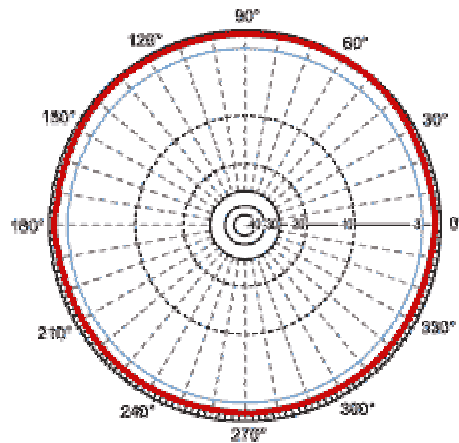
Antenna Specifications

Frequency	2400-2500 MHz
Gain	5 dBi
Impedance	50 Ohm
VSWR	< 2.0:1 avg.
Maximum Input Power	10 W
Weight	< 1.0 lbs (.45 kg).
Length	6" (152.4 mm)
Operating Temperature	-40° C to to 85° C (-40° F to 185° F)
Polarization	Vertical
RoHS Compliant	Yes

RF Antenna Gain Patterns



Vertical



Horizontal