

Item # 9415-005 6 figure, panel mount, lock and key reset



6 figure, panel mount, lock and key reset

A 6 figure, battery powered, push-button or key reset, electronic counter, available in base mount or panel mount configuration. No external power supply is required. Large 0.50 inch (12mm) LCD figures for fast, easy reading. Operates at 6-240 VAC or VDC. Long lasting internal lithium battery. Attractive styling and silent operation make these models equally well-suited for lab or office equipment applications.

Specifications

Model No.	94
Mounting	Panel Mount
Display	6 LCD figures, 0.50 inch (12mm) high
Display Height	0.50 Inch
Display Height	12 mm
No. of Digits	6
Voltage	6-240 VAC/VDC
Vih	6VAC/VDC min.
Vil	2VAC/VDC max.
Battery	Internal Lithium Battery
Reset Type	Lock and key
Speed	0-40 counts/second (min. 12.5ms - on, 12.5ms - off)
Operating Temperature	-14 to +122 °F
Operating Temperature	-26 to +50 °C
Termination	(2) No. 22 AWG 221°F (105°C) wire leads, 8 inch (203mm) long
Mounting Hole Dia.	0.17 Inch
Mounting Hole Dia.	4.3 mm
Weight	18 oz
Weight	510 gm
Stock Availability	Yes
Panel Cutout	4.75 x 1.50 Inch
Panel Cutout	76.2 x 44.5 mm



Description

A 6 figure, battery powered, push-button or key reset, electronic counter, available in base mount or panel mount configuration. No external power supply is required. Large 0.50" [12mm] LCD figures for fast, easy reading. Operates at 6-240 VAC or VDC. Long lasting internal lithium battery. Attractive styling and silent operation make these models equally well-suited for lab or office equipment applications.

Features

- No external power supply needed
- Long life lithium battery
- Large easy reading display
- Operates at 6 to 240 VAC or VDC

Options

- Non-reset
- Remote reset

Specifications

Figures:	6 LCD figures, 0.50" [12mm] high	Mounting:	Base or panel
Reset:	Push-button, or lock and key	Terminations:	(2) #22 AWG 221°F [105° C] wire leads, 8" [203mm] long
Speed:	0-40 counts/second, (min. 12.5ms - on, 12.5ms - off)	Temp. Range:	-14°F to +122°F [-26°C to +50°C]
Input:	6-240VAC or VDC	Power Source:	Internal lithium battery
	Vih 6VAC/VDC minimum	Weight:	18 oz. [510g]
	Vil 2VAC/VDC maximum		

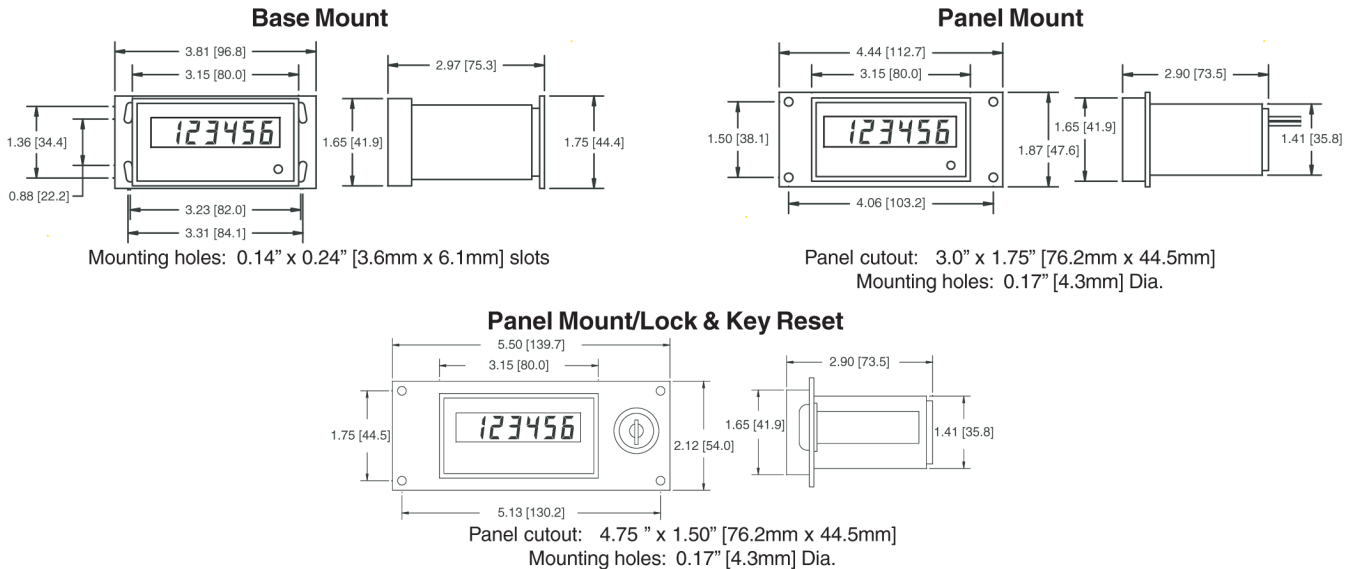
Note: When interfacing the Model 94 with a Solid State Relay or AC Sensor, the leakage current needs to be considered.

Models Description

9415-001	6 figure, base mount, push-button reset
9415-003	6 figure, panel mount, push-button reset
9415-005	6 figure, panel mount, lock and key reset

* Items in bold are normally in factory stock.

Dimensions

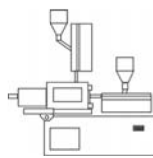


Applications

Office equipment



Production



Test labs



Control panels

