

Linear	Desktop
Enclosed or L Bracket	Open Frame
PCB Mount	Rack Mount Hot Swap

# AC-DC Selector

Applications	# of Outputs	Output Power (W)											
		5	10	15	30	50	100	300	500	1000	1500	2500	
High Reliability Industrial (Five Year Warranty)	Single				NNS								
					HWS								
							JWS						
									LZSA				
	Dual			NND									
	Triple					JWT							
Industrial (Three Year Warranty)	Single & Multiple		HK-A (Single Output, 115VAC input)										
							NV						
				MTW									
								Vega					
							Alpha						
			LS										
Datacom Commercial (One - Two Year Warranty)	Single		KW, KPS, KM										
			ZWS, ZWSAF, ZWSPAF										
					DT								
				H									
					SC, SC120, ZP								
						SWS							
							PFE						
								FPS (1U)					
								TH (1U)					
		Multiple		KW, KM									
				LWD, LWT									
				H									
				DT									
					SC, ZP								
					ZWD, ZWQ								
Programmable	Single						ZUP						
DIN Rail Mount	Single				DSP, DPP, DLP-PU*								
						DLP							

\* See website

# DLP-PU Series

## Power Supply Parallel or Redundancy Module



- ◆ OR-ing Diodes Included
- ◆ Alarm Signals
- ◆ LED Indicators
- ◆ DIN Rail Mounting

**RoHS**

### Features and Benefits

#### Feature

- ◆ Internal ORing Diodes
- ◆ Can connect two units in parallel
- ◆ Output voltage monitoring (via relays)
- ◆ DIN Rail Mounting

#### Benefit

- ◆ Allows redundant operating
- ◆ Enables system scalability
- ◆ Remote alarm notification
- ◆ Easier system integration

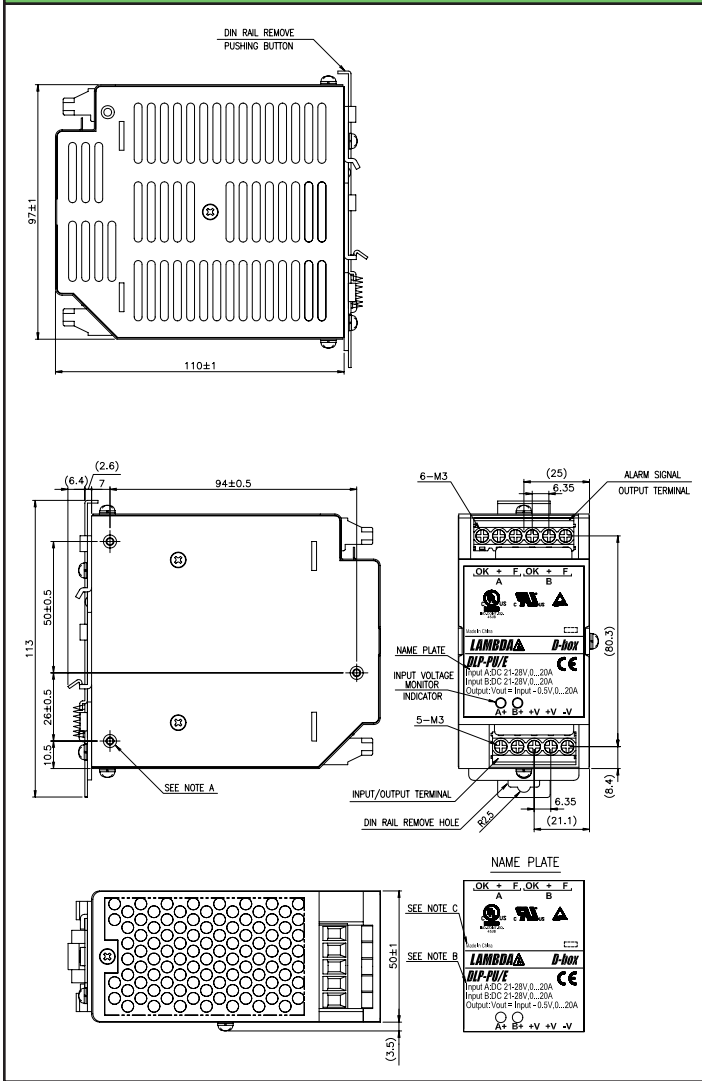
### Specifications

MODELS		DLP-PU/E
ITEMS		
Input Voltage Range	VDC	21 - 28VDC
Number of inputs	-	Two
Maximum Input Current	A	20A per input
Maximum Output Current	A	20A
Overcurrent protection	-	None
Voltage Drop	VDC	0.5V
Maximum Reverse Voltage	VDC	35VDC
LED Indicators	-	Two green LEDs indicating each input is "good"
Input Voltage Alarm	-	Relay off when input is <math> < 19.2V (\pm 1\%) < /math> or <math> > 30V (\pm 5\%) < /math>. NO and NC contacts
Relay contact rating (max)	-	28VDC, 1A or 120VAC, 0.5A (5mA minimum recommended)
Cooling	-	Convection
Operating Temperature	-	-10 to +70°C, derate linearly to 60% from 60 to 70°C
Storage Temperature	-	-30 to +90°C
Humidity	-	Operating: 30 - 90%RH, Storage: 10 - 95%RH (non condensing)
Withstand Voltage	-	Input or Output - Chassis, Input or Output - Relay Contacts, Relay Contacts to Chassis; 500VAC for 1 min.
Isolation Resistance	-	Input or Output - Chassis, Input or Output - Relay Contacts, Relay Contacts to Chassis; >10M Ohms at 25°C, 70%RH and 500VDC
Vibration	-	Non operating, mounted on DIN Rail, 10-55Hz (sweep for 1 min), 9.8m/s <sup>2</sup> constant X, Y, Z each for 1 hour
Shock	-	196m/s <sup>2</sup>
Safety Agency Approval	-	UL60950-1, CSA60950-1, EN60950-1, UL508, CSA22.2 No.14, EN60529 IP20, EN50178 Cat 1
Size	mm/in	50 x 97 x 110mm, 1.97x 3.81 x 4.33"
Weight	g	470g
Warranty	yrs	Three Years

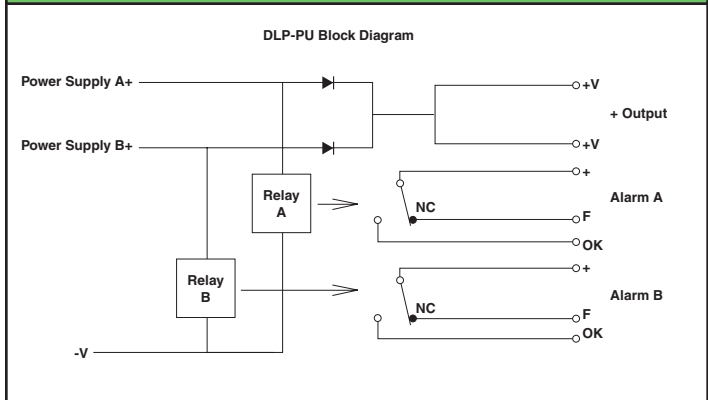
Note:

See Installation Manual for full details, test methods of parameters and application notes

## Outline Drawing



## Block Diagram



## Other Lambda DIN Rail Products

- DLP 75W to 240W power supplies
- DPP/DSP 10W to 480W low cost power supplies
- MC/MZ/MA/MX 6A to 30A single & three phase EMI Filters

**Snap-on Mounting:** snap onto DIN Rail TS35/7.5 or TS35/15.  
(no tools required)