



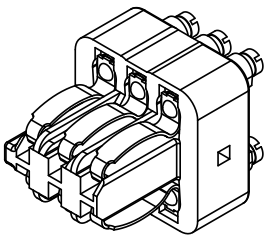
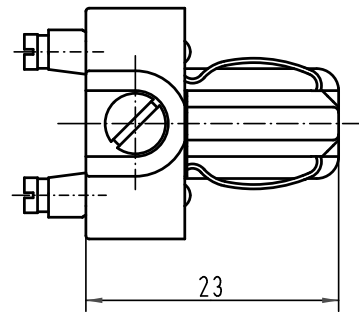
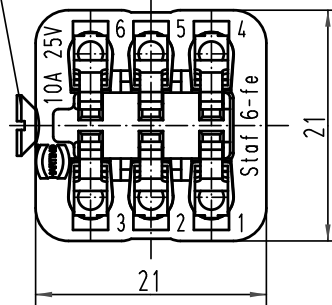
Product details



09 70 006 2813

Female insert, Staf 6

| | |
|----------------------|--------------------|
| Series | Staf® |
| Number of contacts | 6 poles without PE |
| Size of hood/housing | Han® 3 A |
| Termination | Screw termination |
| Insert material | Standard material |
| Contacts | Inclusive |
| Electrical data | 10 A 50 V 0.8 kV 3 |
| RoHS compliant | Yes |

Senkblechschraube/ countersunk screw
ISO 1482- ST2,9x13-F



|  All Dimensions in mm Original Size DIN A 4 | | | Techn. Character. | | | Nicht tolerierte Maß/Free size tolerances | | | | |
|---|----------|------|---|------------------|---------------|---|--|-----|--|--|
| | | | Dat. | Name | Maßstab/Scale | Staf 6-fe-s Federeinsatz/female insert (M) | | | | |
| | | | Detail. | 15.02.93 ENGLISH | | | | 2:1 | TB 09 70 006 2813 Sub. TB 09 70 006 2813 v.19.05.71 | |
| | | | Insp. | HERB | | | | | | |
| 414073 | 14.08.08 | Rull | Stand. | | | | | | | |
| 413578 | 18.01.08 | Ho | HARTING Electric GmbH & Co. KG D-32339 Espelkamp | | |  | | | | |
| 30494 | 13.03.02 | DY | | | | | | | | |
| Mod. | Dat. | Name | | | | | | | | |

Blatt/ page