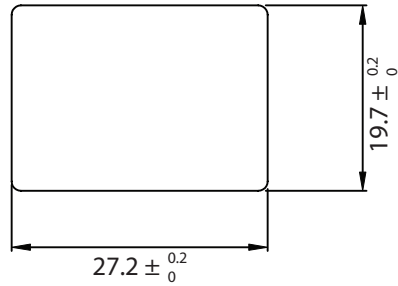
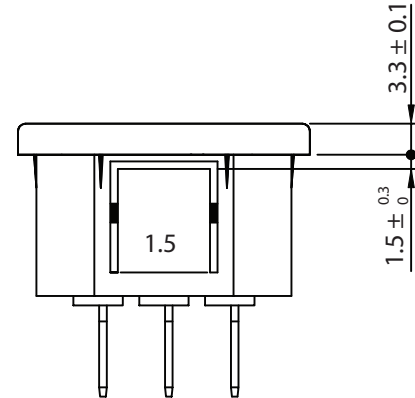
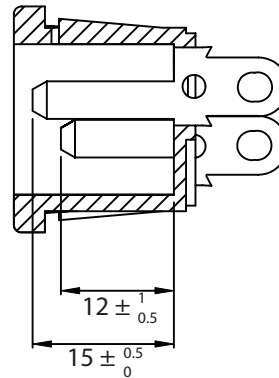
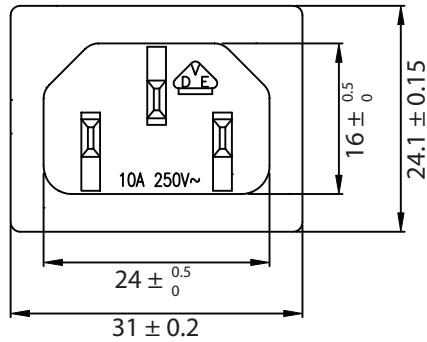
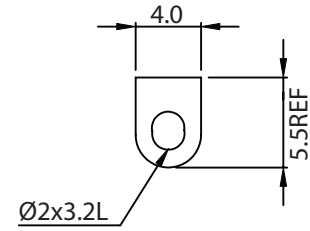
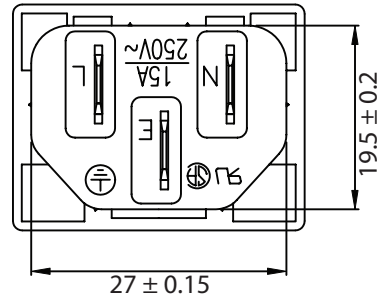


THESE DRAWINGS ARE THE PROPERTY OF QUALTEK ELECTRONICS AND NOT TO BE REPRODUCED FOR OR COMMUNICATED TO A THIRD PARTY WITHOUT THE EXPRESS WRITTEN PERMISSION OF AN OFFICER OF QUALTEK ELECTRONICS.

| REVISION | | | |
|----------|-------------------|----------|----------|
| REV. | DESCRIPTION | DATE | APPROVED |
| B | RoHS Compliancy | 06-01-06 | DP |
| C | Updated Approvals | 07-18-08 | DP |



PANEL CUTOUT



NOTES:

RATING:

UL, CSA: 15A 250V AC

VDE: 10A 250V AC

APPROVALS: UL, CSA, VDE, CCC

PANEL THICKNESS: 1.5mm

RoHS COMPLIANT

CONTROLLED

| Dim range (mm) | | Tolerance +/- (mm) | | Qualtek Electronics Corp. PPC DIVISION | |
|----------------|--|--------------------|--|--|--|
| 0-1 | | 0.15 | | Part Number: 701W-15/21 RoHS Compliant | |
| 1-6 | | 0.20 | | Description: SNAP-IN INLET | |
| 6-18 | | 0.30 | | UNIT: mm REV. C | |
| 18-50 | | 0.50 | | Drawn / Date Checked / Date Approved / Date | |
| 50-120 | | 0.70 | | B.ZHANG 01-21-03 01-21-03 JH / 01-21-03 | |
| 120-250 | | 0.90 | | | |
| 250-500 | | 1.20 | | | |