

Improved Quad CMOS Analog Switches

FEATURES

- ± 22 -V Supply Voltage Rating
- TTL and CMOS Compatible Logic
- Low On-Resistance— $r_{DS(on)}$: 50 Ω
- Low Leakage— $I_{D(on)}$: 20 pA
- Single Supply Operation Possible
- Extended Temperature Range
- Fast Switching— t_{ON} : 120 ns
- Low Charge Injection— Q : 1 pC

BENEFITS

- Wide Analog Signal Range
- Simple Logic Interface
- Higher Accuracy
- Minimum Transients
- Reduced Power Consumption
- Superior to DG211/212
- Space Savings (TSSOP)

APPLICATIONS

- Industrial Instrumentation
- Test Equipment
- Communications Systems
- Disk Drives
- Computer Peripherals
- Portable Instruments
- Sample-and-Hold Circuits

DESCRIPTION

The DG211B/212B analog switches are highly improved versions of the industry-standard DG211/212. These devices are fabricated in Vishay Siliconix' proprietary silicon gate CMOS process, resulting in lower on-resistance, lower leakage, higher speed, and lower power consumption.

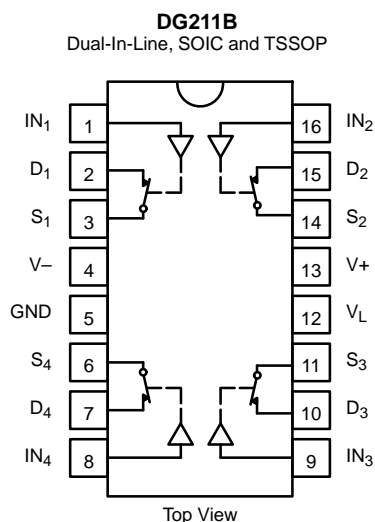
These quad single-pole single-throw switches are designed for a wide variety of applications in telecommunications, instrumentation, process control, computer peripherals, etc. An improved charge injection compensation design minimizes switching transients. The DG211B and DG212B can handle

up to ± 22 V, and have an improved continuous current rating of 30 mA. An epitaxial layer prevents latchup.

All devices feature true bi-directional performance in the on condition, and will block signals to the supply levels in the off condition.

The DG211B is a normally closed switch and the DG212B is a normally open switch. (See Truth Table.)

FUNCTIONAL BLOCK DIAGRAM AND PIN CONFIGURATION



| TRUTH TABLE | | |
|-------------|--------|--------|
| Logic | DG211B | DG212B |
| 0 | ON | OFF |
| 1 | OFF | ON |

Logic "0" ≤ 0.8 V
Logic "1" ≥ 2.4 V

| ORDERING INFORMATION | | |
|----------------------|--------------------|-------------|
| Temp Range | Package | Part Number |
| -40 to 85 °C | 16-Pin Plastic DIP | DG211BDJ |
| | | DG212BDJ |
| | 16-Pin Narrow SOIC | DG211BDY |
| | | DG212BDY |
| | 16-Pin TSSOP | DG211BDQ |
| | | DG212BDQ |

ABSOLUTE MAXIMUM RATINGS

Voltages Referenced to V-

V+ 44 V

GND 25 V

Digital Inputs^a V_S, V_D (V-) -2 V to (V+) +2 V
or 30 mA, whichever occurs first

Current, Any Terminal 30 mA

Peak Current, S or D

(Pulsed at 1 ms, 10% duty cycle max) 100 mA

Storage Temperature -65 to 125 °C

Power Dissipation (Package)^b

16-Pin Plastic DIP^c 470 mW

16-Pin Narrow SOIC and TSSOP^d 640 mW

Notes:

- Signals on S_X, D_X, or IN_X exceeding V+ or V- will be clamped by internal diodes. Limit forward diode current to maximum current ratings.
- All leads welded or soldered to PC Board.
- Derate 6.5 mW/°C above 75 °C
- Derate 7.6 mW/°C above 75 °C

SCHEMATIC DIAGRAM (TYPICAL CHANNEL)

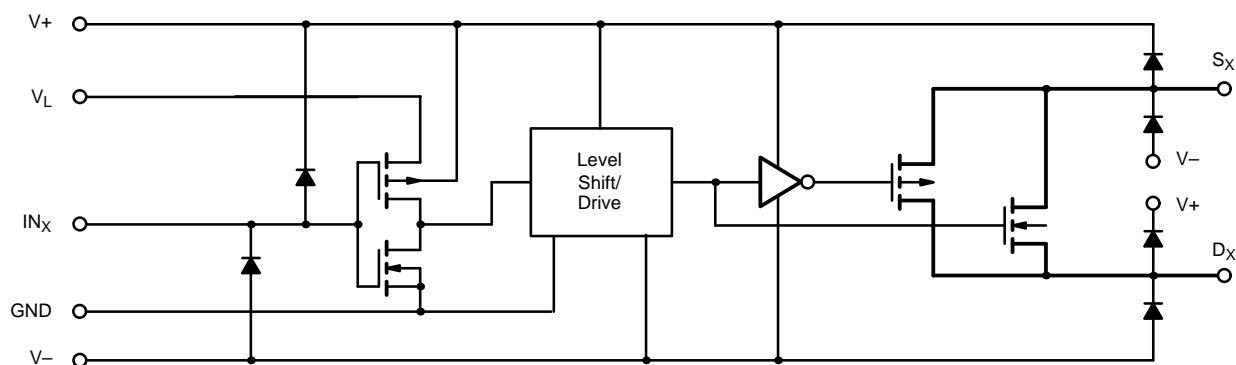


FIGURE 1.



| SPECIFICATIONS | | | | | | | |
|---|------------------------|---|-------------------|-------------------------|------------------|------------------|---------------|
| Parameter | Symbol | Test Conditions Unless Otherwise Specified $V_+ = 15\text{ V}, V_- = -15\text{ V}$ $V_L = 5\text{ V}, V_{IN} = 2.4\text{ V}, 0.8\text{ V}^e$ | Temp ^a | D Suffix -40 to 85°C | | | Unit |
| | | | | Min ^b | Typ ^c | Max ^b | |
| Analog Switch | | | | | | | |
| Analog Signal Range ^d | V_{ANALOG} | | Full | -15 | | 15 | V |
| Drain-Source On-Resistance | $r_{DS(on)}$ | $V_D = \pm 10\text{ V}, I_S = 1\text{ mA}$ | Room | | 45 | 85 | Ω |
| $r_{DS(on)}$ Match | $\Delta r_{DS(on)}$ | | Full | | 2 | 100 | |
| Source Off Leakage Current | $I_{S(off)}$ | $V_S = \pm 14\text{ V}, V_D = \mp 14\text{ V}$ | Room | -0.5 | ± 0.01 | 0.5 | nA |
| Drain Off Leakage Current | $I_{D(off)}$ | $V_D = \pm 14\text{ V}, V_S = \mp 14\text{ V}$ | Full | -5 | ± 0.01 | 5 | |
| Drain On Leakage Current | $I_{D(on)}$ | $V_S = V_D = \pm 14\text{ V}$ | Room | -0.5 | ± 0.02 | 0.5 | |
| | | | Full | -10 | | 10 | |
| Digital Control | | | | | | | |
| Input Voltage High | V_{INH} | | Full | 2.4 | | | V |
| Input Voltage Low | V_{INL} | | Full | | | 0.8 | |
| Input Current | I_{INH} or I_{INL} | V_{INH} or V_{INL} | Full | -1 | | 1 | μA |
| Input Capacitance | C_{IN} | | Room | | 5 | | pF |
| Dynamic Characteristics | | | | | | | |
| Turn-On Time | t_{ON} | $V_S = 10\text{ V}$ See Figure 2 | Room | | | 300 | ns |
| Turn-Off Time | t_{OFF} | | Room | | | 200 | |
| Charge Injection | Q | $C_L = 1000\text{ pF}, V_g = 0\text{ V}, R_g = 0\ \Omega$ | Room | | 1 | | pC |
| Source-Off Capacitance | $C_{S(off)}$ | $V_S = 0\text{ V}, f = 1\text{ MHz}$ | Room | | 5 | | pF |
| Drain-Off Capacitance | $C_{D(off)}$ | | Room | | 5 | | |
| Channel On Capacitance | $C_{D(on)}$ | $V_D = V_S = 0\text{ V}, f = 1\text{ MHz}$ | Room | | 16 | | |
| Off Isolation | OIRR | $C_L = 15\text{ pF}, R_L = 50\ \Omega$ $V_S = 1\text{ V}_{RMS}, f = 100\text{ kHz}$ | Room | | 90 | | dB |
| Channel-to-Channel Crosstalk | X_{TALK} | | Room | | 95 | | |
| Power Supply | | | | | | | |
| Positive Supply Current | I_+ | $V_{IN} = 0\text{ or }5\text{ V}$ | Room | | | 10 | μA |
| Negative Supply Current | I_- | | Full | | -10 | 50 | |
| Logic Supply Current | I_L | Room | | | | 10 | |
| Power Supply Range for Continuous Operation | V_{OP} | | Full | ± 4.5 | | ± 22 | V |



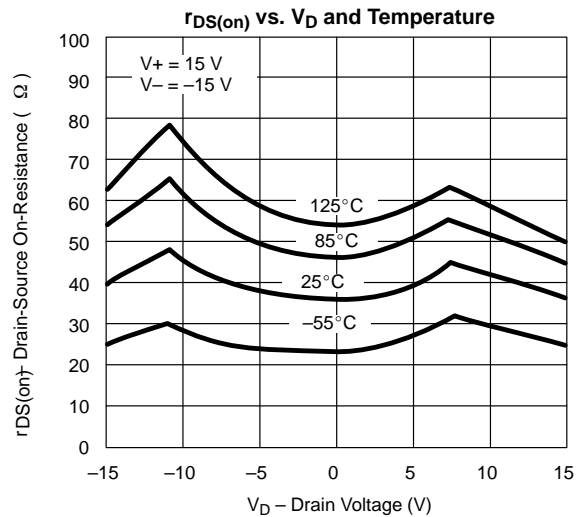
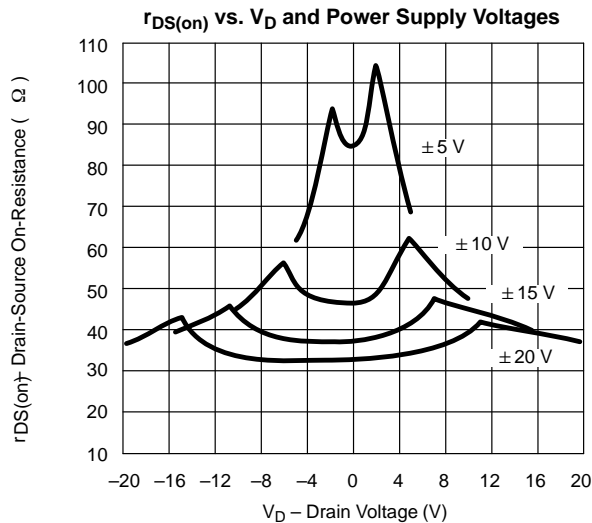
SPECIFICATIONS FOR SINGLE SUPPLY

| Parameter | Symbol | Test Conditions Unless Otherwise Specified $V_+ = 12\text{ V}, V_- = 0\text{ V}$ $V_L = 5\text{ V}, V_{IN} = 2.4\text{ V}, 0.8\text{ V}^e$ | Temp ^a | D Suffix -40 to 85°C | | | Unit |
|---|--------------|---|-------------------|-------------------------|------------------|------------------|---------------|
| | | | | Min ^b | Typ ^c | Max ^b | |
| Analog Switch | | | | | | | |
| Analog Signal Range ^d | V_{ANALOG} | | Full | 0 | | 12 | V |
| Drain-Source On-Resistance | $r_{DS(on)}$ | $V_D = 3\text{ V}, 8\text{ V}, I_S = 1\text{ mA}$ | Room Full | | 90 | 160 200 | Ω |
| Dynamic Characteristics | | | | | | | |
| Turn-On Time | t_{ON} | $V_S = 8\text{ V}$ See Figure 2 | Room | | | 300 | ns |
| Turn-Off Time | t_{OFF} | | Room | | | 200 | |
| Charge Injection | Q | $C_L = 1\text{ nF}, V_{gen} = 6\text{ V}, R_{gen} = 0\ \Omega$ | Room | | 4 | | pC |
| Power Supply | | | | | | | |
| Positive Supply Current | I_+ | $V_{IN} = 0\text{ or }5\text{ V}$ | Room Full | | | 10 50 | μA |
| Negative Supply Current | I_- | | Room Full | -10 -50 | | | |
| Logic Supply Current | I_L | | Room Full | | | 10 50 | |
| Power Supply Range for Continuous Operation | V_{OP} | | Full | +4.5 | | +25 | V |

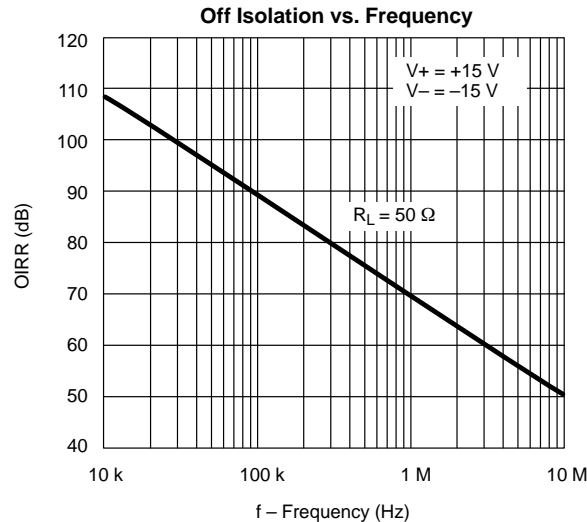
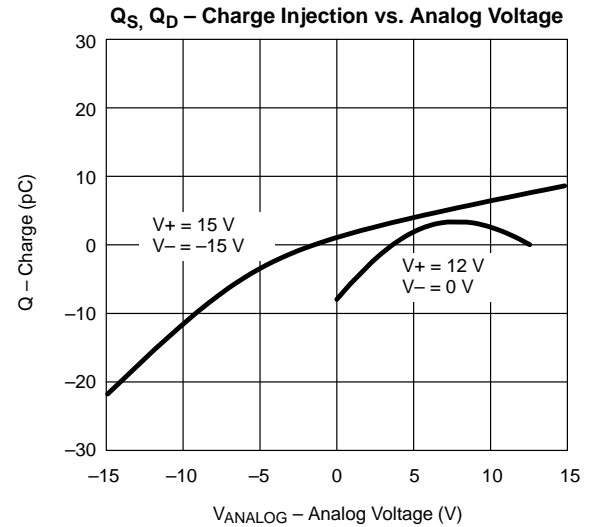
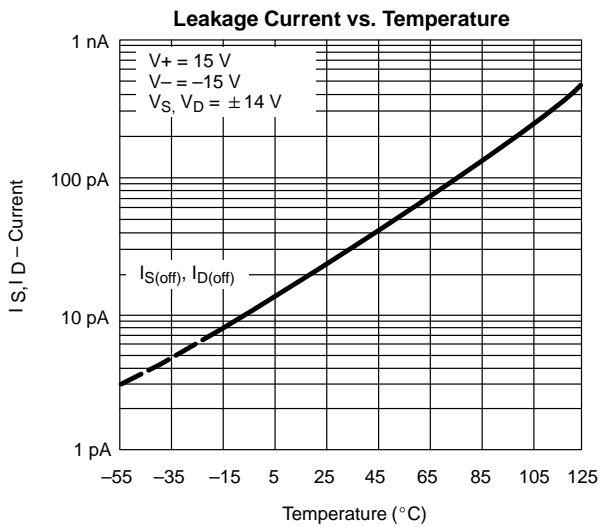
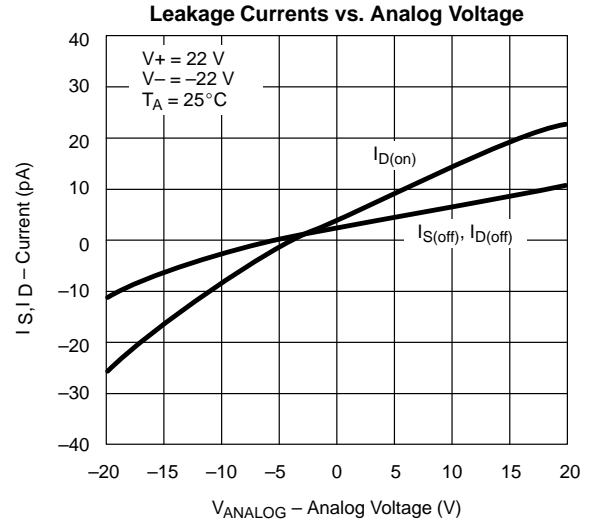
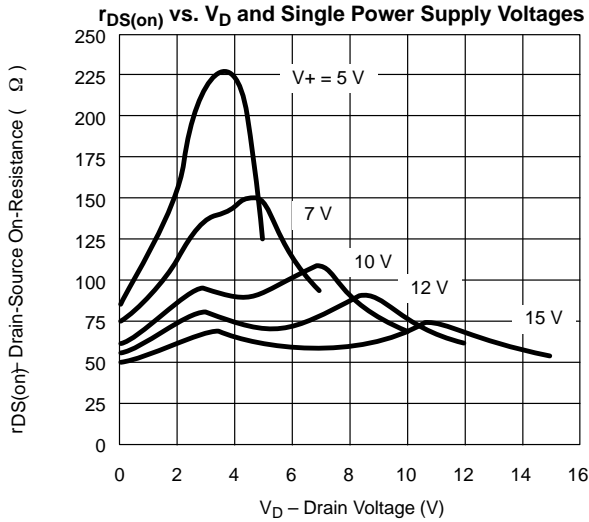
Notes:

- Room = 25°C, Full = as determined by the operating temperature suffix.
- The algebraic convention whereby the most negative value is a minimum and the most positive a maximum, is used in this data sheet.
- Typical values are for DESIGN AID ONLY, not guaranteed nor subject to production testing.
- Guaranteed by design, not subject to production test.
- V_{IN} = input voltage to perform proper function.

TYPICAL CHARACTERISTICS (25°C UNLESS NOTED)



TYPICAL CHARACTERISTICS (25°C UNLESS NOTED)



TEST CIRCUITS

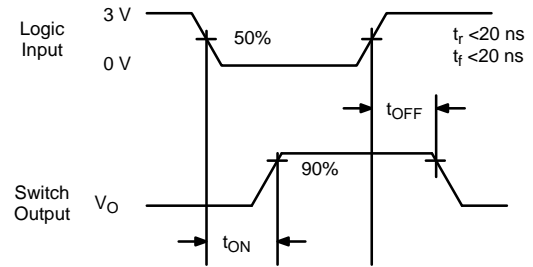
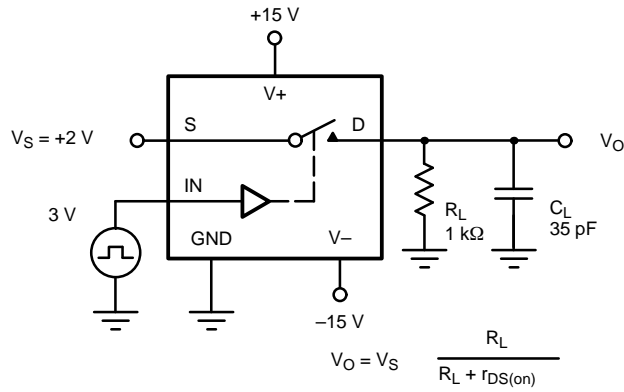


FIGURE 2. Switching Time

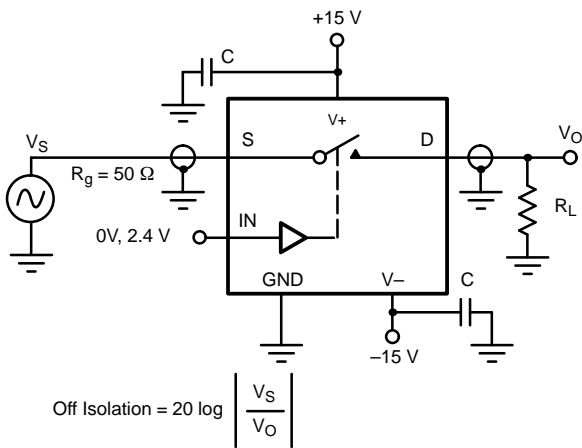


FIGURE 3. Off Isolation

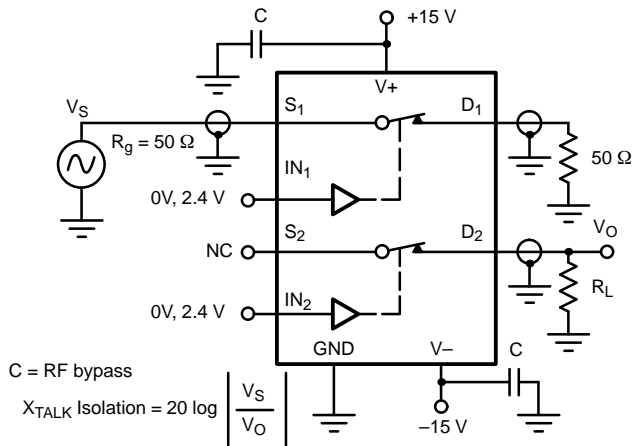
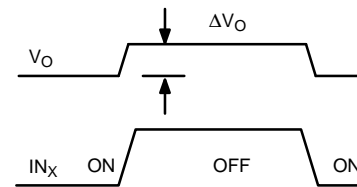
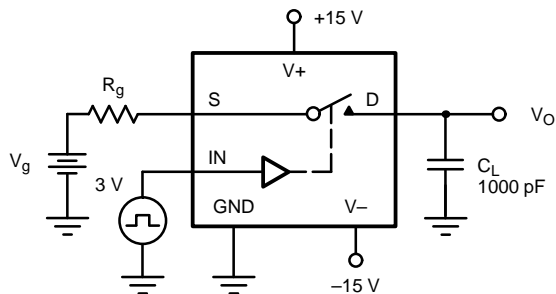
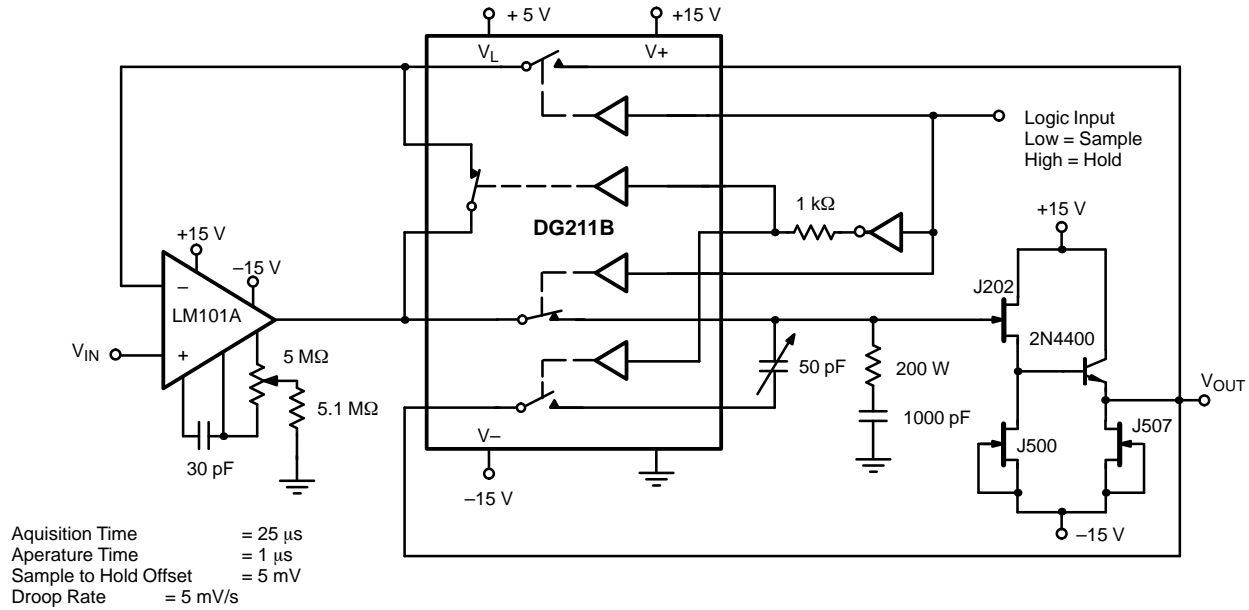
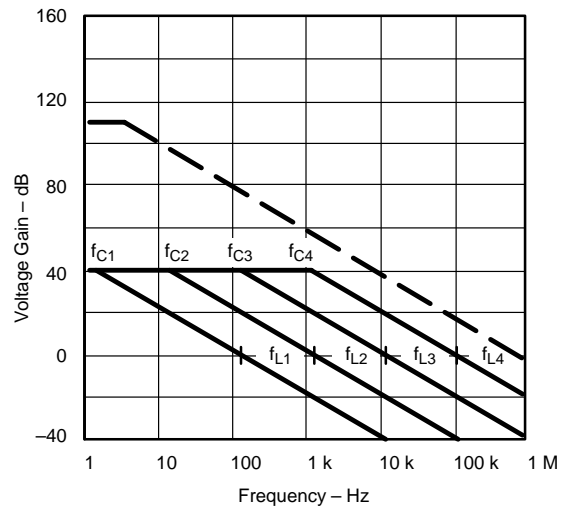
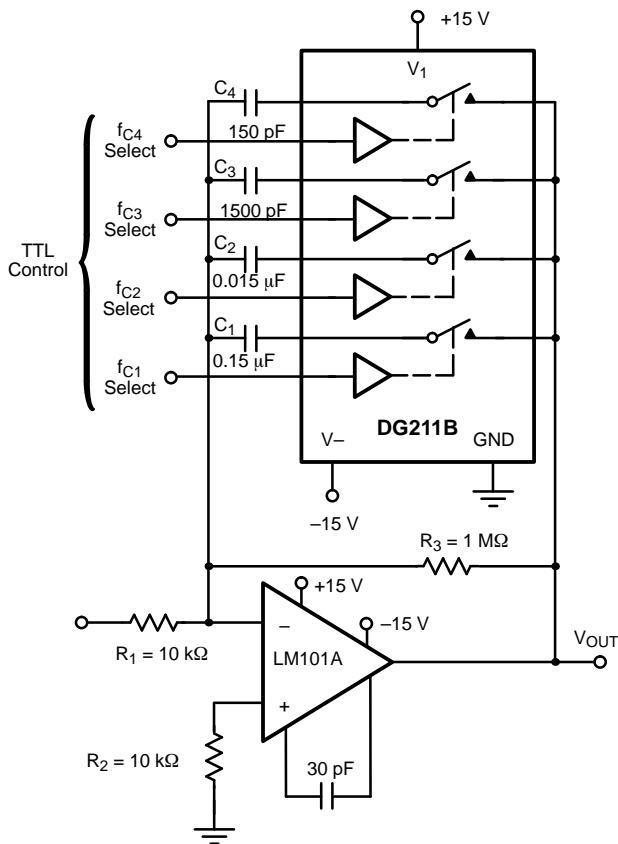


FIGURE 4. Channel-to-Channel Crosstalk



$\Delta V_O = \text{measured voltage error due to charge injection}$
The charge injection in coulombs is $Q = C_L \times \Delta V_O$

FIGURE 5. Charge Injection

APPLICATIONS

FIGURE 6. Sample-and-Hold


$$A_L \text{ (Voltage Gain Below Break Frequency)} = \frac{R_3}{R_1} = 100 \text{ (40 dB)}$$

$$f_C \text{ (Break Frequency)} = \frac{1}{2\pi R_3 C_X}$$

$$f_L \text{ (Unity Gain Frequency)} = \frac{1}{2\pi R_1 C_X}$$

$$\text{Max Attenuation} = \frac{\Gamma_{DS(on)}}{10 \text{ k}\Omega} \approx -47 \text{ dB}$$

FIGURE 7. Active Low Pass Filter with Digitally Selected Break Frequency

APPLICATIONS

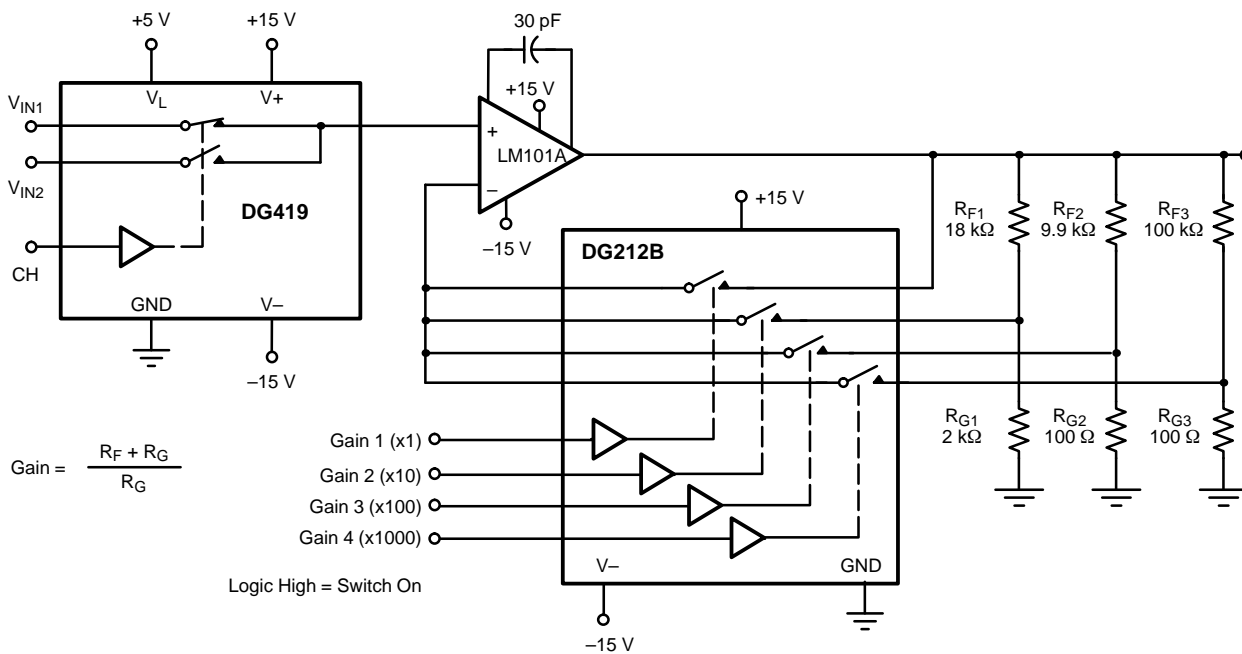


FIGURE 8. A Precision Amplifier with Digitally Programmable Input and Gains



Notice

Specifications of the products displayed herein are subject to change without notice. Vishay Intertechnology, Inc., or anyone on its behalf, assumes no responsibility or liability for any errors or inaccuracies.

Information contained herein is intended to provide a product description only. No license, express or implied, by estoppel or otherwise, to any intellectual property rights is granted by this document. Except as provided in Vishay's terms and conditions of sale for such products, Vishay assumes no liability whatsoever, and disclaims any express or implied warranty, relating to sale and/or use of Vishay products including liability or warranties relating to fitness for a particular purpose, merchantability, or infringement of any patent, copyright, or other intellectual property right.

The products shown herein are not designed for use in medical, life-saving, or life-sustaining applications. Customers using or selling these products for use in such applications do so at their own risk and agree to fully indemnify Vishay for any damages resulting from such improper use or sale.