

**60/90/120/180/240/480-W Models****Improved Versions of Standard-type Power Supplies without Indication Monitor (60 to 240 W). EMI Class B Compliant.**

- New 90-W models that conform to UL Class 2 standards.
- New models with screwless terminal blocks and without indication monitor (except that 480-W models have an indication monitor).
- Status displayed on 3-digit, 7-segment display.
- Safety standards:
  - UL508/60950-1,
  - CSA C22.2 No. 14/60950-1 (15-W, 30-W, 60-W to 240-W models with Indication monitor),
  - CSA C22.2 No. 107.1/60950-1 (60-W to 240-W standard, 480-W models),
  - EN 50178 (= VDE0160),
  - EN 60950-1 (= VDE0805 Teil 1)
- Compact: 150 × 115 × 127.2 mm (W × H × D) (480-W models).

**15/30-W Models****Compact, Thin Power Supplies That Mount Just About Anywhere to Contribute to Control Panel Downsizing**

- Compact and thin: 22.5 × 85 × 96.5 mm (W × H × D).
- Three mounting directions (standard, horizontal, facing horizontal).
- Mounting directly to the panel is possible.
- Safety standards:
  - UL508/60950-1/1604, cUL: CSA C22.2 No. 14/60950-1/213,
  - EN50178 (= VDE0160), EN60950-1 (= VDE0805 Teil 1).

**Features Common to All Models**

- Mount to DIN Rail.
- Complies with SEMI F47-0200 (200-VAC input).
- RoHS-compliant.

## Model Number Structure

### Model Number Legend

**Note:** Not all combinations are possible. Refer to *List of Models* in *Ordering Information*, below.

S8VS- 

--	--	--	--	--	--	--	--	--

-

--

1    2    3    4    5    6

#### 1. Power Ratings

015: 15 W  
 030: 30 W  
 060: 60 W  
 090: 90 W  
 120: 120 W  
 180: 180 W  
 240: 240 W  
 480: 480 W

#### 2. Output voltage

05: 5 V  
 12: 12 V  
 24: 24 V

#### 3. Indication monitor

None: Without indication monitor (standard model)  
 A: With indication monitor (maintenance forecast monitor)  
 B: With indication monitor (total run time monitor)

#### 4. Alarm output

None: Sinking \*  
 P: Sourcing

**Note:** No alarm output possible with 60-W models.

\* Both sinking and sourcing outputs are available for 480-W models.

#### 5. UL Class 2 Standards

None: Does not conform. \*  
 S: Conforms.

\* 15-W, 30-W, and 60-W models conform to Class 2 standards.

#### 6. Terminal Block Form

None: Screw terminal block  
 F: Screwless terminal block

## Ordering Information

### List of Models

**Note:** For details on normal stock models, contact your nearest OMRON representative.

#### Models without Indication Monitor (Standard Models)

Power ratings	Input voltage	Output voltage	Output current	Model number (screw terminal block)	Model number (screwless terminal block)
15 W	100 to 240 VAC	5 V	2.0 A	S8VS-01505 *1	---
		12 V	1.2 A	S8VS-01512	
		24 V	0.65 A	S8VS-01524	
30 W		5 V	4.0 A	S8VS-03005 *2	
		12 V	2.5 A	S8VS-03012	
		24 V	1.3 A	S8VS-03024	
60 W		24 V	2.5 A	S8VS-06024	S8VS-06024-F
90 W				3.75 A	S8VS-09024
			S8VS-09024S		S8VS-09024S-F
120 W			5 A	S8VS-12024	S8VS-12024-F
180 W			7.5 A	S8VS-18024	S8VS-18024-F
240 W			10 A	S8VS-24024	S8VS-24024-F
480 W	20 A Peak current 30 A (200 VAC)		S8VS-48024	S8VS-48024-F	

\*1. The output capacity of the S8VS-01505 is 10 W.

\*2. The output capacity of the S8VS-03005 is 20 W.

#### Models with Indication Monitor (Maintenance Forecast Monitor)

Power ratings	Input voltage	Output voltage	Output current	Alarm output	Model number (screw terminal block)	Model number (screwless terminal block)
60 W	100 to 240 VAC	24 V	2.5 A	---	S8VS-06024A	---
90 W				Sinking	S8VS-09024A	
			Sourcing		S8VS-09024AP	
120 W			Sinking	S8VS-12024A		
				Sourcing	S8VS-12024AP	
180 W			Sinking	S8VS-18024A		
				Sourcing	S8VS-18024AP	
240 W			Sinking	S8VS-24024A		
				Sourcing	S8VS-24024AP	
480 W			20 A Peak current 30 A (200 VAC)	Sinking/ sourcing	S8VS-48024A	S8VS-48024A-F

#### Models with Indication Monitor (Total Run Time Monitor)

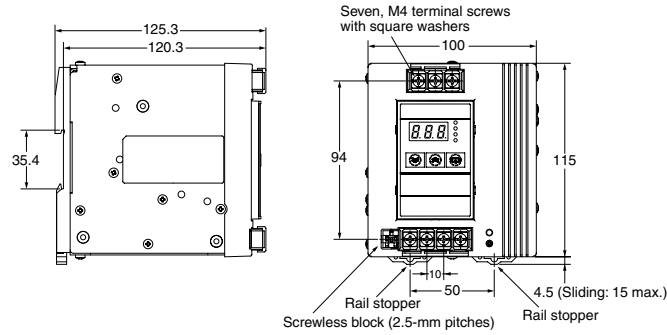
Power ratings	Input voltage	Output voltage	Output current	Alarm output	Model number (screw terminal block)	Model number (screwless terminal block)
60 W	100 to 240 VAC	24 V	2.5 A	---	S8VS-06024B	---
90 W				Sinking	S8VS-09024B	
			Sourcing		S8VS-09024BP	
120 W			Sinking	S8VS-12024B		
				Sourcing	S8VS-12024BP	
180 W			Sinking	S8VS-18024B		
				Sourcing	S8VS-18024BP	
240 W			Sinking	S8VS-24024B		
				Sourcing	S8VS-24024BP	
480 W			20 A Peak current 30 A (200 VAC)	Sinking/ sourcing	S8VS-48024B	S8VS-48024B-F

**Note:** Refer to pages 27 to 28 for the options that available.

Item	Power ratings		240 W			480 W			
	Type		Standard	Maintenance forecast monitor	Total run time monitor	Standard	Maintenance forecast monitor	Total run time monitor	
<b>Efficiency (typical)</b>			80% min.			83% min.			
<b>Input</b>	<b>Voltage *1</b>		100 to 240 VAC (85 to 264 VAC)						
	<b>Frequency *1</b>		50/60 Hz (47 to 63 Hz)						
	<b>Current</b>	<b>100-V input</b>	3.8 A max.				7.4 A max.		
		<b>200-V input</b>	2.0 A max.				3.9 A max.		
	<b>Power factor</b>		0.95 min.						
	<b>Harmonic current emissions</b>		Conforms to EN61000-3-2						
	<b>Leakage current</b>	<b>100-V input</b>	0.5 mA max.						
<b>200-V input</b>		1.0 mA max.							
<b>Inrush current *2</b>	<b>100-V input</b>	25 A max. (for a cold start at 25°C)							
	<b>200-V input</b>	50 A max. (for a cold start at 25°C)							
<b>Output</b>	<b>Voltage adjustment range *3</b>		Models with indication monitor: ±10% (with V.ADJ) Standard models: -10% to 15% (with V.ADJ)			-10% to 15% (with V.ADJ)			
	<b>Ripple</b>		2.0% (p-p) max. (at rated input/output voltage)						
	<b>Input variation influence</b>		0.5% max. (at 85- to 264-VAC input, 100% load)						
	<b>Load variation influence (rated input voltage)</b>		1.5% max. (with rated input, 0 to 100% load)						
	<b>Temperature variation influence</b>		0.05%/°C max.						
	<b>Startup time *2</b>		1,000 ms max. (at rated input/output voltage)						
	<b>Hold time *2</b>		20 ms min. (at rated input/output voltage)						
<b>Additional functions</b>	<b>Overload protection *2</b>		105% to 160% of rated load current, voltage drop, automatic reset						
	<b>Overvoltage protection *2, *4</b>		Yes						
	<b>Output voltage indication *5</b>		No	Yes (selectable) *6			No	Yes (selectable) *6	
	<b>Output current indication *5</b>		No	Yes (selectable) *7			No	Yes (selectable) *7	
	<b>Peak-hold current indication *5</b>		No	Yes (selectable) *8			No	Yes (selectable) *8	
	<b>Maintenance forecast monitor indication *5</b>		No	Yes (selectable)		No	Yes (selectable)		No
	<b>Maintenance forecast monitor output</b>		No	Yes (transistor output), 30 VDC max., 50 mA max. *9		No	Yes (transistor output), 30 VDC max., 50 mA max.		No
	<b>Total run time monitor indication *5</b>		No	Yes (selectable)		No	Yes (selectable)		
	<b>Total run time monitor output *5</b>		No	Yes (transistor output), 30 VDC max., 50 mA max. *9		No	Yes (transistor output), 30 VDC max., 50 mA max. *9		
	<b>Undervoltage alarm indication *5</b>		No	Yes (selectable)			No	Yes (selectable)	
	<b>Undervoltage alarm output terminals</b>		No	Yes (transistor output), 30 VDC max., 50 mA max. *9			No	Yes (transistor output), 30 VDC max., 50 mA max. *9	
	<b>Parallel operation</b>		No						
	<b>Series operation</b>		Yes for up to 2 Power Supplies (with external diode)						
<b>Operating ambient temperature</b>		Refer to the derating curve in <i>Engineering Data (60-W, 90-W, 120-W, 180-W, 240-W, and 480-W Models)</i> . (with no icing or condensation)							
<b>Storage temperature</b>		-25 to 65°C							
<b>Operating ambient humidity</b>		25% to 85% (Storage humidity: 25% to 90%)							
<b>Dielectric strength</b>		3.0 kVAC for 1 min. (between all inputs and outputs/alarm outputs; detection current: 20 mA) 2.0 kVAC for 1 min. (between all inputs and PE terminals; detection current: 20 mA) 1.0 kVAC for 1 min. (between all outputs/ alarm outputs and PE terminals; detection current for standard 240-W and 480-W models: 30 mA, detection current for 240-W models with indication monitor: 20 mA) 500 VAC for 1 min. (between all outputs and alarm outputs; detection current: 20 mA)							
<b>Insulation resistance</b>		100 MΩ min. (between all outputs/ alarm outputs and all inputs/ PE terminals) at 500 VDC							
<b>Vibration resistance</b>		10 to 55 Hz, 0.375-mm single amplitude for 2 h each in X, Y, and Z directions 10 to 150 Hz, 0.35-mm single amplitude (5 G max.) for 80 min each in X, Y, and Z directions: 240 W 10 to 150 Hz, 0.35-mm single amplitude (3 G max.) for 80 min each in X, Y, and Z directions: 480 W							
<b>Shock resistance</b>		150 m/s <sup>2</sup> , 3 times each in ±X, ±Y, and ±Z directions							
<b>Output indicator</b>		Yes (color: green)							
<b>Other</b>	<b>EMI</b>	<b>Conducted Emissions</b>	Models with indication monitor: Conforms to EN61204-3 EN55011 Class A and based on FCC Class A, Conforms to EN61204-3 EN55011 Class B *11 Standard models: Conforms to EN61204-3 EN55011 Group 1 Class B and based on FCC Class A			Conforms to EN61204-3 EN55011 Class A and based on FCC Class A Conforms to EN61204-3 EN55011 Class B *11			
		<b>Radiated Emissions</b>	Models with indication monitor: Conforms to EN61204-3 EN55011 Class A, Conforms to EN61204-3 EN55011 Class B *11 Standard models: Conforms to EN61204-3 EN55011 Group 1 Class B			Conforms to EN61204-3 EN55011 Class A Conforms to EN61204-3 EN55011 Class B *11			
	<b>EMS</b>		Conforms to EN61204-3 high severity levels						
	<b>Approved standards</b>		UL: UL508 (Listing), UL60950-1 cUL for 240-W models with indication monitor: CSA C22.2 No.14, cUL for 240-W standard models and 480-W models: CSA C22.2 No.107.1, cUR: CSA No. 60950-1, EN/VDE: EN50178 (=VDE0160), EN60950-1 (SELV) (=VDE0805 Teil 1) According to VDE0106/P100, IP20 (except terminal block) KOSHA S Mark *10						
<b>SEMI</b>		F47-0200 (200-VAC input)							
<b>Weight</b>		1,150 g max.			1,700 g max.				

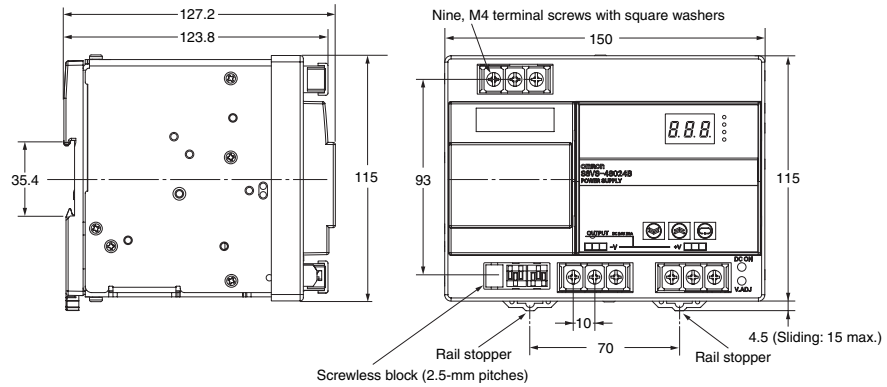
Note: Refer to page 5 for notes 1 to 11.

S8VS-24024 (240 W)  
 S8VS-24024A (240 W)  
 S8VS-24024B (240 W)



Note: The illustration shows the S8VS-24024A model.

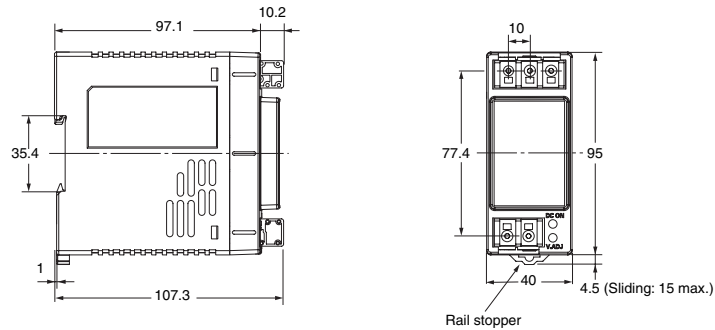
S8VS-48024 (480 W)  
 S8VS-48024A (480 W)  
 S8VS-48024B (480 W)



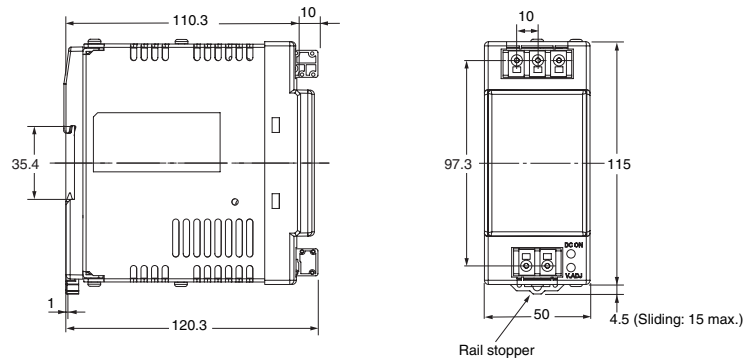
Note: The illustration shows the S8VS-48024A model.

## Power Supplies with Screwless Terminal Blocks

S8VS-06024-F (60 W)



S8VS-09024-F (90 W)  
 S8VS-09024S-F (90 W)  
 S8VS-12024-F (120 W)



Note: The illustration shows the S8VS-12024-F model.