

# P992

## Low Range Differential Pressure Sensor



### Description

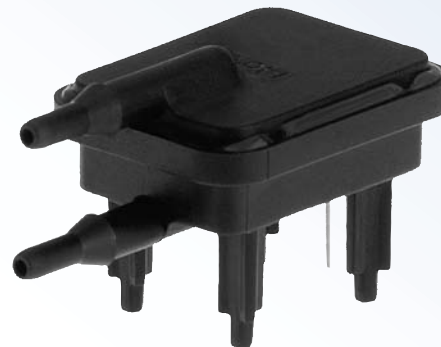
The P992 series of pressure sensors incorporates a silicon capacitive sensing element in a compact package.

Using a 5 Vdc input, the sensors provide a 0.25 to 4.0 Vdc output proportional to pressure. Internal temperature compensation provides an accurate, easy to use device.

The innovative design eliminates mounting position effects found on other low pressure differential sensors currently available in the market.

### Features

- Rugged Package
- Backward Compatible Mounting Configurations
- Amplified Temperature Compensated Linear Output
- No Position Sensitivity
- EMI/RFI & ESD Protected
- Frequency Output Option
- Superior Output Signal Stability



### Applications

- Variable Air Volume Systems (VAV)
- Filter Pressure Monitoring
- Duct Air Flow
- Modulated Furnace Controls
- Combustion Air Flow
- Gaseous Leak Detection

### Standard Full Scale Pressure Ranges

- 2, 5, 10" H<sub>2</sub>O
- ±1, ±2, ±5" H<sub>2</sub>O

### Technical Specifications

Note: Performance Specifications with 5v ± 0.002 Vdc supply at 25°C

Differential Pressure Ranges: (inches of H <sub>2</sub> O)	2, 5, 10, ±1, ±2, and ±5
Proof Pressure:	1.0 PSI (either port)
Burst Pressure:	1.5 PSI (either port)
Supply Voltage:	5.0 ± 0.5 Vdc
Supply Current:	4mA Max.
Output Voltage (Ratiometric):	0.25 to 4.0 Vdc
Calibration Tolerance (at 5.0 Vdc supply and no load):	
Zero/Null Pressure	0.25 Vdc ±60 mV
Span	3.75 Vdc ±60 mV
Voltage Ratiometricity:	±1.5% of span Max. 4.75 to 5.25 Vdc supply
Temperature Effects (0 to 60°C):	±2% of span Max.
Output Impedance:	100 Ohms Max.
Service Life	10,000,000 cycles Min.
Shock:	10G at 6ms duration

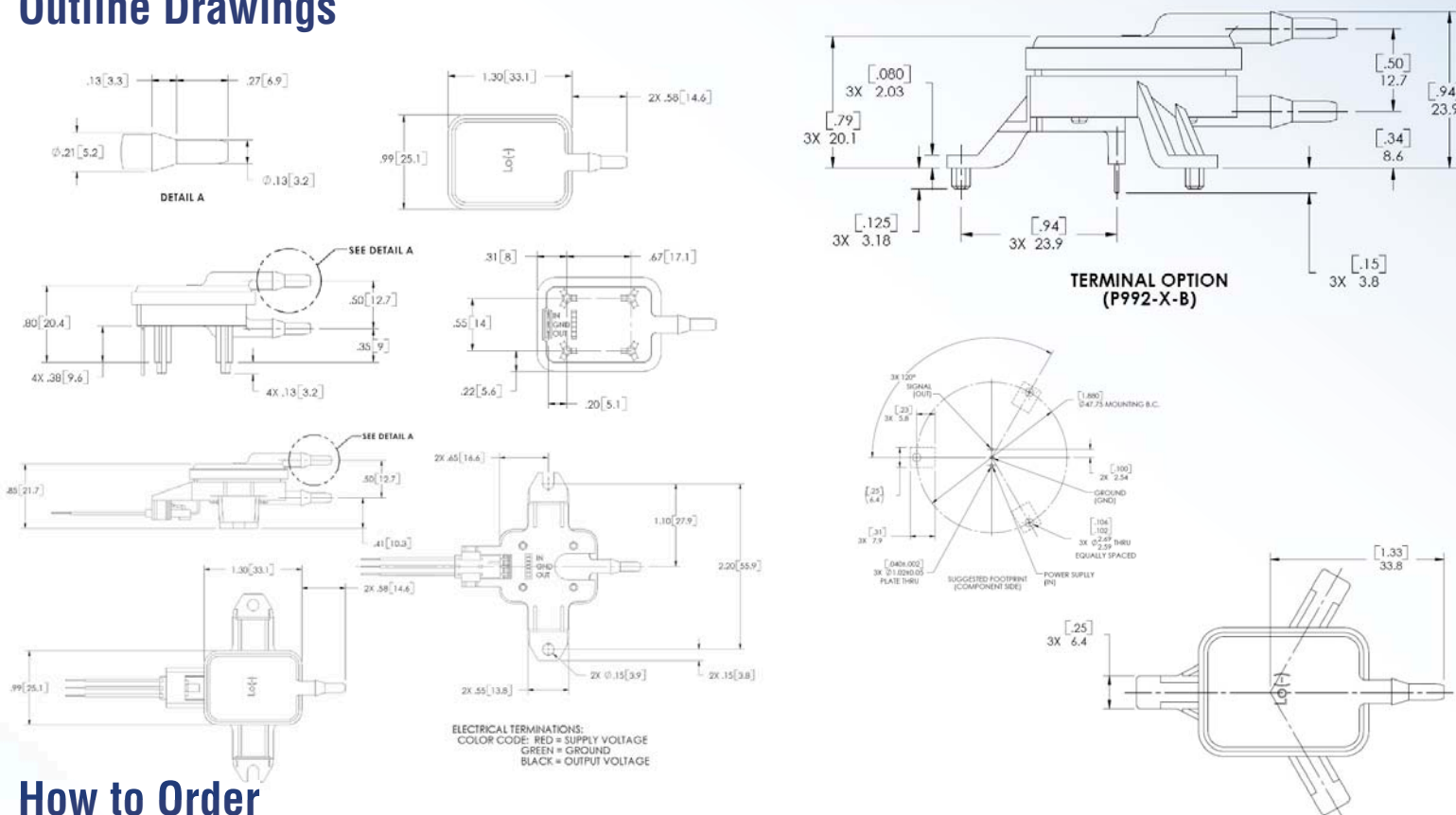
Vibration:	1G from 20 Hz to 1200 Hz
Operating Temperature:	0 to 60°C
Storage Temperature:	-40°C to +95°C
Humidity:	95% RH, non-condensing
Weight:	2.5 oz. Max.
Electrical Termination:	
Option A & B	3 solderable pins, tin plated
Option C	Lead wires, 24 AWG, 12" long
Preferred Mounting Position:	None
Pressure Connection:	1/8" diameter tube fitting with barb for 3/16 ID tubing
Recommended Interface Impedance:	25K Ohm Min. resistance between transducer output and ground, in parallel with 0.2 uF Max. capacitance
Over-voltage Protection:	16 Vdc
Reverse Polarity Protection:	-6 Vdc



# P992

## Low Range Differential Pressure Sensor

### Outline Drawings



### How to Order

A typical order number has three codes, separated by two hyphens. Standard seal material is silicone. Standard pressure connection is flared tube fitting. OEM options are available.

#### P992 Pressure Transducer

##### Pressure Range

1B	±1" H <sub>2</sub> O
2	0-2.0" H <sub>2</sub> O
2B	±2" H <sub>2</sub> O
5	0-5.0" H <sub>2</sub> O
5B	±5" H <sub>2</sub> O
10	0-10" H <sub>2</sub> O

##### Electrical Termination

A	PCB Mount
B	*3 Foot PCB
C	2 Foot PCB with lead wires

Example: P992-5B-A for ±5" H<sub>2</sub>O with PCB mounting option

\* Contact factory for drawing

Contact Kavlico for frequency output availability, alternative pressure ranges, pressure connections or voltage range options

NOTE: Device should be mounted in a position to prevent moisture intrusion

Although possible applications for our product(s) and other statements are presented herein, Kavlico is not expert in the user's technical field and therefore does not warrant the suitability of its product(s) for the user's applications. Therefore, Kavlico will not accept any liability and provides no guarantee, responsibility, or warranties of any kind concerning the suitability or related to the use of its product(s) for the user's applications.

Additionally, Kavlico will not be liable and provides no guarantee, responsibility, or warranties of any kind concerning the suitability or related to the use of its product(s) for the life support market or to be used in life support systems, safety or emergency systems, critical care applications, human implantation, aviation, nuclear facilities or systems or any other applications where product failure could lead to injury to persons, loss of life, harm to the environment, or catastrophic property damage.

Kavlico warrants that its products will be free from defective materials and workmanship for a period of one (1) year from date of delivery to the original purchaser and that its products will conform to Kavlico's specifications or standards. Any product found to be defective will be replaced or repaired at the sole option of Kavlico.

Note: Kavlico reserves the right to change its specifications at any time without notice. Kavlico is not an expert in the customer's technical field and therefore does not warrant the suitability of its product for the application selected by the customer.

Kavlico products are manufactured or covered by one or more of the following patents: 1,799,995, 4,735,098, 4,924,702, 4,967,071, 4,974,117, 5,020,377, 5,233,875, 5,275,054, 5,315,877, 5,329,819, 5,349,864, 5,349,865, 5,349,867, 5,369,989, 5,415,036, 5,528,930, 5,540,086, 5,553,502, 5,576,251, 5,578,843, 5,656,780, 5,824,889, 5,907,278, 5,923,952, 5,929,498, 5,929,754, 5,935,189, 6,008,113, 6,041,658, 6,148,674, 6,178,829, 6,211,558 B1, 6,279,407, 6,297,733, 6,311,566, 6,351,132 B1, 6,404,184 B1, 6,495,388 B1, 6,505,398 B2, 6,553,812 B2, 6,564,642 B2, 6,581,468 B2, 6,583,631 B2, 6,584,853 B2, 6,605,904 B1, 6,683,464 B2 with other U.S. and foreign patents pending.



14501 Princeton Avenue | Moorpark, CA 93021  
 Tel (805) 523-2000 | Fax (805) 523-7125

Web: [www.kavlico.com](http://www.kavlico.com) | E-Mail: [sales@kavlico.com](mailto:sales@kavlico.com)