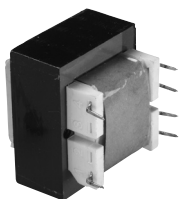


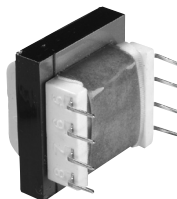
PRINTED CIRCUIT TRANSFORMERS

“Side-Winder” SW/DSW Series

“Side-Winder”
(SW)



Dual “Side-Winder”
(DSW)



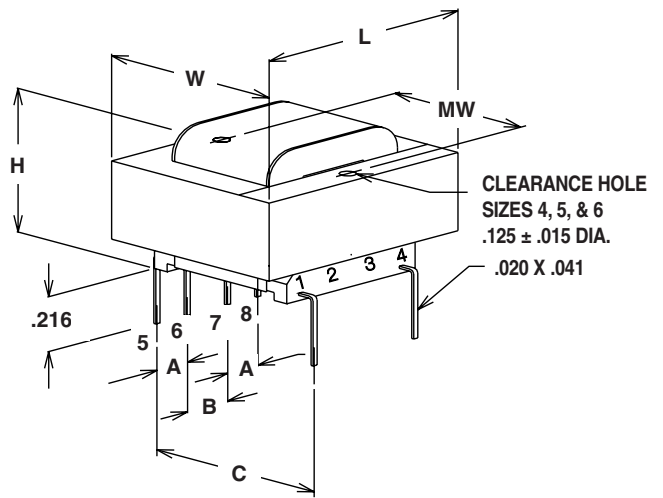
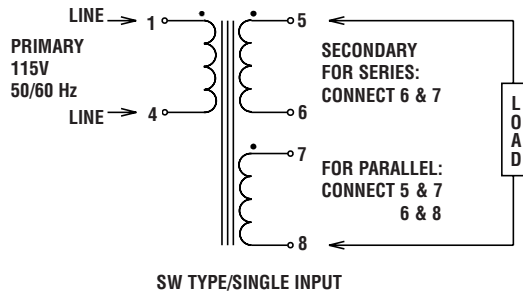
All Single Primaries are 115V 50/60Hz, 6 Pins
All Dual Primaries are 115/230V 50/60Hz, 8 Pins

STANCOR PART Sec. NUMBER	Primary Winding	Rated Output								VA	DIMENSIONS - INCHES							Weight (lbs.)	Agency * Certif.
		AC/DC	Individual Volts	mA	Series Volts	mA	Parallel Volts	mA	H		W	L	MW	A	B	C			
A SW-224	Single	AC	12.0	45	24.0 C.T.	45	12.0	90	1.1	0.94	1.13	1.38	-	0.25	0.25	1.20	0.17	UL/CSA	
DSW-224	Dual	AC	12.0	45	24.0 C.T.	45	12.0	90	1.1	0.94	1.13	1.38	-	0.25	0.25	1.20	0.17	UL/CSA	
SW-324	Single	AC	12.0	100	24.0 C.T.	100	12.0	200	2.5	1.19	1.13	1.38	-	0.25	0.25	1.20	0.25	UL/CSA	
DSW-324	Dual	AC	12.0	100	24.0 C.T.	100	12.0	200	2.5	1.19	1.13	1.38	-	0.25	0.25	1.20	0.25	UL/CSA	
SW-424	Single	AC	12.0	250	24.0 C.T.	250	12.0	500	6.0	1.31	1.31	1.63	1.06	0.25	0.35	1.28	0.44	UL/CSA	
DSW-424	Dual	AC	12.0	250	24.0 C.T.	250	12.0	500	6.0	1.31	1.31	1.63	1.06	0.25	0.35	1.28	0.44	UL/CSA	
SW-524	Single	AC	12.0	500	24.0 C.T.	500	12.0	1000	12.0	1.44	1.56	1.88	1.25	0.30	0.40	1.41	0.70	UL/CSA	
DSW-524	Dual	AC	12.0	500	24.0 C.T.	500	12.0	1000	12.0	1.44	1.56	1.88	1.25	0.30	0.40	1.41	0.70	UL/CSA	
DSW-624	Dual	AC	12.0	800	24.0 C.T.	800	12.0	1600	20.0	1.44	1.88	2.25	1.50	0.30	0.40	1.60	0.80	UL/CSA	
B SW-228	Single	AC	14.0	40	28.0 C.T.	40	14.0	80	1.1	0.94	1.13	1.38	-	0.25	0.25	1.20	0.17	UL/CSA	
DSW-228	Dual	AC	14.0	40	28.0 C.T.	40	14.0	80	1.1	0.94	1.13	1.38	-	0.25	0.25	1.20	0.17	UL/CSA	
SW-328	Single	AC	14.0	85	28.0 C.T.	85	14.0	170	2.5	1.19	1.13	1.38	-	0.25	0.25	1.20	0.25	UL/CSA	
DSW-328	Dual	AC	14.0	85	28.0 C.T.	85	14.0	170	2.5	1.19	1.13	1.38	-	0.25	0.25	1.20	0.25	UL/CSA	
SW-428	Single	AC	14.0	200	28.0 C.T.	200	14.0	400	6.0	1.31	1.31	1.63	1.06	0.25	0.35	1.28	0.44	UL/CSA	
SW-528	Single	AC	14.0	420	28.0 C.T.	420	14.0	840	12.0	1.44	1.56	1.88	1.25	0.30	0.40	1.41	0.70	UL/CSA	
DSW-528	Dual	AC	14.0	420	28.0 C.T.	420	14.0	840	12.0	1.44	1.56	1.88	1.25	0.30	0.40	1.41	0.70	UL/CSA	
SW-628	Single	AC	14.0	700	28.0 C.T.	700	14.0	1400	20.0	1.44	1.88	2.25	1.50	0.30	0.40	1.60	0.80	UL/CSA	
DSW-628	Dual	AC	14.0	700	28.0 C.T.	700	14.0	1400	20.0	1.44	1.88	2.25	1.50	0.30	0.40	1.60	0.80	UL/CSA	
C SW-432	Single	AC	16.0	188	32.0 C.T.	188	16.0	376	6.0	1.31	1.31	1.63	1.06	0.25	0.35	1.28	0.44	UL/CSA	
DSW-432	Dual	AC	16.0	188	32.0 C.T.	188	16.0	376	6.0	1.31	1.31	1.63	1.06	0.25	0.35	1.28	0.44	UL/CSA	
D SW-236	Single	AC	18.0	30	36.0 C.T.	30	18.0	60	1.1	0.94	1.13	1.38	-	0.25	0.25	1.20	0.17	UL/CSA	
DSW-236	Dual	AC	18.0	30	36.0 C.T.	30	18.0	60	1.1	0.94	1.13	1.38	-	0.25	0.25	1.20	0.17	UL/CSA	
DSW-336	Dual	AC	18.0	65	36.0 C.T.	65	18.0	130	2.5	1.19	1.13	1.38	-	0.25	0.25	1.20	0.25	UL/CSA	
SW-436	Single	AC	18.0	170	36.0 C.T.	170	18.0	340	6.0	1.31	1.31	1.63	1.06	0.25	0.35	1.28	0.44	UL/CSA	
DSW-436	Dual	AC	18.0	170	36.0 C.T.	170	18.0	340	6.0	1.31	1.31	1.63	1.06	0.25	0.35	1.28	0.44	UL/CSA	
SW-536	Single	AC	18.0	350	36.0 C.T.	350	18.0	700	12.0	1.44	1.56	1.88	1.25	0.30	0.40	1.41	0.70	UL/CSA	
DSW-536	Dual	AC	18.0	350	36.0 C.T.	350	18.0	700	12.0	1.44	1.56	1.88	1.25	0.30	0.40	1.41	0.70	UL/CSA	
SW-636	Single	AC	18.0	550	36.0 C.T.	550	18.0	1100	20.0	1.44	1.88	2.25	1.50	0.30	0.40	1.60	0.80	UL/CSA	
DSW-636	Dual	AC	18.0	550	36.0 C.T.	550	18.0	1100	20.0	1.44	1.88	2.25	1.50	0.30	0.40	1.60	0.80	UL/CSA	
E SW-248	Single	AC	24.0	23	48.0 C.T.	23	24.0	46	1.1	0.94	1.13	1.38	-	0.25	0.25	1.20	0.17	UL/CSA	
DSW-248	Dual	AC	24.0	23	48.0 C.T.	23	24.0	46	1.1	0.94	1.13	1.38	-	0.25	0.25	1.20	0.17	UL/CSA	
DSW-348	Dual	AC	24.0	50	48.0 C.T.	50	24.0	100	2.5	1.19	1.13	1.38	-	0.25	0.25	1.20	0.25	UL/CSA	
DSW-448	Dual	AC	24.0	125	48.0 C.T.	125	24.0	250	6.0	1.31	1.31	1.63	1.06	0.25	0.35	1.28	0.44	UL/CSA	
SW-648	Single	AC	24.0	400	48.0 C.T.	400	24.0	800	20.0	1.44	1.88	2.25	1.50	0.30	0.40	1.60	0.80	UL/CSA	

* Agency Certification Note:  UL Recognized (File E68100)
1.1VA Size – UL Class 2 & 3 available
 CSA Certified (File LR67965)

For schematic diagrams and outline drawings refer to page 29.

"Side-Winder" SW Series



"Side-Winder" DSW Series

