

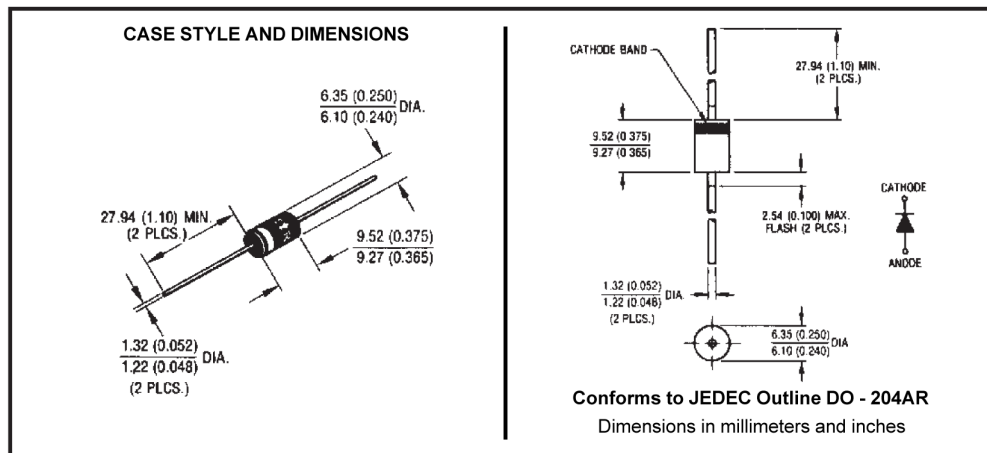
**Major Ratings and Characteristics**

Characteristics	80SQ...	Units
$I_{F(AV)}$ Rectangular waveform	8	A
$V_{RRM}$ range	30 / 45	V
$I_{FSM}$ @ $t_p = 5 \mu s$ sine	2400	A
$V_F$ @ 8 Apk, $T_J = 125^\circ C$	0.44	V
$T_J$ range	-55 to 175	$^\circ C$

**Description/ Features**

The 80SQ axial leaded Schottky rectifier series has been optimized for low reverse leakage at high temperature. The proprietary barrier technology allows for reliable operation up to 175°C junction temperature. Typical applications are in switching power supplies, converters, free-wheeling diodes, and reverse battery protection.

- 175° C  $T_J$  operation
- High purity, high temperature epoxy encapsulation for enhanced mechanical strength and moisture resistance
- Low forward voltage drop
- High frequency operation
- Guard ring for enhanced ruggedness and long term reliability
- Lead-Free plating



## Voltage Ratings

Part number	80SQ030	80SQ035	80SQ040	80SQ045
$V_R$ Max. DC Reverse Voltage (V)	30	35	40	45
$V_{RWM}$ Max. Working Peak Reverse Voltage (V)				

## Absolute Maximum Ratings

Parameters	80SQ	Units	Conditions	
$I_{F(AV)}$ Max. Average Forward Current * See Fig. 5	8	A	50% duty cycle @ $T_C = 119^\circ\text{C}$ , rectangular wave form	
$I_{FSM}$ Max. Peak One Cycle Non-Repetitive Surge Current * See Fig. 7	2400	A	5 $\mu\text{s}$ Sine or 3 $\mu\text{s}$ Rect. pulse	Following any rated load condition and with rated $V_{RWM}$ applied
	380		10ms Sine or 6ms Rect. pulse	
$E_{AS}$ Non-Repetitive Avalanche Energy	10	mJ	$T_J = 25^\circ\text{C}$ , $I_{AS} = 1.6\text{Amps}$ , $L = 7.8\text{mH}$	
$I_{AR}$ Repetitive Avalanche Current	1.6	A	Current decaying linearly to zero in 1 $\mu\text{sec}$ Frequency limited by $T_J$ max. $V_A = 1.5 \times V_R$ typical	

## Electrical Specifications

Parameters	80SQ	Units	Conditions	
$V_{FM}$ Max. Forward Voltage Drop (1) * See Fig. 1	0.53	V	@ 8A	$T_J = 25^\circ\text{C}$
	0.60	V	@ 16A	
	0.44	V	@ 8A	$T_J = 125^\circ\text{C}$
	0.55	V	@ 16A	
$I_{RM}$ Max. Reverse Leakage Current (1) * See Fig. 2	2	mA	$T_J = 25^\circ\text{C}$	$V_R = \text{rated } V_R$
	15	mA	$T_J = 125^\circ\text{C}$	
$C_T$ Max. Junction Capacitance	900	pF	$V_R = 5V_{DC}$ , (test signal range 100Khz to 1Mhz) $25^\circ\text{C}$	
$L_S$ Typical Series Inductance	10.0	nH	Measured lead to lead 5mm from body	
dv/dt Max. Voltage Rate of Change (Rated $V_R$ )	10000	V/ $\mu\text{s}$		

(1) Pulse Width < 300 $\mu\text{s}$ , Duty Cycle < 2%

## Thermal-Mechanical Specifications

Parameters	80SQ	Units	Conditions	
$T_J$ Max. Junction Temperature Range	-55 to 175	$^\circ\text{C}$		
$T_{stg}$ Max. Storage Temperature Range	-55 to 175	$^\circ\text{C}$		
$R_{thJL}$ Max. Thermal Resistance Junction to Lead	8.0	$^\circ\text{C}/\text{W}$	DC operation * See Fig. 4 1/8 inch lead length	
$R_{thJA}$ Typical Thermal Resistance, Junction to Air	44	$^\circ\text{C}/\text{W}$		
wt Approximate Weight	1.4(0.049)	g(oz.)		
Case Style	DO-204AR	JEDEC		

Ordering Information Table

Device Code	
<b>80</b>	<b>S</b>
①	②
<b>Q</b>	<b>045</b>
③	④
<b>TR</b>	⑤

<ul style="list-style-type: none"> <li><b>1</b> - 80 = current x 10</li> <li><b>2</b> - S = DO-204AR</li> <li><b>3</b> - Q = Schottky Q Series</li> <li><b>4</b> - Voltage Rating</li> <li><b>5</b> - TR = Tape &amp; Reel package (1500 pcs)</li> <li>- = Box package (200 pcs)</li> </ul>	<table border="1" style="border-collapse: collapse;"> <tr><td>030 = 30V</td></tr> <tr><td>035 = 35V</td></tr> <tr><td>040 = 40V</td></tr> <tr><td>045 = 45V</td></tr> </table>	030 = 30V	035 = 35V	040 = 40V	045 = 45V
030 = 30V					
035 = 35V					
040 = 40V					
045 = 45V					