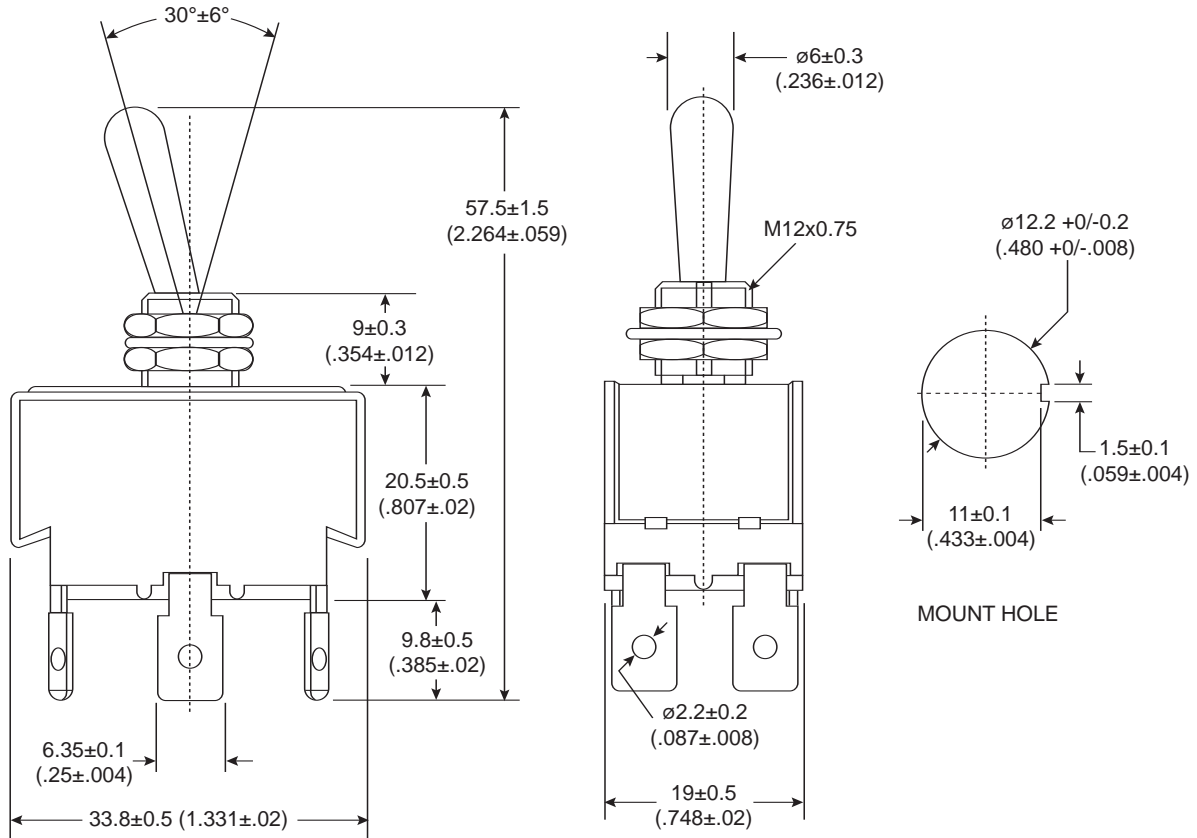


Dimensions: mm (In.)



Electrical Specifications:

- Rating: 15A/125VAC; 10A/250VAC
- Contact Resistance: 50mΩ Max.
- Insulation Resistance: 500VDC 100MΩ Min.
- Dielectric Strength: 1500VAC for 1 Minute

Mechanical Specifications:

- Circuit: 6P DPDT On-On

Toggle Switch
103-0012



Available from Mouser Electronics

www.mouser.com

1-800-346-6873