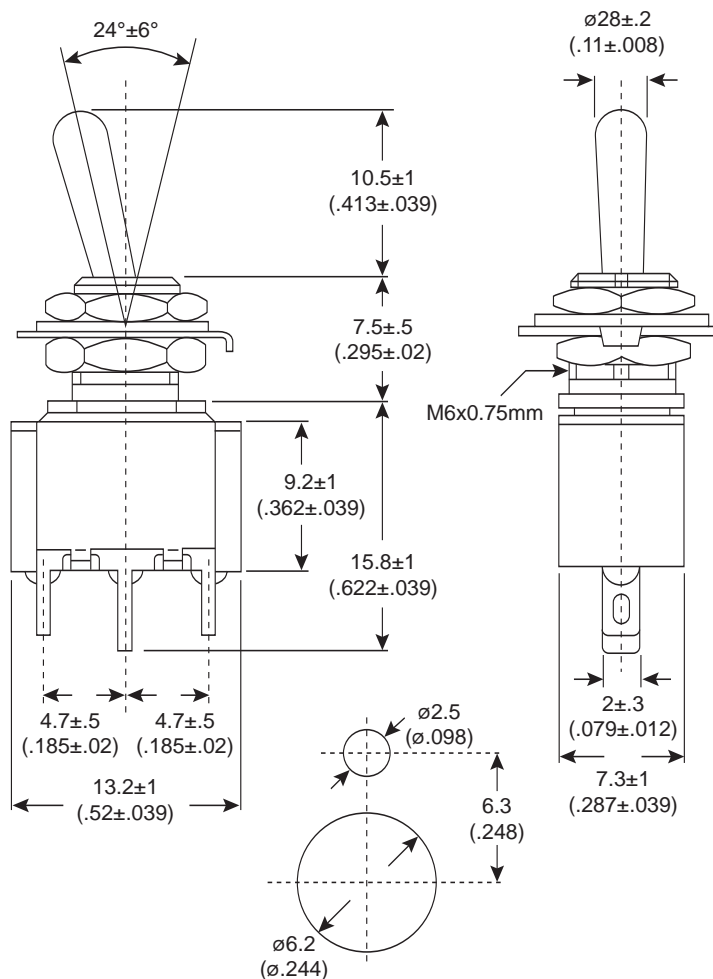


Dimensions: mm (In)



**Electrical Specifications:**

- Rating: 6A/125VAC, 3A/250VAC
- Contact resistance: 20m  $\Omega$  max
- Insulation resistance: 100M  $\Omega$  min. 500VDC
- Dielectric strength: 1000VAC 1 min
- Electrical life: 10,000 cycles

**Mechanical Specifications:**

- Mechanical life: 100,000 cycles
- Operating temperature: -20°C to +65°C
- Circuit: 3P SPDT On-Off-On

**Miniature Toggle Switch**  
1055-TA1135



Available from Mouser Electronics

www.mouser.com

1-800-346-6873