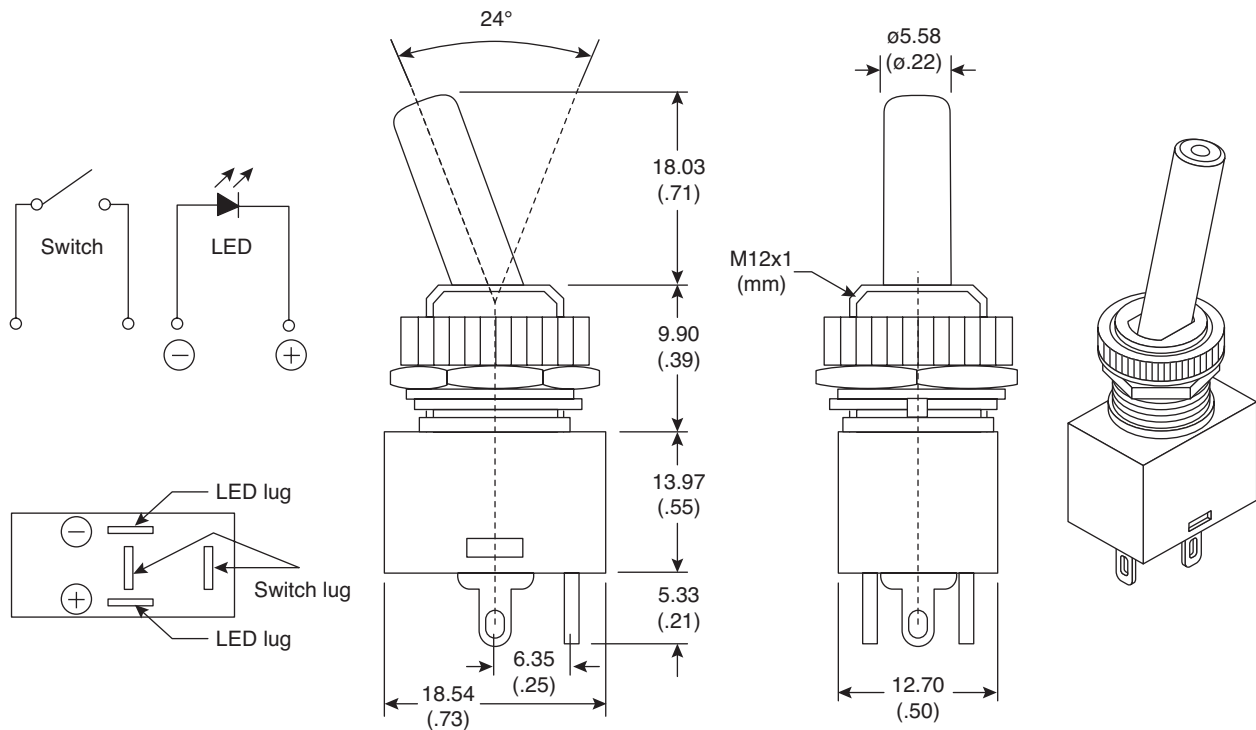


Dimensions: mm (In.)



Mouser Stock No.	Color	Type	Circuit	Mounting Hole	Voltage (VDC)
10TR414	Red	SPST	On-Off	.472	1.7
10TR415	Green	SPST	On-Off	.472	2.0
10TR416	Red	SPDT	On-On	.472	1.7
10TR417	Green	SPDT	On-On	.472	2.0

Absolute Maximum Ratings (LED Data)

IF=20mA, Ta=25°C

Color	IF(mA)	VR(V)	P(mW)	Color	VP(V)		Cd(mcd)	
					Typ.	Max	Min	Typ.
Red	40	4	80	Red		1.7		2.1
Green	30	4	85	Green		2.0		1.4

Electrical Specifications:

- Rating: 3A / 125VAC
- Contact Resistance: 20mΩ @ 2.5VDC
- Insulation Resistance: 100MΩ @ 500VDC
- Dielectric Strength: 1,000VAC for 1 minute

Materials:

- Lever: brushed aluminum

Illuminated (LED) Toggle Switches
10TR414, 10TR415, 10TR416, 10TR417

