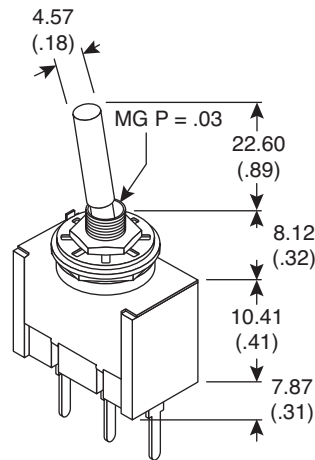


Dimensions: mm (In.)



Mouser Stock No.	Type	Circuit
10TA120	SPST	On-Off
10TA130	SPDT	On-On
10TA135	SPDT	On-Off-On
10TA145	SPDT	(On)-Off-(On)
10TA160	DPDT	On-On
10TA165	DPDT	On-Off-On
10TA175	DPDT	(On)-Off-(On)

Electrical Specifications:

- Rating: 3A / 125VAC, 3A / 250 VAC
- Contact Resistance: 20mΩ (Max.)
- Insulation Resistance: 100MΩ (Min.)
- Dielectric Strength: 1,000VAC for 1 minute

Materials:

- Shape of operation part: molded long black lever
- Color: black
- Solder terminals: chrome plated brass

Toggle Switches
 10TA120, 10TA130, 10TA135,
 10TA145, 10TA160, 10TA165, 10TA175

**Mountain
Switch**

Available from Mouser Electronics

www.mouser.com

1-800-346-6873

Specifications are subject to change without notice. No liability or warranty implied by this information. Environmental compliance based on producer documentation.