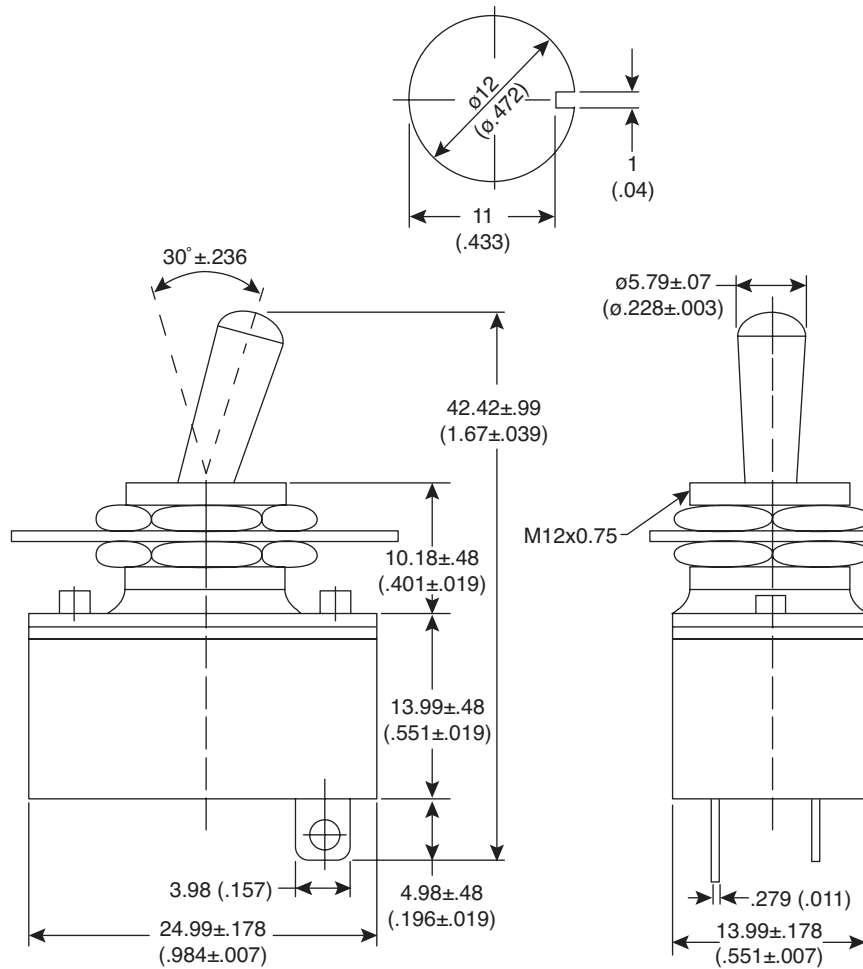


Dimensions: mm (In)



**Electrical Specifications:**

- Rating: 3A/125V, 1.5A/250VAC
- Contact resistance: 50mΩ max
- Insulation resistance: 500VDC 100mΩ min
- Dielectric strength: 1000VAC 1 minute

**Mechanical Specifications:**

- Circuit: 2P SPST on-off

**Toggle Switch**  
103-0132

