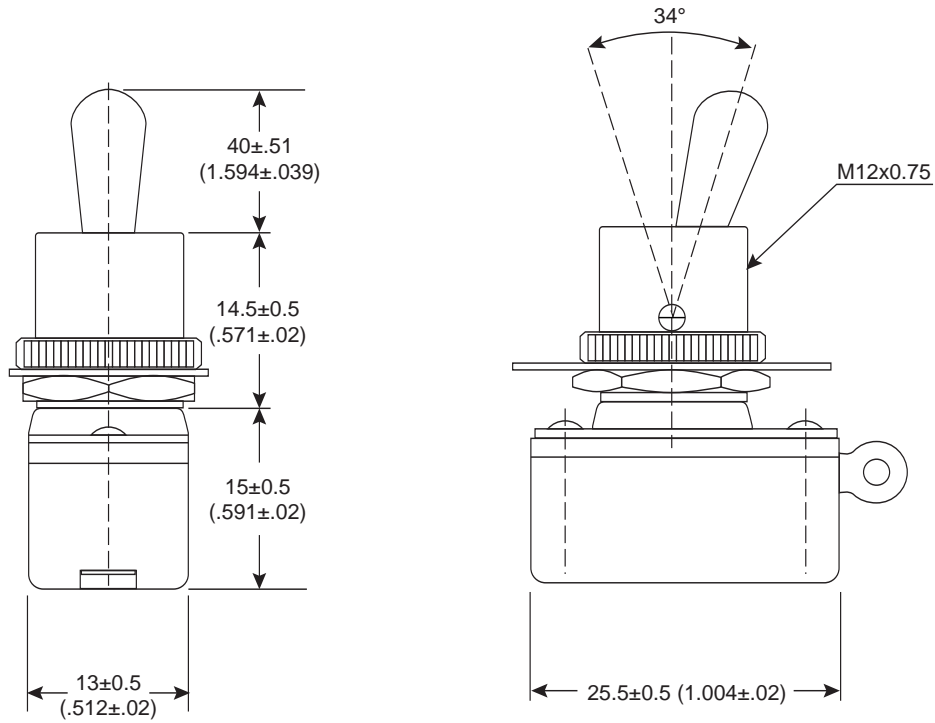
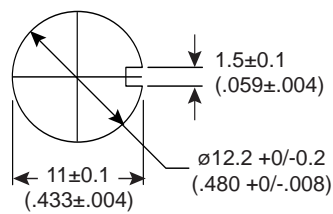


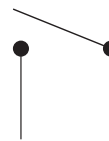
Dimensions: mm (In.)



Mount Hole



Circuit Structure



**Electrical Specifications:**

- Rating: 6A/125VAC, 3A/250VAC
- Contact Resistance: 50mΩ Max.
- Insulation Resistance: 500VDC 100MΩ Min.
- Dielectric Strength: 1000VAC for 1 Minute

**Mechanical Specifications:**

- Circuit: 2P SPST On-Off

**Toggle Switch**  
103-0009

