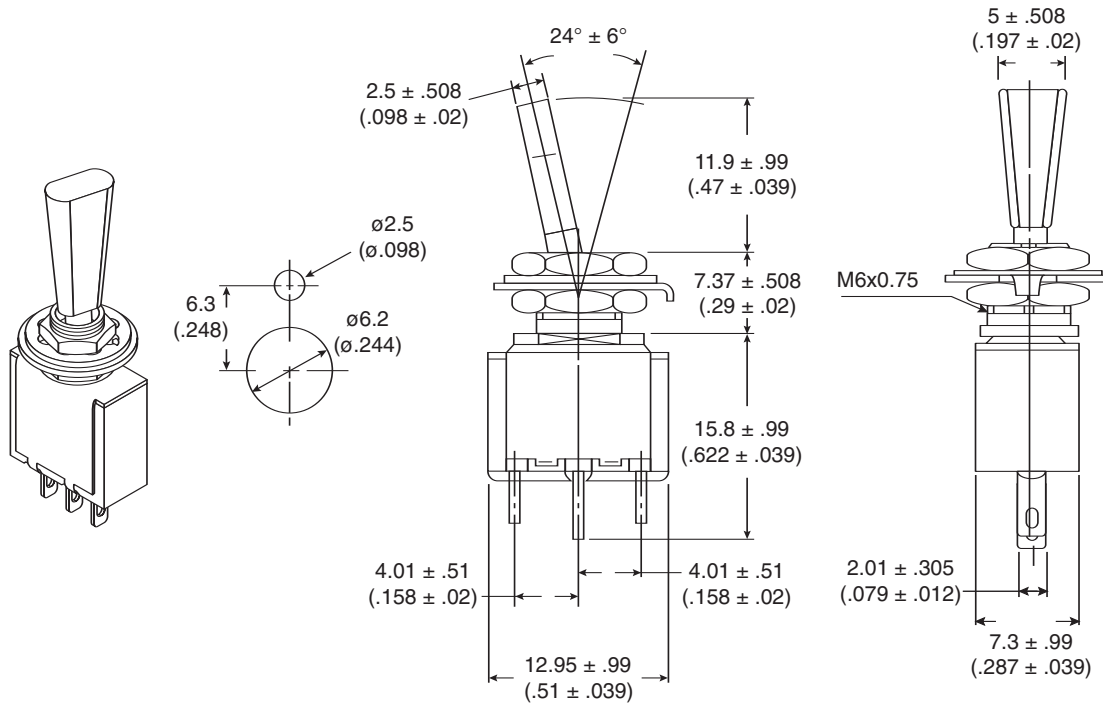


Dimensions: (IN)



Electrical Specifications:

- Rating: 6A/125VAC, 3A/250VAC
- Contact Resistance: 20m Ω max
- Insulation Resistance: 500VDC 100M Ω min.
- Dielectric Strength: 1000VAC for 1 minute
- Electrical Life: 10,000 cycles

Mechanical Specifications:

- Mechanical Life: 100,000 cycles
- Operating Temperature: -20°C ~ 65°C
- Circuit: 3P SPDT on-on

Toggle Switch
1055-TA2130

Mountain
Switch

Available from Mouser Electronics

www.mouser.com

1-800-346-6873

Specifications are subject to change without notice. No liability or warranty implied by this information. Environmental compliance based on producer documentation.