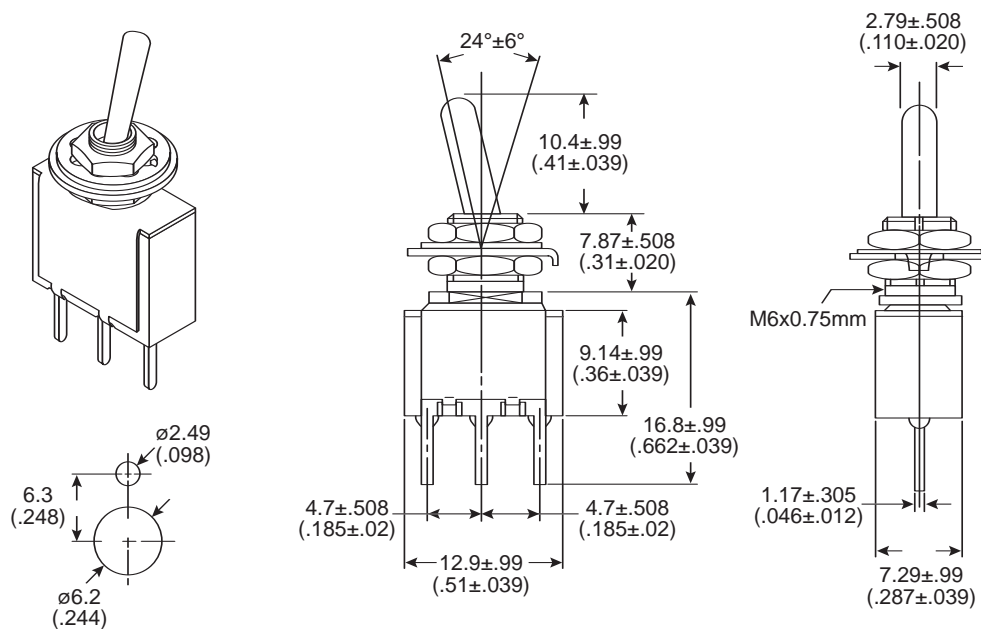


Dimensions: mm (In)

**Electrical Specifications:**

- Rating: 6A/125VAC, 3A/250VAC
- Contact resistance: 20mΩ max
- Insulation resistance: 500VDC 100MΩ min
- Dielectric strength: 1000VAC for 1 minute
- Electrical life: 10,000 cycles

Mechanical Specifications:

- Mechanical life: 100,000 cycles
- Operating temperature: -20°C ~ 65°C
- Circuit: 3P SPDT on-on

Miniature Toggle Switch
1055-TA1330

**Mountain
Switch**

Available from Mouser Electronics

www.mouser.com

1-800-346-6873