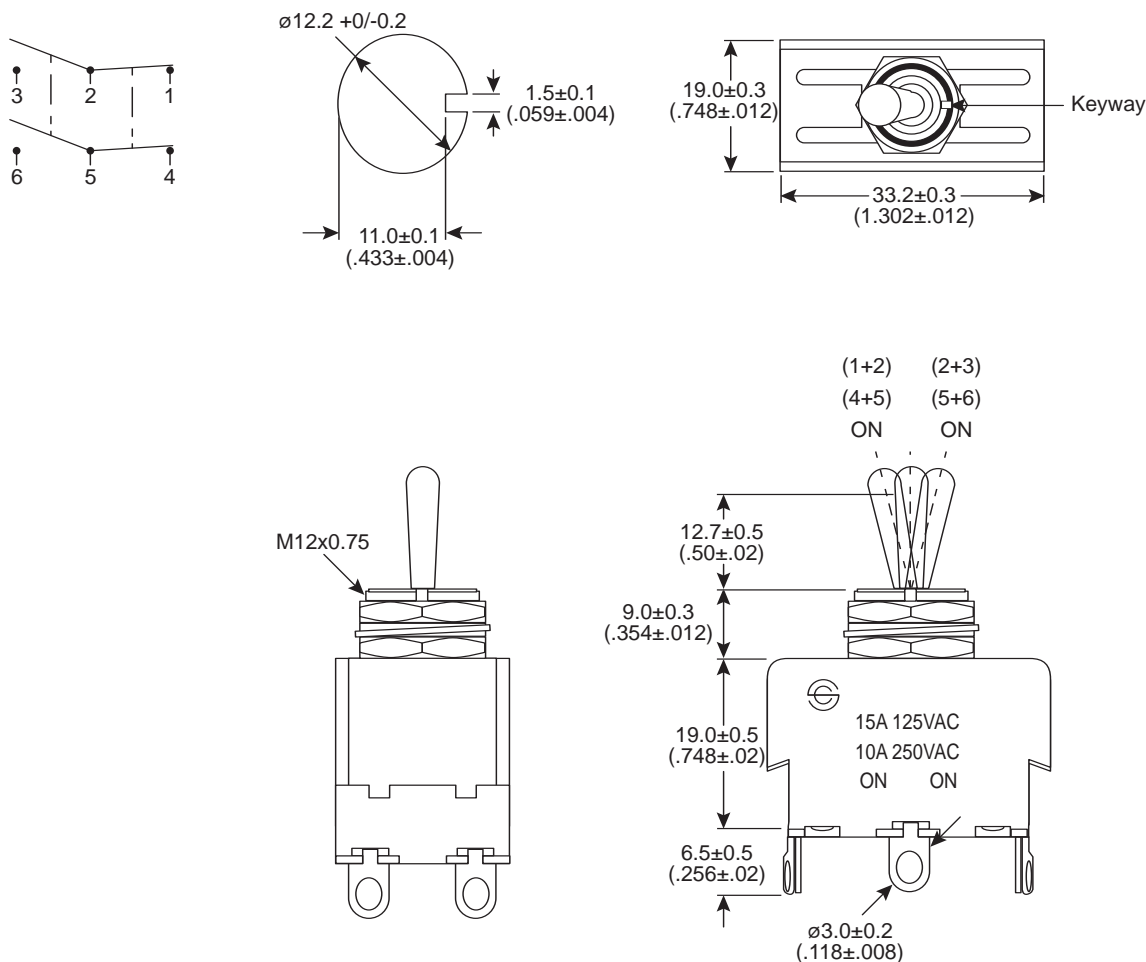


Dimensions: mm (IN)



**Electrical Specifications:**

- Rating: 10A/250VAC; 15A/125VAC
- Contact Resistance: 50m  $\Omega$  Max.
- Insulation Resistance: 500VDC 100M  $\Omega$  Min.
- Dielectric Strength: 1500VAC 1 minute

**Mechanical Specifications:**

- Circuit: 6P DPDT on-on

**Toggle Switch**  
103-0013



Available from Mouser Electronics

www.mouser.com

1-800-346-6873