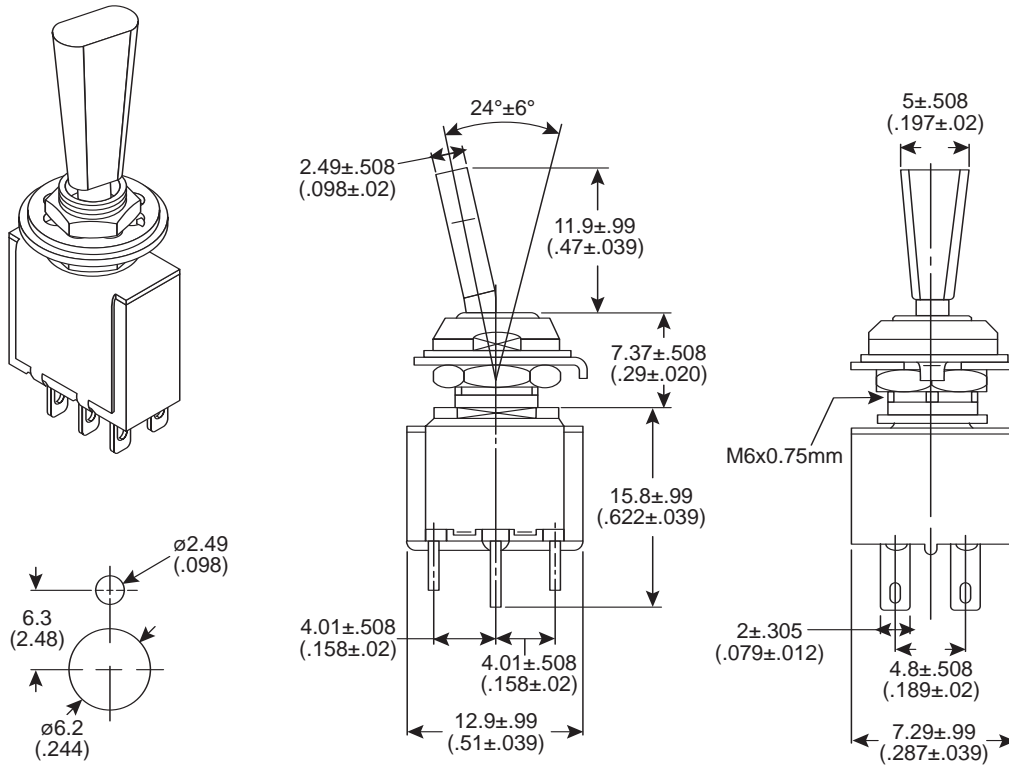


Dimensions: mm (In)



Electrical Specifications:

- Rating: 6A/125VAC, 3A/250VAC
- Contact resistance: 20m Ω max
- Insulation resistance: 500VDC 100M Ω min
- Voltage breakdown: 1000VAC for 1 minute
- Electrical life: 10,000 cycles

Mechanical Specifications:

- Mechanical life: 100,000 cycles
- Operating temperature: -20°C ~ +65°C
- Circuit operations: 6P DPDT on-on

Miniature Toggle Switch
1055-TA2160



Available from Mouser Electronics

www.mouser.com

1-800-346-6873