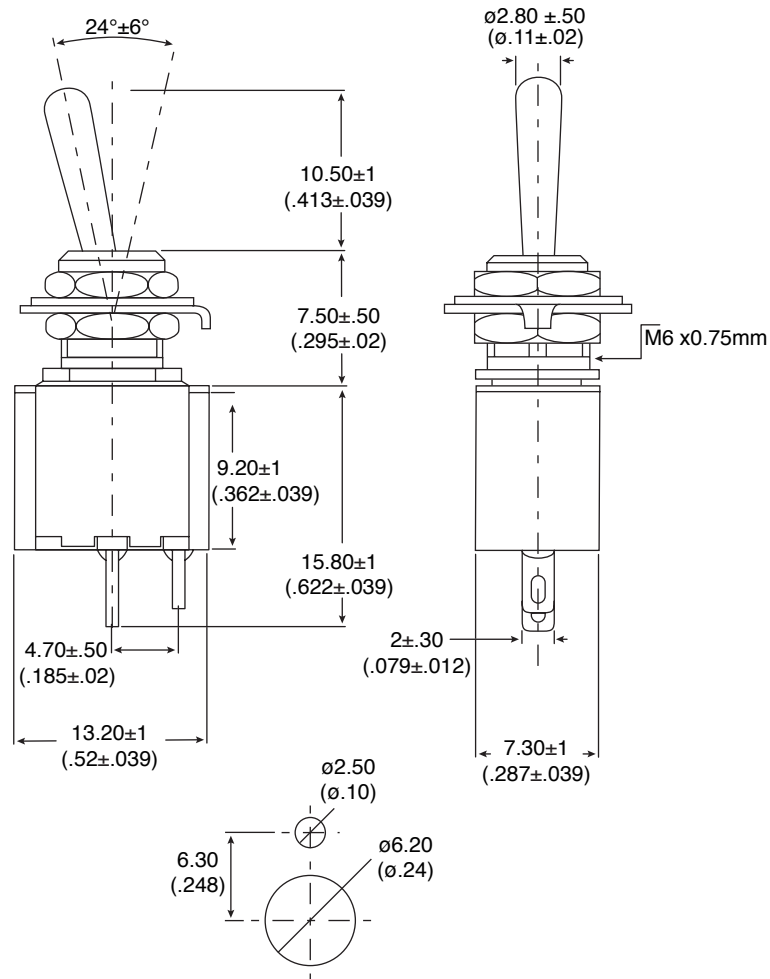


Dimensions: mm (In.)

**Electrical Specifications:**

- Rating: 6A/125VAC, 3A/250VAC
- Contact Resistance: 20mΩ max.
- Insulation Resistance: 100MΩ min. 500VDC
- Dielectric Strength: 1000VAC 1min.
- Electrical Life: 10,000 cycles

Mechanical Specifications:

- Mechanical Life: 100,000 cycles
- Operating Temperature: -20°C to +65°C
- Circuits: 2P SPST On-Off

Miniature Toggle Switch
1055-TA1120

**Mountain
Switch**

Available from Mouser Electronics

www.mouser.com

1-800-346-6873

Specifications are subject to change without notice. No liability or warranty implied by this information. Environmental compliance based on producer documentation.