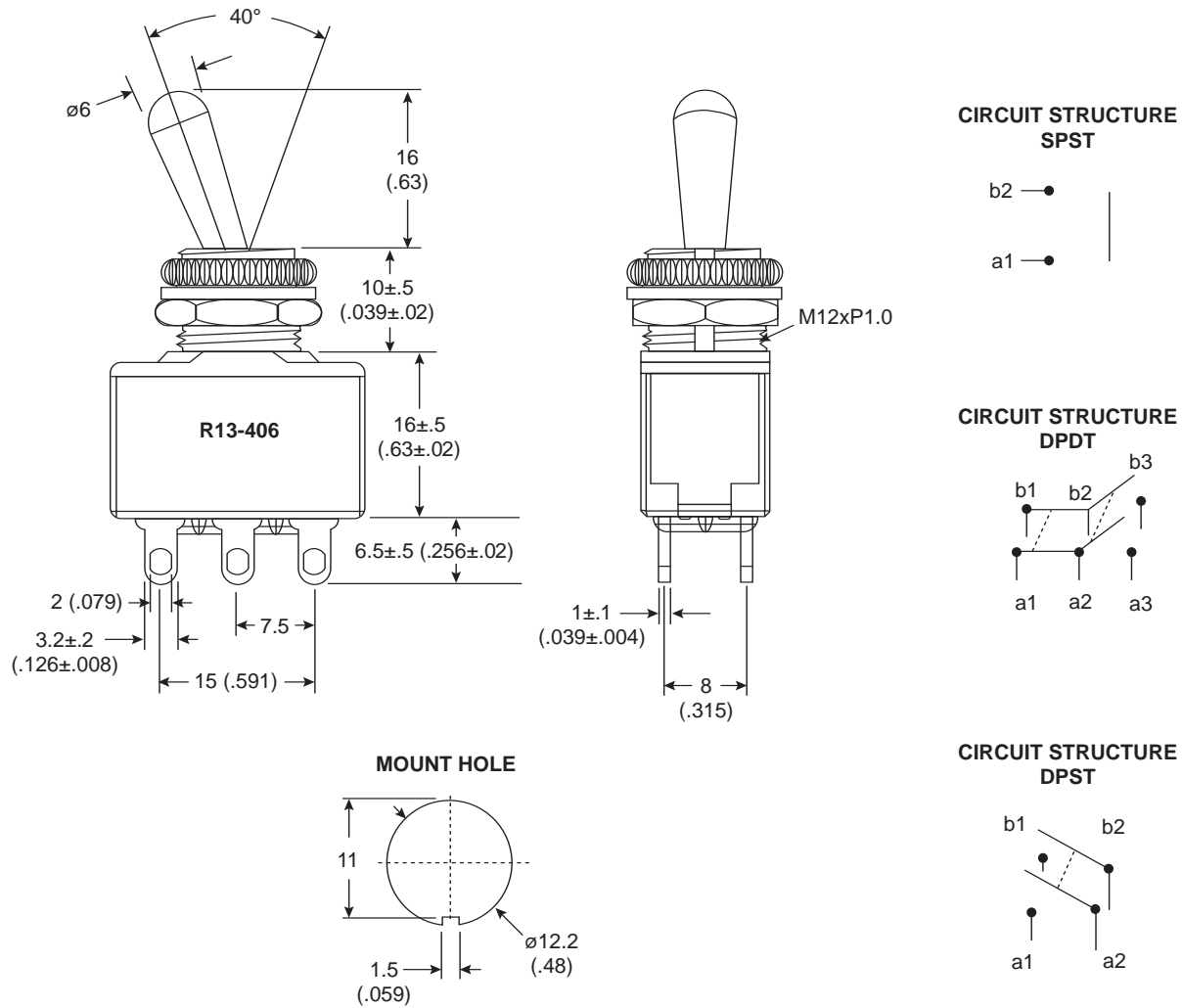


Dimensions: mm (In)



Electrical Specifications:

- Rating: 6A/125VAC; 3A/250VAC
- Contact Resistance: 50m Ω Max.
- Insulation Resistance: 500VDC 100M Ω Min.
- Dielectric Strength: 1500VAC for 1 Minute

Mechanical Specifications:

- Operating Temperature: -20°C ~ +85°C

Mouser Stock No.	Type	Circuit
103-0014	SPST	On-Off
103-0015	DPDT	On-On
103-0016	DPST	On-Off

Toggle Switches
 103-0014, 103-0015, 103-0016

