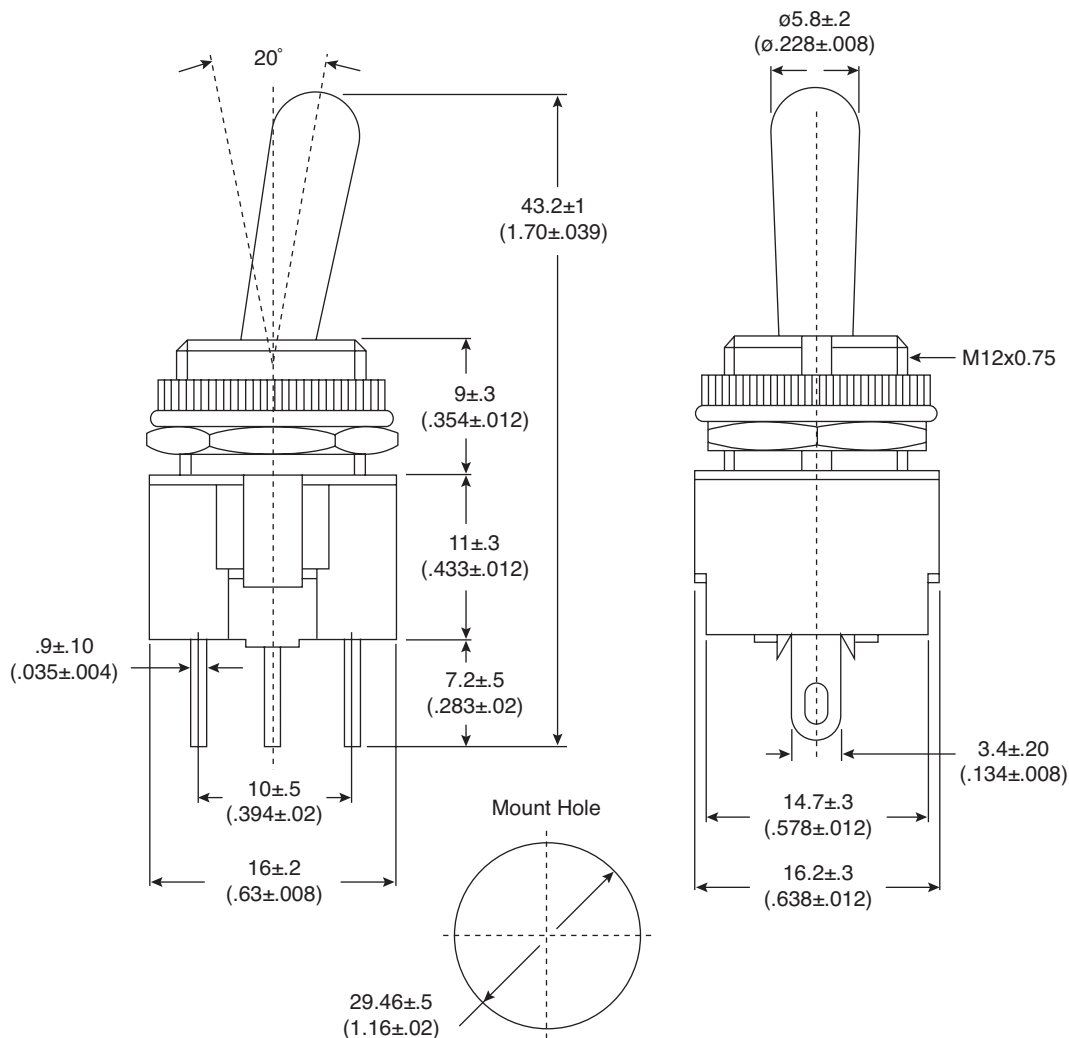


Dimensions: mm (In.)



**Electrical Specifications:**

- Rating: 3A/250V, 6A/125VAC
- Contact Resistance: 50m  $\Omega$  max.
- Insulation Resistance: 500V DC 100M  $\Omega$  min.
- Dielectric Strength: 1000V AC 1 minute

**Mechanical Specifications:**

- Circuit: 3P SPDT ON-ON

**Note:**

- RoHS Compliant by Exemption

**Toggle Switch**  
103-0017-EVX

