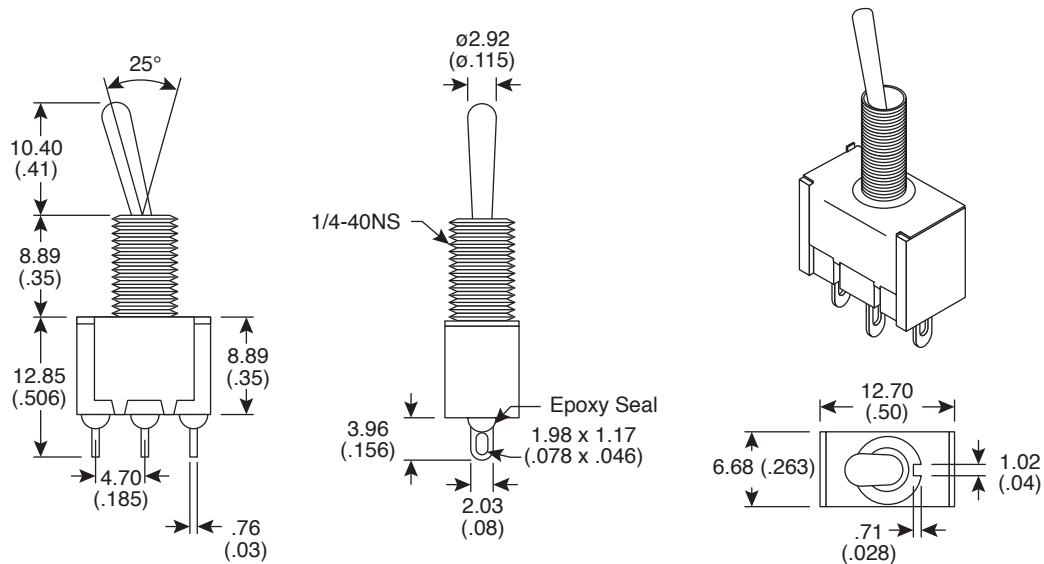


Dimensions: mm (In)

**Electrical Specifications:**

- Rating: 5A 120VAC/28VDC, 2A/250VAC
- Contact resistance: 10m Ω max. @ 2~4VDC 100mA
- Insulation resistance: 1,000M Ω min.
- Dielectric strength: 1000Vrms @ epoxy seal level
- Electrical life: 50,000 make-and-break cycles

Mechanical Specifications:

- Circuit: 3P SPDT (On)-Off-(On)
- Operating temperature: -30°~+85°C

Note:

- RoHS Compliant by Exemption

Materials:

- Case: diallyl phthalate
- Handle: chrome plated brass
- Bushing: nickel plated brass
- Housing: stainless steel
- Terminal/switch support: electroplated brass
- Contacts: silver plated copper

Toggle Switch
103-5145-EVX

Mountain
Switch