

SERIES 200A SWITCHES

TOGGLE SWITCHES - PROCESS SEALED SUB-MINIATURE

TACT SWITCHES

NAVIGATION SWITCHES

PUSHBUTTON SWITCHES

TOGGLE SWITCHES

ROCKER SWITCHES

SLIDE SWITCHES

SNAP-ACTION SWITCHES

DIP SWITCHES

KEYLOCK SWITCHES

ROTARY SWITCHES

DETECTOR SWITCHES

CAP OPTIONS



SPECIFICATIONS

| | |
|------------------------|-------------------------------------------------------------------------------------|
| Contact Rating: | Dependent on contact material |
| Life Expectancy: | 50,000 make-and-break cycles at full load |
| Contact Resistance: | Below 20 m typ. initial @ 2-4 VDC, 100 mA, for both silver and gold plated contacts |
| Insulation Resistance: | 1,000 MΩ min. |
| Dielectric Strength: | 1,000 V RMS min. @ sea level |
| Operating Temperature: | -30° C to 85° C |
| Seal Rated: | IP67 |

MATERIALS

| | |
|-----------------------|-----------------------------------------------------------------------|
| Case & Bushing: | Glass filled nylon, flame retardant, heat stabilized (UL 94-V0) |
| Actuator: | Brass, chrome plated, internal O-ring seal standard for all actuators |
| Switch Support: | Brass, tin plated |
| Contacts / Terminals: | Silver or gold plated copper alloy |
| Terminal Seal: | Epoxy |

FEATURES & BENEFITS

- ▶ Variety of switching functions
- ▶ Sub-miniature
- ▶ Multiple actuator & bushing options
- ▶ Sealed to IP67

APPLICATIONS/MARKETS

- ▶ Telecommunications
- ▶ Instrumentation
- ▶ Networking
- ▶ Medical equipment

HOW TO ORDER

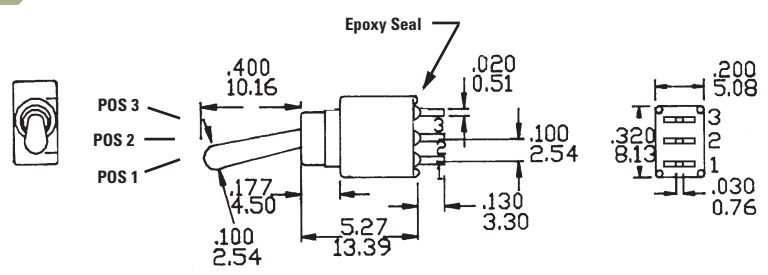
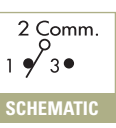
| SERIES | MODEL NO. | ACTUATOR | BUSHING | TERMINATION | CONTACT MATERIAL | SEAL |
|--------|--------------------------------------------------------------------------------|----------|---------|------------------------------|------------------------|-----------------------------------------|
| 200A | WMSP1 WMSP2 WMSP3 WMSP4 WMSP5 WMSP6* WMDP1 WMDP2 WMDP3 | T1 T2 | A1 | M2 M6 M61 M7 VS2 | Q = Silver R = Gold | E = Epoxy Sealed at Base of Terminal |

▶ ▶ ▶ Example Ordering Number
200A-WMSP2-T1-A1-VS2-Q-E

*Only available with M2 or VS2 termination

Specifications subject to change without notice.

SPDT

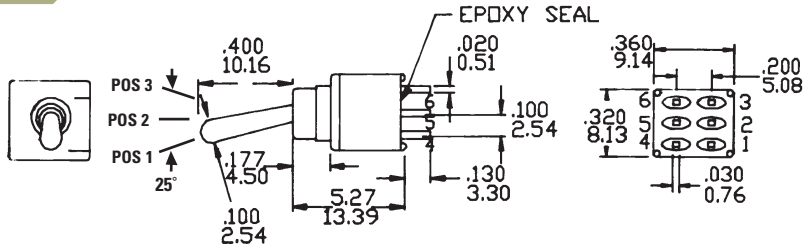


| Model No. | POS 1 | POS 2 | POS 3 |
|-------------|-------|-------|-------|
| WMSP-1 | ON | NONE | ON |
| WMSP-2 | ON | NONE | (ON) |
| WMSP-3 | ON | OFF | ON |
| WMSP-4 | (ON) | OFF | (ON) |
| WMSP-5 | ON | OFF | (ON) |
| Term. Comm. | 2 - 3 | OPEN | 2 - 1 |
| WMSP-6 | OFF | NONE | ON |
| Term. Comm. | OPEN | NONE | 3-1 |

() = Momentary

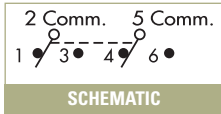


DPDT

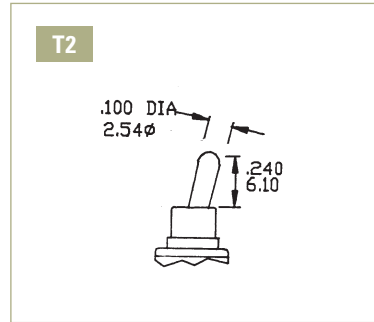
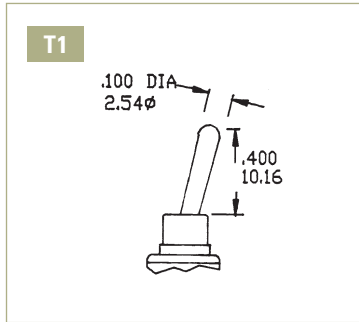


| Model No. | POS 1 | POS 2 | POS 3 |
|-------------|---------|-------|---------|
| WMDP-1 | ON | NONE | ON |
| WMDP-2 | ON | NONE | (ON) |
| WMDP-3 | ON | OFF | ON |
| Term. Comm. | 2-3,5-6 | OPEN | 2-1,5-4 |

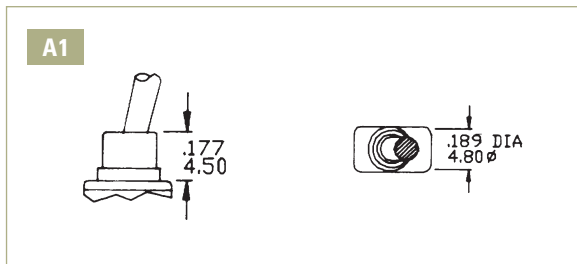
() = Momentary



ACTUATOR OPTIONS

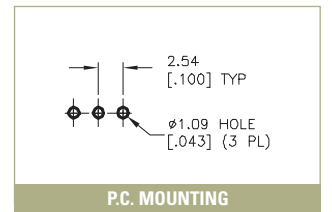
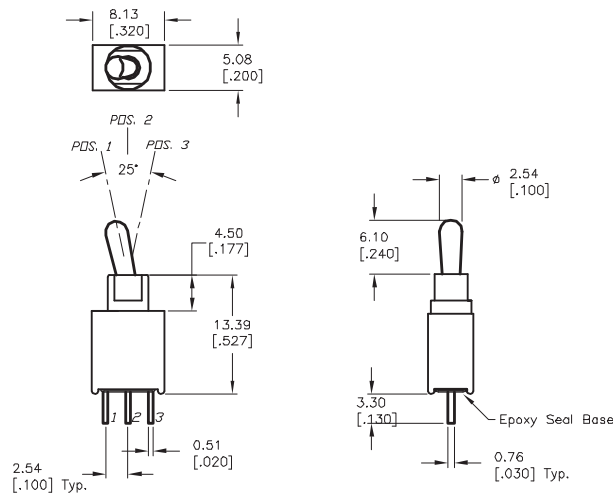


BUSHING OPTIONS



TERMINATION OPTIONS

M2



SERIES 200A SWITCHES

TOGGLE SWITCHES - PROCESS SEALED SUB-MINIATURE

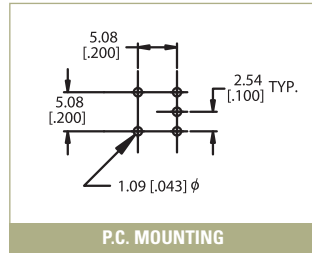
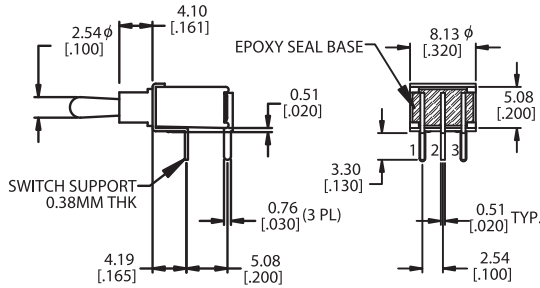
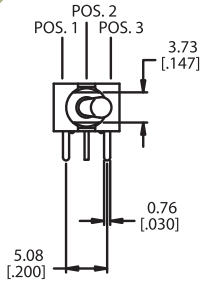
TACT SWITCHES

NAVIGATION SWITCHES

PUSHBUTTON SWITCHES

M6

SPDT

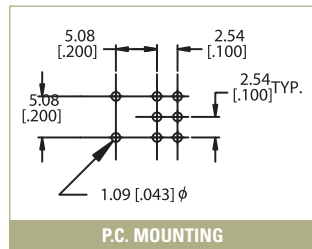
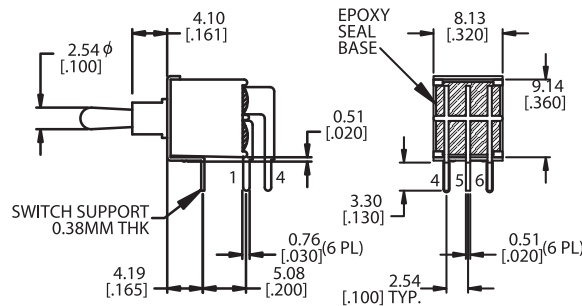
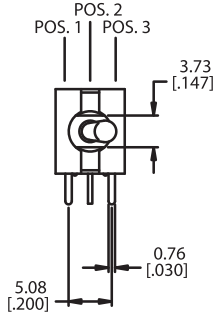


P.C. MOUNTING

TOGGLE SWITCHES

M6

DPDT



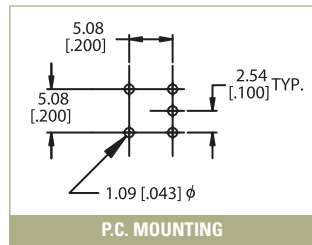
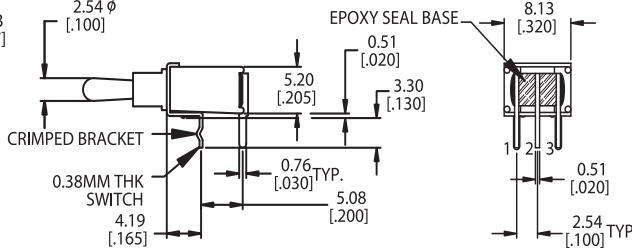
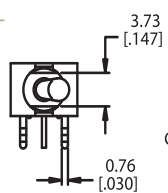
P.C. MOUNTING

ROCKER SWITCHES

SLIDE SWITCHES

M61

SPDT
SNAP-IN BRACKET



P.C. MOUNTING

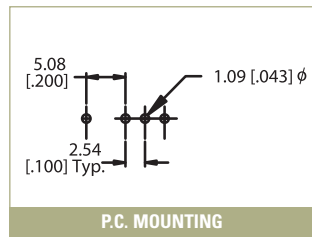
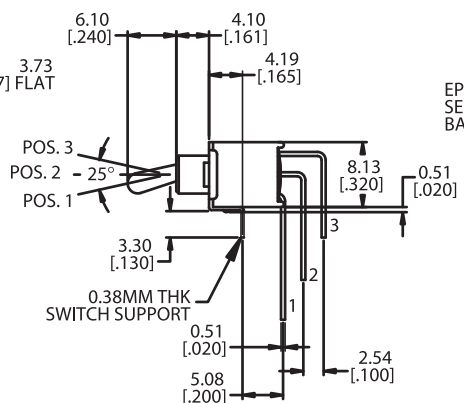
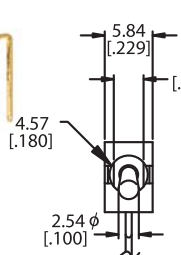
SNAP-ACTION SWITCHES

DIP SWITCHES

KEYLOCK SWITCHES

M7

SPDT



P.C. MOUNTING

ROTARY SWITCHES

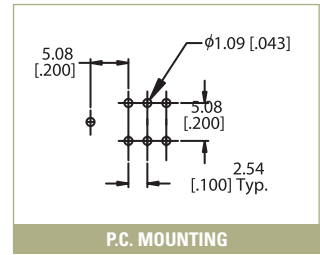
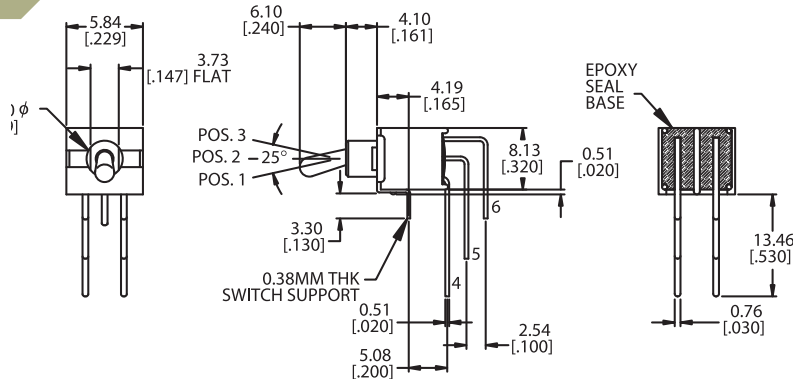
DETECTOR SWITCHES

CAP OPTIONS



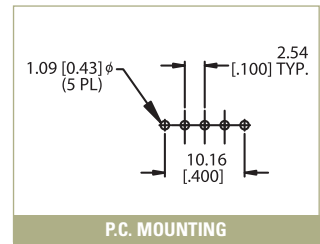
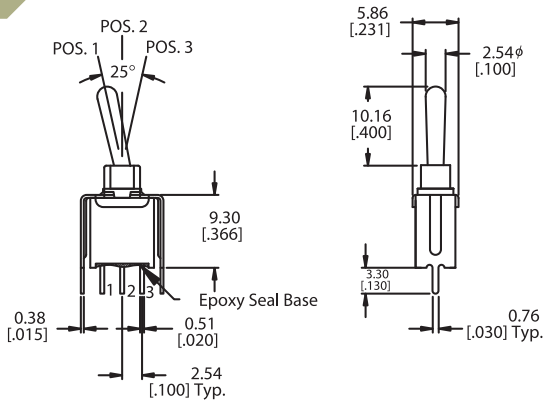
M7

DPDT



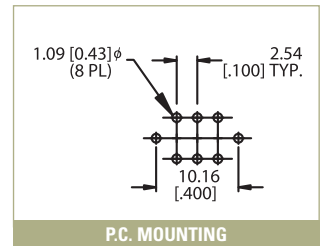
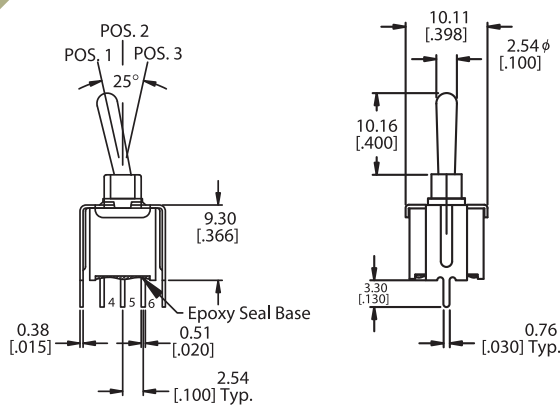
VS2

SPDT



VS2

DPDT



CONTACT MATERIAL OPTIONS

Q

| | |
|-----------------|------------------------------------------|
| Fixed Terminal: | Silver plated copper alloy |
| Moving Contact: | Silver plated copper alloy |
| Rating: | 3 Amps @ 120VAC or 28VDC; 1 Amp @ 250VAC |

R

| | |
|-----------------|------------------------------------------------|
| Fixed Terminal: | Copper alloy with gold plate over nickel plate |
| Moving Contact: | Copper alloy with gold plate over nickel plate |
| Rating: | 0.4 Volt-Amps (VA) max. @ 20V max. (AC or DC) |