



NSL-21UV401

UV Photocell

Features

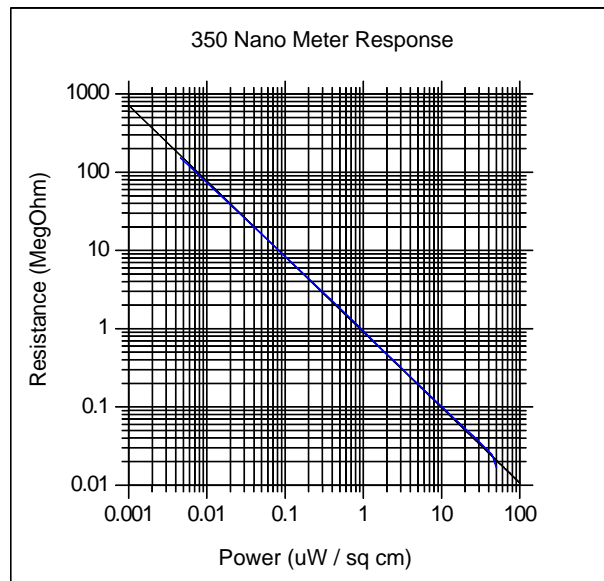
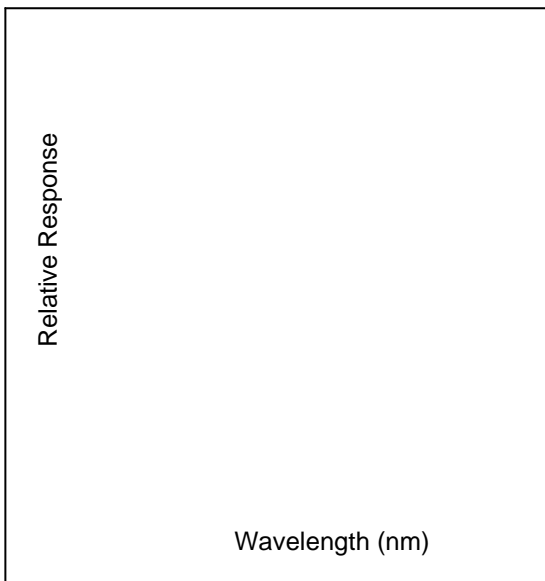
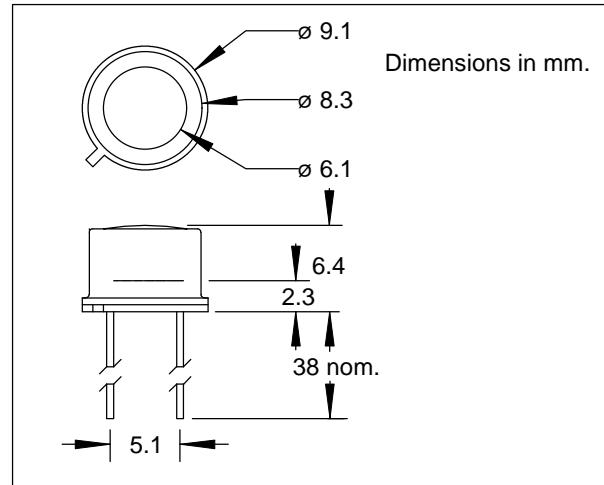
- 350 nm Response in UV Spectrum
- Passive Resistance Output
- Compact Design
- Rugged Hermetic Package
- 98% Blocking of Visible Spectrum

Description

The NSL-21UV401 photocell is a near-UV detector suitable for flame detection in the 300-380 nm range while blocking most of the visible spectrum. The TO-5 package contains a quartz window to allow detection of radiation below 350 nm.

Absolute Maximum Ratings

Voltage 60V
 Operating & Storage Temperature -30°C to +85°C



Electrical Characteristics (T_A=25°C unless otherwise noted)

Symbol	Parameter	Min	Typ	Max	Units	Test Conditions
λ_P	Peak Wavelength	340	350	360	nm	
R _{ON}	On Resistance	30	50	70	K Ω	$\lambda=350$ nm, Ee=20 μ W/cm ²
R _{OFF}	Off Resistance	50			M Ω	Ee=0 mW/cm ² , t=5 sec
t _D	Decay Time			200	mSec	Ee=20 to 0 mW/cm ²
θ_R	Temperature Coefficient		0.6		%/°C	

Specifications subject to change without notice.

103120 REV 1

5200 St. Patrick St., Montreal
 Que., H4E 4N9, Canada
 Tel: 514-768-8000
 Fax: 514-768-8889

The Old Railway, Princes Street
 Ulverston, Cumbria, LA12 7NQ, UK
 Tel: 01 229 581 551
 Fax: 01 229 581 554