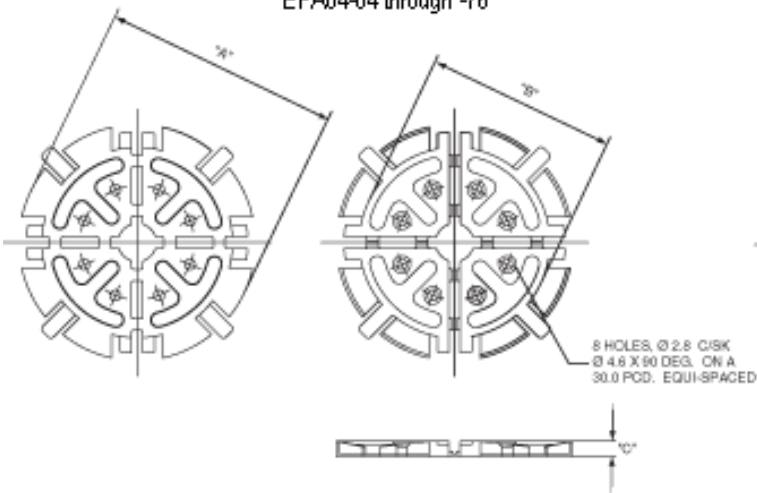
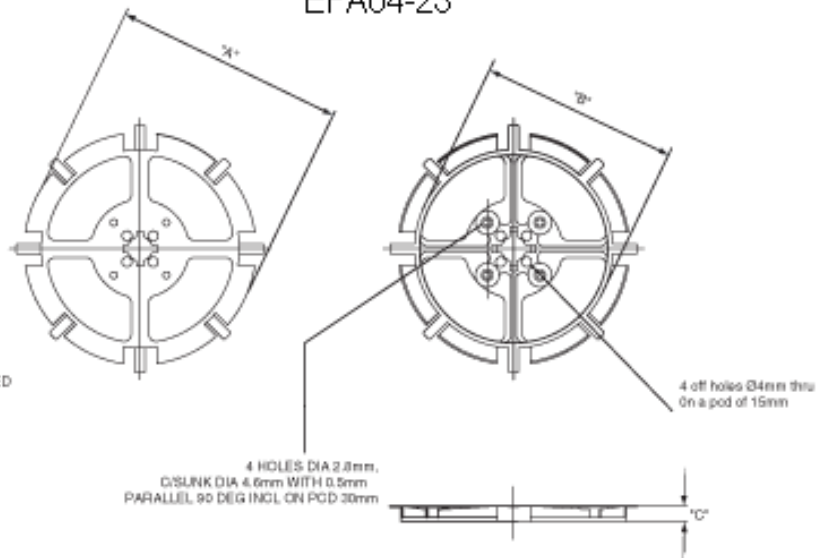


Available by Special Order - NAFTA Region Only
 500 piece minimum if no stock
 See "Part Drawing" for Details

EFA04-04 through -76



EFA04-23



Part Number	Description
EFA04 14 ASS	Fiber Reel,Black,30MM Rad,12MM Spc

[RoHS Information](#)

EFA04 Fiber Reels

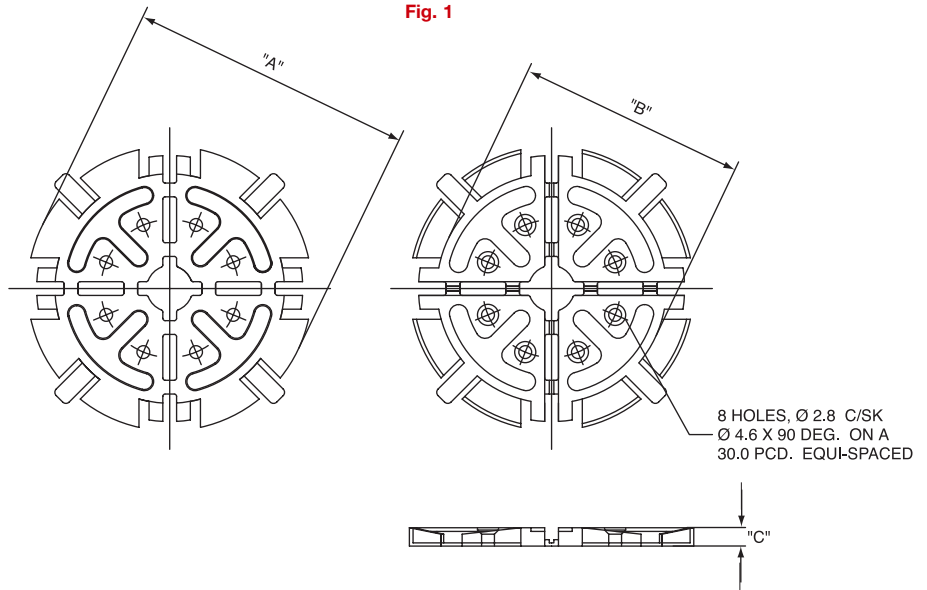


Fig. 1

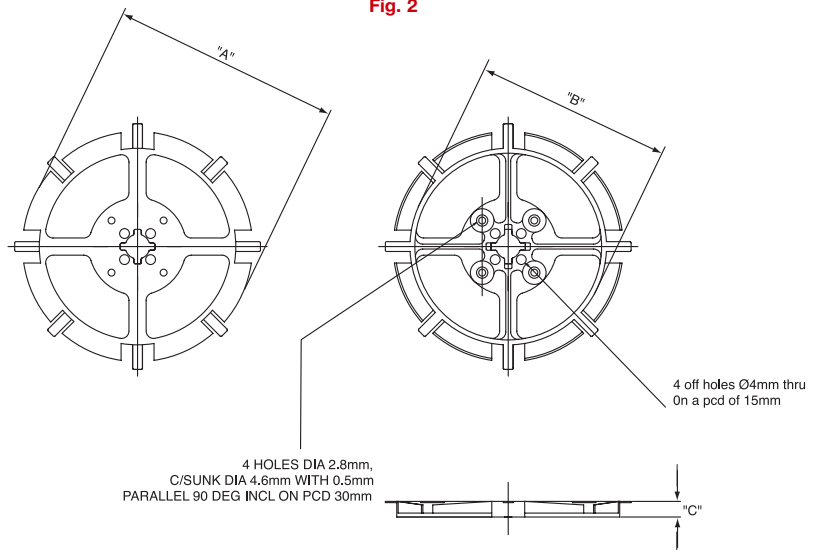


Fig. 2

Features

- Variable radius storage options
- Can be screw mounted (screw not supplied), or optional adhesive pad mounted (adhesive pads supplied when specified)
- Board mountable using Stand-off EFA04 27 ASS (page 208)
- Stackable using Stacking Pillar EFA04 53 ASS (page 208)
- Fig. 1 can be broken apart into 4-90° bending control devices
- Can accommodate bare to ruggedized fiber

A Europlus/Richco Product							
Material: Flame Retardant Nylon 6 UL94 V0, RMS-178							
Standard Pack: 100 per bag							
Part No.	Contents	"A"	"B"	"C" Height	Figure	Max. Fiber Storage	
EFA04 04 001	25mm radius fiber reel	62.0	50.0	4.0	1	2.5m of 900 micron fiber	
EFA04 04 ASS	EFA04 04 001 with 4 self-adhesive pads			6.35		4.5m of 900 micron fiber	
EFA04 21 001	25mm radius fiber reel			3.9		3.0m of 900 micron fiber	
EFA04 21 ASS	EFA04 21 001 with 4 self-adhesive pads			12.4		9.0m of 900 micron fiber	
EFA04 10 001	30mm radius fiber reel	72.0	60.0	3.9		1	3.0m of 900 micron fiber
EFA04 10 ASS	EFA04 10 001 with 4 self-adhesive pads			12.4			9.0m of 900 micron fiber
EFA04 14 001	30mm radius fiber reel			8.0			15.0m of 900 micron fiber
EFA04 14 ASS	EFA04 14 001 with 4 self-adhesive pads			6.35			7.0m of 900 micron fiber
EFA04 76 001	35mm radius fiber reel	82.0	70.0	8.0	1		15.0m of 900 micron fiber
EFA04 76 ASS	EFA04 76 001 with 4 self-adhesive pads			6.35			7.0m of 900 micron fiber
EFA04 23 001	40mm radius fiber reel			6.35			7.0m of 900 micron fiber
EFA04 23 ASS	EFA04 23 001 with 4 adhesive pads			6.35			7.0m of 900 micron fiber
Parts are available by special order only. 500 piece minimum.							
All dimensions in millimeters							