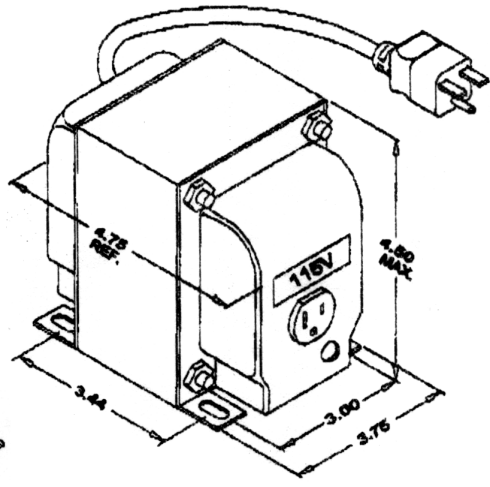
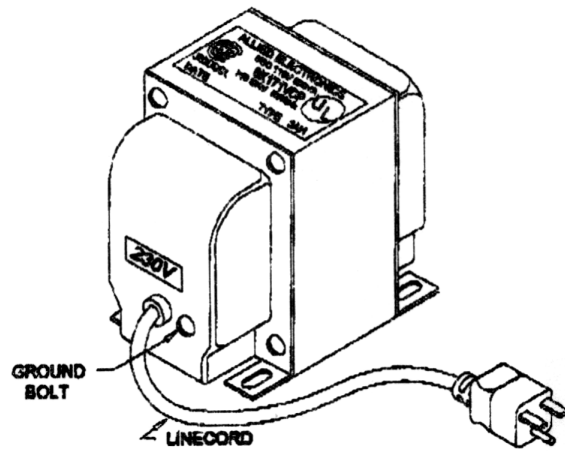
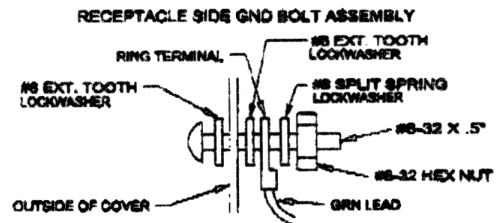
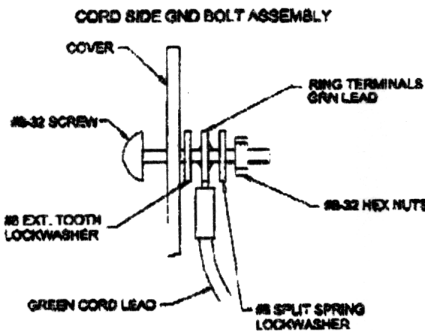
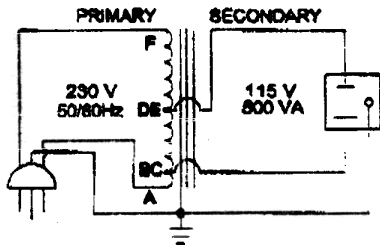


By: **FIXED** Date: *******
 ** TOTAL PAGE 02 **

EDB6K171VCP



HAMMOND ELECTRONICS
 52 RANKIN PLACE,
 WATERLOO, ONTARIO, N2L 3Z5.
 PHONE (519) 886-6181
 FAX # (519) 886-6540

TITLE			
ALLIED ELECTRONICS POWER TRANSFORMER-6K171VCP			
		DR BY	C. ILIE
		DATE	10/12/99
NO	DATE	REVISION	DIM IN (XMM)

EDB6K171VCP