

# Mini Incandescents

## T-2 Bulb

Line No.	Part Number	Base Type	Design Volts	Design Amps	End Foot Candela	Filament Type	Rated Life	Fig No.	Foot Notes
1	6PSB		Slide Base #5	6	0.14	0.12	<u>C-2V</u>	20,000	<u>51</u>

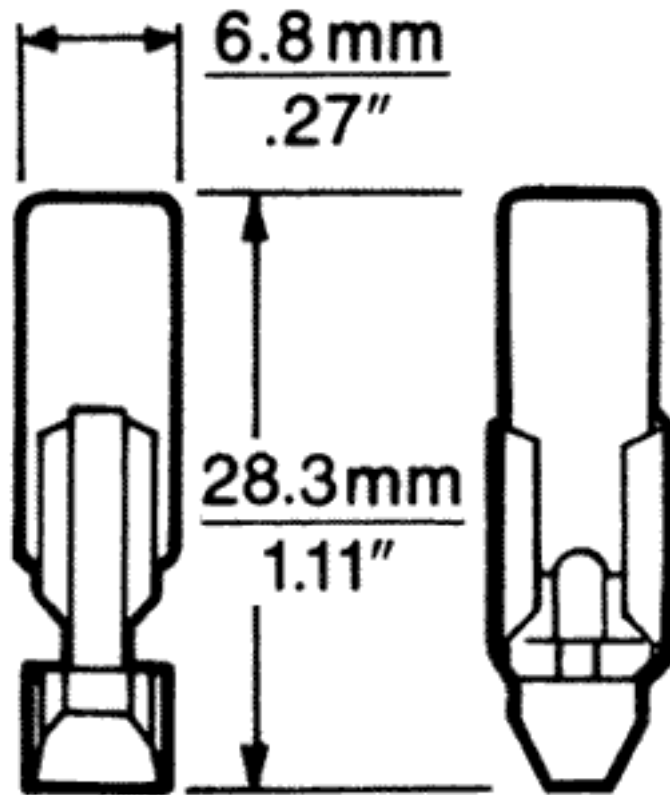


Fig. 51