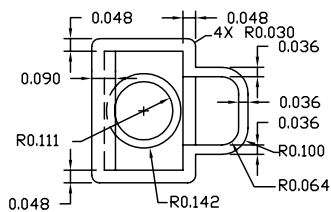
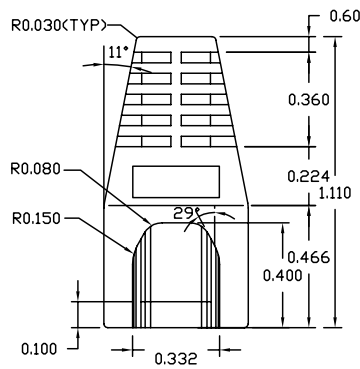
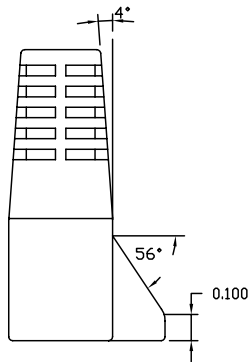


TOP VIEW



BOTTOM VIEW

THIS IS A CONTROLLED DOCUMENT AND IS SUBJECT TO CHANGE. CONTACT NORTHERN TECHNOLOGIES ENGINEERING FOR THE LATEST REVISION.

REV	DATE	DESCRIPTION	APP
A	09-MAR-06	ECN 0591	

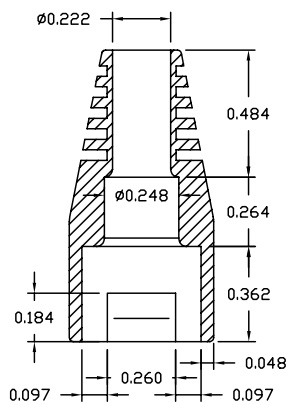
FLEXIBLE PLASTIC COVER/
STRAIN RELIEF FOR RJ-45 PLUGS

PART NUMBER	COLOUR
3000E10000	--- CLEAR
3000E10001	--- BLACK
3000E10003	--- DARK GRAY
3000E10004	--- YELLOW
3000E10005	--- GREEN
3000E10006	--- BLUE
3000E10007	--- VIOLET
3000E10008	--- RED
3000E10009	--- LIME GREEN
3000E10010	--- WHITE
3000E10011	--- LIGHT GRAY
3000E10012	--- ORANGE
3000E10014	--- BROWN
3000E10015	--- PINK

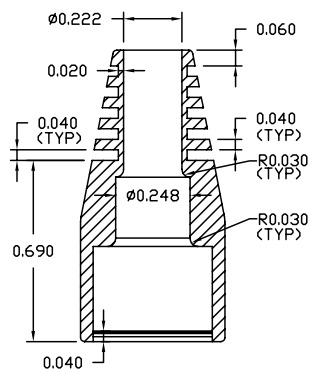
- NOTE:
 1. MATERIAL: FLEXIBLE PVC COMPOUND
 2. COMPLIANCE NOTE:
 PART MUST BE IN COMPLIANCE TO:
 DIRECTIVE 2002/95/EC (RoHS)

UNLESS OTHERWISE SPECIFIED	SIGNATURES	DATE	Northern Technologies		
1. ALL DIMENSIONS ARE IN INCHES (MM) 2. DIMENSIONS ARE TYPICAL	DRAWN	L.C.	21-JUN-05	THIS DRAWING IS THE PROPERTY OF NORTHERN TECHNOLOGIES AND SHOULD NOT BE REPRODUCED WITHOUT NORTHERN TECHNOLOGIES WRITTEN PERMISSION.	
	CHECKED	JSD	21-JUN-05	PART NUMBER	3000E100XX
	ENG			DESCRIPTION	RJ-45 STRAIN RELIEF
	ISSUED		21-JUN-05	SHEET	1
			CODE	7100_093	DWG NO.
				7100-500-093	
			SCALE	N.T.S.	SHEET 1 OF 2

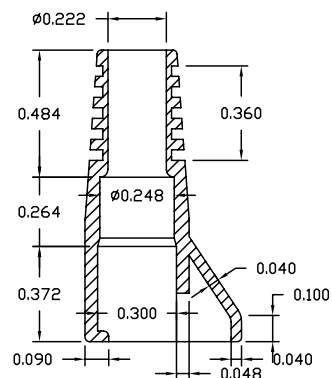
REV	DATE	DESCRIPTION	APP
A	09-MAR-06	ECN 0591	



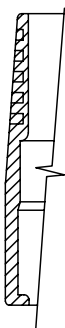
SECTION B-B



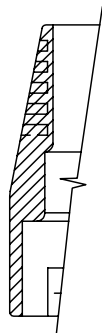
SECTION C-C



SECTION A-A



SECTION E-E



SECTION D-D

THIS IS A CONTROLLED DOCUMENT AND IS SUBJECT TO CHANGE. CONTACT NORTHERN TECHNOLOGIES ENGINEERING FOR THE LATEST REVISION.

COMPLIANCE NOTE:
PART MUST BE IN COMPLIANCE TO:
DIRECTIVE 2002/95/EC [RoHS]

UNLESS OTHERWISE SPECIFIED		SIGNATURES	DATE	Northern Technologies		THIS DRAWING IS THE PROPERTY OF NORTHERN TECHNOLOGIES AND SHOULD NOT BE REPRODUCED WITHOUT NORTHERN TECHNOLOGIES WRITTEN PERMISSION.	
1. ALL DIMENSIONS ARE IN INCHES (MM) 2. DIMENSIONS ARE TYPICAL	DRAWN	L.C.	21-JUN-05	PART NUMBER		3000E100XX	
	CHECKED	JSD	21-JUN-05	DESCRIPTION		RJ-45 STRAIN RELIEF	
	ISSUED		21-JUN-05	SHEET	CODE	DWG NO.	
				2	7100_093	7100-500-093	
			SCALE	N.T.S.			SHEET
							2 OF 2