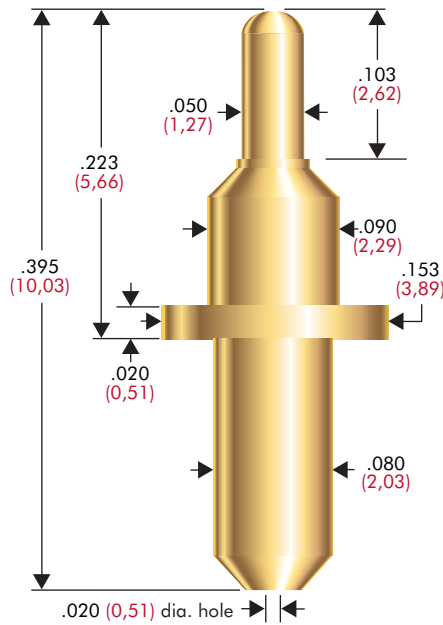
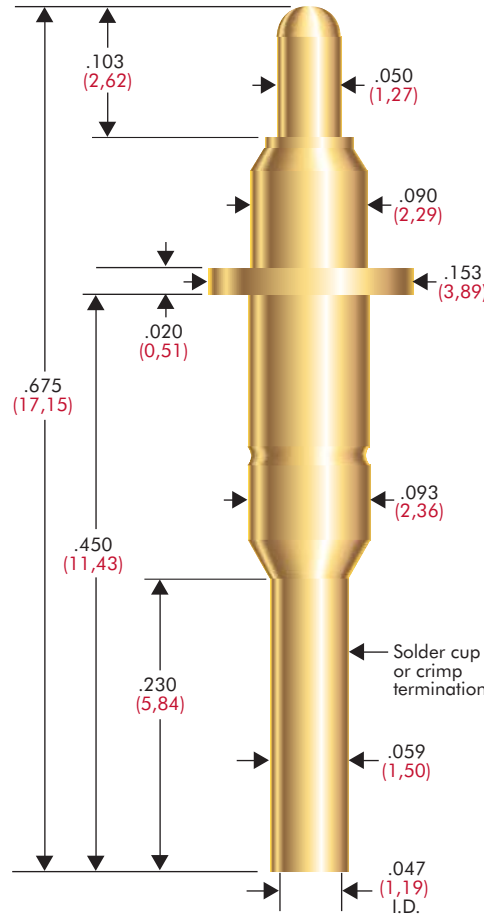


100410 PROBE



101119 PROBE



PROBE SPECIFICATIONS

Minimum Centers: .175 (4,45)
 Current Rating: 15 amps continuous
 (Single probe horizontal in air; Temp Rise = 80° C)
 Spring Force: 6.2 oz. (176g) @ .060 (1,52) travel
 Typical Resistance: <5 mΩ
 Maximum Travel: .090 (2,29)
 Working Travel: .060 (1,52)

MATERIALS

Barrel: Nickel/silver, gold plated
 Spring: Stainless steel, gold plated
 Plunger: Full-hard beryllium copper, gold plated
 Bias Ball: Stainless steel, gold plated
 Special Features: Mounting flange, bias ball design

HOW TO ORDER

100410-005

PROBE SPECIFICATIONS

Minimum Centers: .175 (4,45)
 Current Rating: 15 amps continuous
 (Single probe horizontal in air; Temp Rise = 80° C)
 Spring Force: 6.2 oz. (176g) @ .060 (1,52) travel
 Typical Resistance: <10 mΩ
 Maximum Travel: .090 (2,29)
 Working Travel: .060 (1,52)

MATERIALS

Barrel: Nickel/silver, gold plated
 Spring: Stainless steel
 Plunger: Full-hard beryllium copper, gold plated
 Bias Ball: Stainless steel, gold plated
 Special Features: Mounting flange, bias ball design, receptacle for wire attachment

HOW TO ORDER

101119-000 for a crimp termination
 101119-001 for a solder cup termination

For fixturing information on battery and connector contacts, see pages 122-123 of the Source Book. Specifications subject to change. Dimensions in inches (millimeters)