

**INTERNATIONAL  
POWER CORDS**

**Qualtek** ELECTRONICS CORPORATION  
 Primary Power Components Division

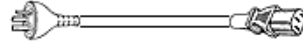
*International Power Cords - Other Countries*

**QUALTEK ELECTRONICS**

**Australia/New Zealand**



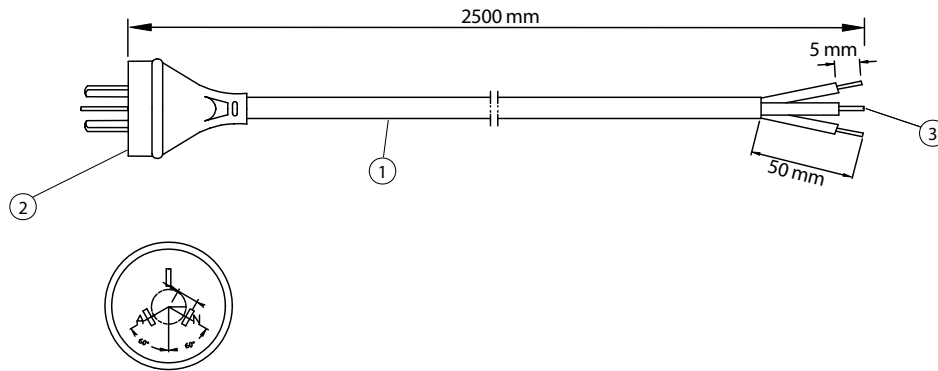
R



S

Part Number	Figure	Length	Cordage	# Cond MM2	Amp Rating	Plug No.	Conn No.	PDF Drawings
373003-A01	R	2.5M	H05VV-F	3 x 1.0	10 A	AS3112/Australian	--	
373008-01	R	1.8M	H05VV-F	3 x 1.0	10 A	AS3112/Australian	--	
374003-A01	S	2.5M	H05VV-F	3 x 1.0	10 A	AS3112/Australian	IEC 60320 C13	
374009-01	S	1.8M	H05VV-F	3 x 1.0	10 A	AS3112/Australian	IEC 60320 C13	

REVISION			
REV.	DESCRIPTION	DATE	APPROVED
B	RoHS Compliancy	06-01-06	D.P.
C	Revised Cordage	09-04-07	D.P.



NOTES:

1. CORDAGE: H05VV-F, 3 X 1.0, UNSHIELDED, CEE COLOR CODE, TEMP. RATING 70°C, RATING: 250V 10A, JACKET COLOR: BLACK
2. PLUG: AS3112/AUSTRALIAN
3. OTHER END: ROJ 50 mm, STRIP 5 mm
4. APPROVALS: AUSTRALIA, NEW ZEALAND
5. ROHS COMPLIANT

**CONTROLLED**

Dim range (mm)	Tolerance +/- (mm)	Qualtek Electronics Corp. PPC DIVISION		
		Part Number: 373003-A01		<span style="border: 1px solid green; padding: 2px;">RoHS Compliant</span>
Description: POWER CORD				
0-1	0.15	UNIT: mm		REV. C
1-6	0.20	Drawn / Date		Checked / Date
6-18	0.30	B.ZHANG 10-15-01		Approved / Date
18-50	0.50			JJH / 10-15-01
50-120	0.70			
120-250	0.90			
250-500	1.20			