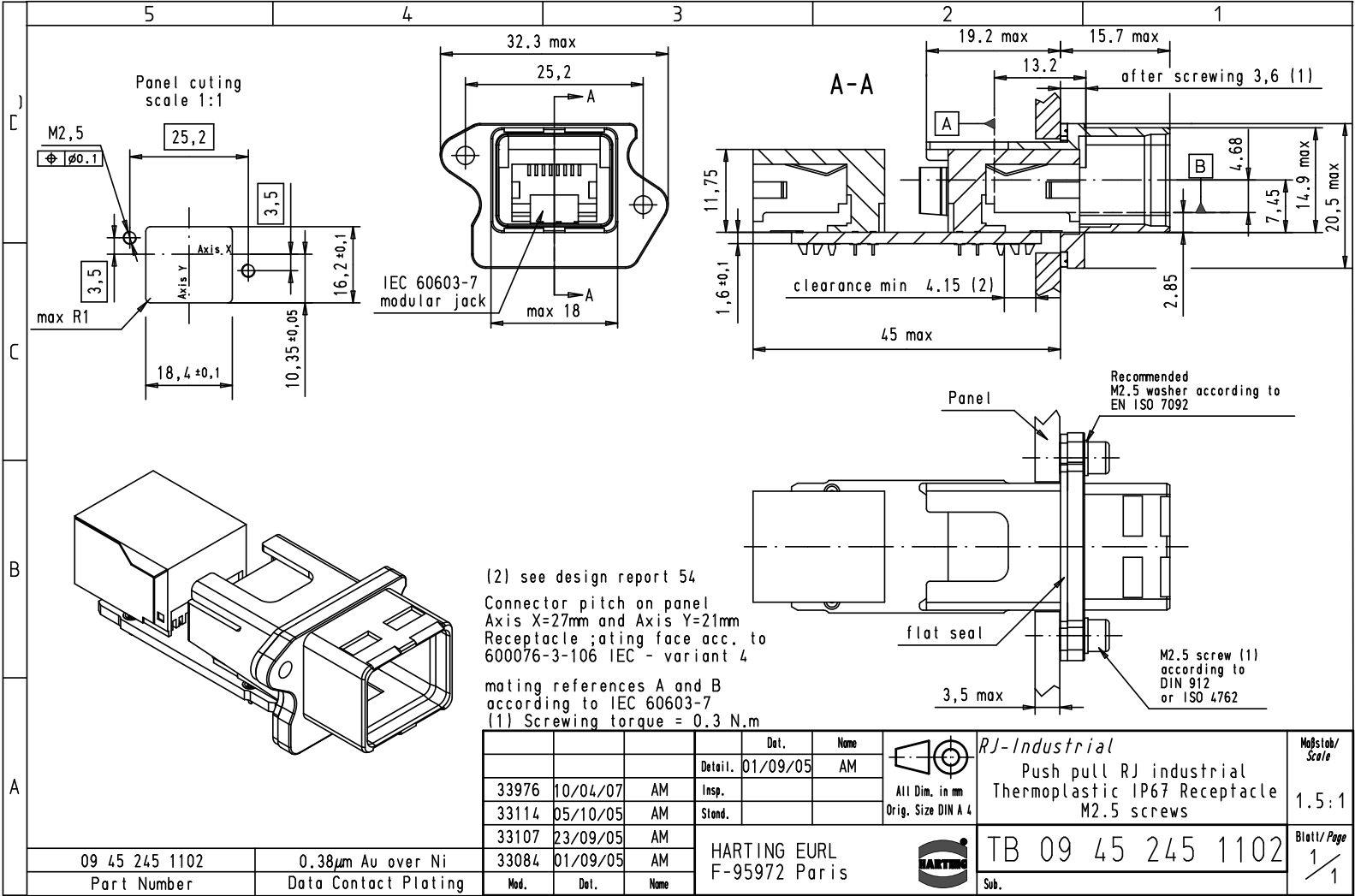




Alle Rechte vorbehalten/ All rights reserved



(2) see design report 54
 Connector pitch on panel
 Axis X=27mm and Axis Y=21mm
 Receptacle mating face acc. to
 600076-3-106 IEC - variant 4
 mating references A and B
 according to IEC 60603-7
 (1) Screwing torque = 0.3 N.m

			Det.	Name	 RJ-Industrial Push pull RJ industrial Thermoplastic IP67 Receptacle M2.5 screws	Maßstab/ Scale		
		Detail.	01/09/05	AM		All Dim. in mm Orig. Size DIN A 4	1.5:1	
	33976	10/04/07	AM	Insp.				
	33114	05/10/05	AM	Stand.				
	33107	23/09/05	AM					
	33084	01/09/05	AM					
09 45 245 1102	0.38µm Au over Ni	HARTING EURL		 F-95972 Paris	TB 09 45 245 1102	Blatt/ Page		
Part Number	Data Contact Plating	Mod.	Det.		Name	Sub.	1/1	