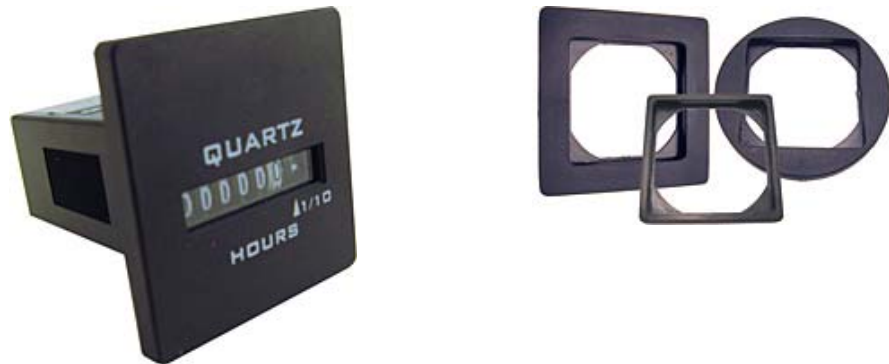


**Item # 722-0030 VAC, 48mm Square Clip**

**VAC, 48mm Square Clip**

This hour meter is available with a choice of three panel adapters for use with 55mm square, 72mm square, or 72mm round panel openings.



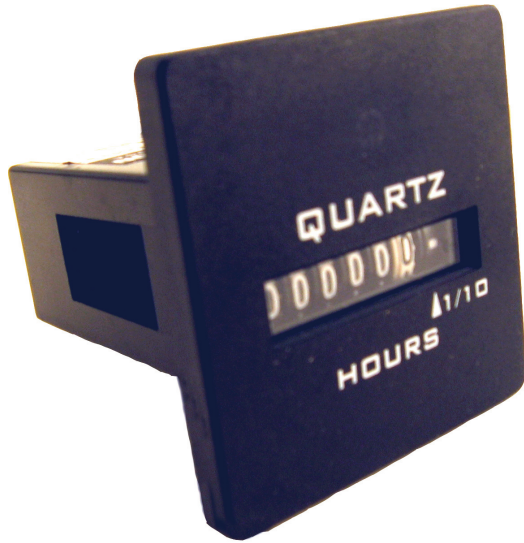
---

**Specifications**

---

<b>Model No.</b>	722
<b>Mounting</b>	Clip
<b>Reset</b>	Non-reset
<b>Termination</b>	1/4 inch (6.3mm) spade terminals
<b>Display</b>	6 - digits, 0.125 inch (3.2mm) 99999.9 Hours - white on black Tenths - red on white
<b>Display Height</b>	0.125 Inch
<b>Display Height</b>	3.2 mm
<b>No. of Digits</b>	6
<b>Records</b>	99999.9 hours

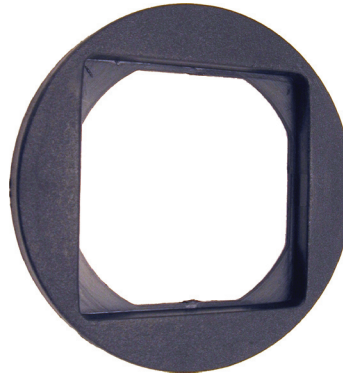
<b>Accuracy</b>	± 0.02 over entire range
<b>Input Voltage</b>	90-240 VAC 50-60 Hz ± 10%
<b>Power</b>	Less than 0.6 watts
<b>Operating Temperature</b>	-40 to +185 °F
<b>Operating Temperature</b>	-40 to +85 °C
<b>Case Material</b>	Black Polymer
<b>Weight</b>	2 oz
<b>Weight</b>	57 gm
<b>Panel Cutout</b>	45 mm
<b>Approvals</b>	UL/CSA Recognized, CE Compliant
<b>Environmental Protection</b>	Totally sealed
<b>Vibration</b>	10-75 Hz
<b>Stock Availability</b>	Yes
<b>Max. Panel Thickness</b>	.401 Inch
<b>Max. Panel Thickness</b>	10.20 mm
<b>Accessory</b>	1662-024 (72mm Square Panel Adapter) 1662-026 (55mm Square Panel Adapter) 1662-025 (72mm Round Panel Adapter)



722-0030/732-0030, 1.89" [48mm] Square



Square Panel, 2.84" [72mm]



Round Panel, 2.84" [72mm]



Square Panel, 2.2" [55mm]

Description

The Redington Model 722 provides an AC Hour Meter with an operating range of 90-264VAC 50/60 Hz. You no longer require two separate meters, one for 115VAC and one for 230VAC. The Redington Model 732 provides a DC Hour Meter with an operating range of 10-80VDC. 732 Models are protected for 2x battery voltage and/or reverse polarity. A quartz time base insures accurate long-term time keeping while the sealed case protects against the environment and provides years of reliable service. Models have a square front panel dimension of 1.90" [48mm x 48mm]. Three adapter panels are also available for fitting additional panel dimensions.

Features

- 722 Operating voltage 90-264VAC 50/60Hz
- 732 Operating voltage 10-80VDC
- Totally Sealed
- UL/cUL Recognized, CE & RoHS Compliant
- 6 Figure, 99999.9

Options

- Wire leads
- Terminals up, down, straight
- Available adapter panels

Specifications

**Figures:** 6 - digits, 0.14" [3.6mm] 99999.9  
Hours and indicator - white on black  
Decimal - black on white

**Reset:** Non-reset

**722 Voltage:** 90-264VAC 50/60Hz

**732 Voltage:** 10-80VDC 50/60Hz

**Power:** 1 watt max.

**Mounting:** Clip (with optional adapter panels)

**Termination:** ¼" [6.3mm] spade terminals

**Weight:** ~2 oz [57 g]

**Accuracy:** ± 0.02% over entire range

**Case Material:** Black polymer

**Lens Material:** Polymer

**Agency Approvals:** UL/cUL Recognized, CE, RoHS, SAE J1378

**732 Overvoltage & Reverse Polarity:** Protected for 2x battery voltage/reverse polarity

**Environmental:** Totally Sealed

**Temperature:** -40°F to +185°F [-40°C to + 85°C]

**Humidity:** 95% (SAE J1378)

**Vibration:** 10-80 Hz, 20g max. (SAE J1378)

**Shock:** 55g @ 9 - 13msec (SAE J1378)

Models

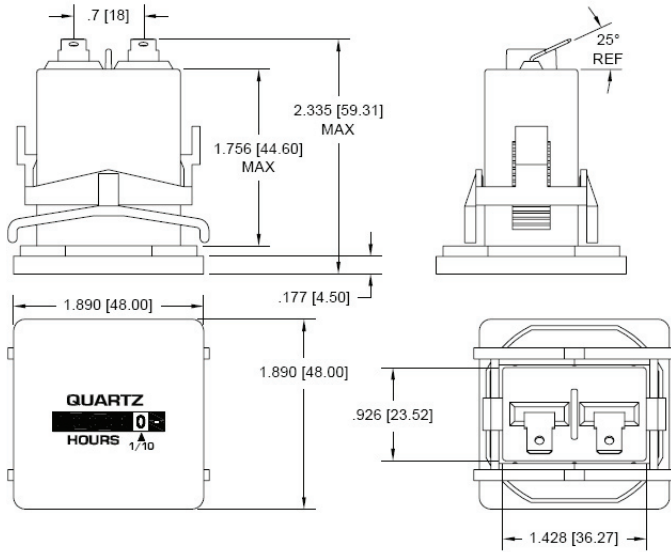
Description

722-0030	Square Panel mount with Clip, 90-264VAC 50/60Hz, ¼" [6.3mm] spade terminals, hours & 1/10's
732-0030	Square Panel mount with Clip, 10-80VDC, ¼" [6.3mm] spade terminals, hours & 1/10's
1662-026	Square Panel, 2.2" [55mm]
1662-024	Square Panel, 2.84" [72mm]
1662-025	Round Panel, 2.84" [72mm]

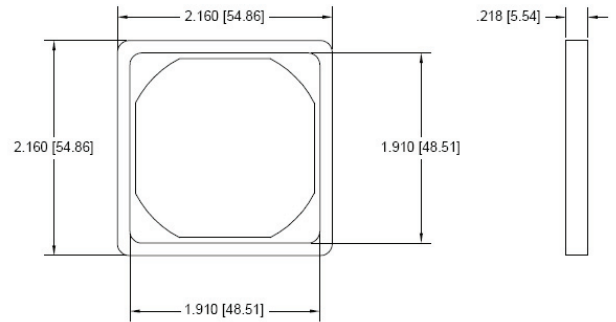
\* All items are normally in factory stock



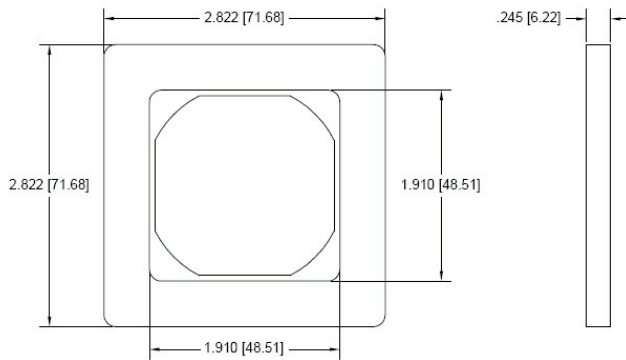
Dimensions



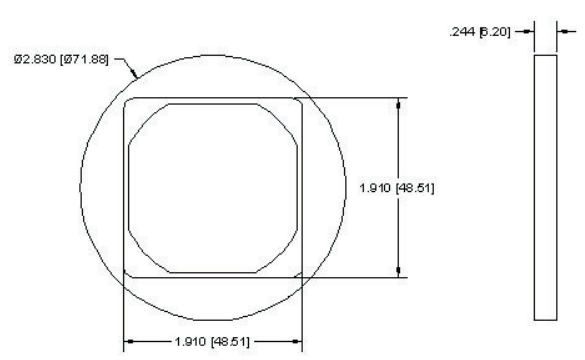
722-0030/732-0030



Square Panel, 2.2" [55mm]



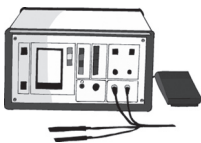
Square Panel, 2.84" [72mm]



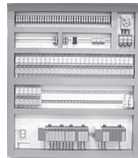
Round Panel, 2.84" [72mm]

Model 722 Applications

Medical Equipment



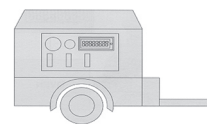
Control Panels



Test Equipment



Generators



Office Equipment



Model 732 Applications

Material Handling



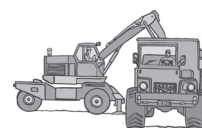
Farm Equipment



Outdoor Power Equipment



Construction Equipment



Utility Vehicles

